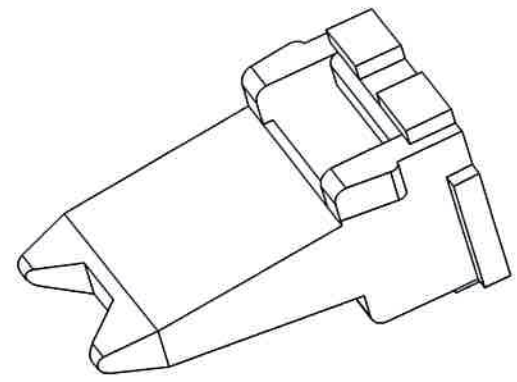
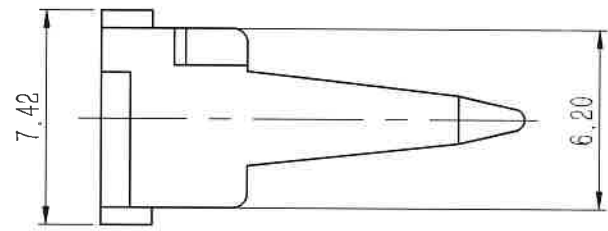
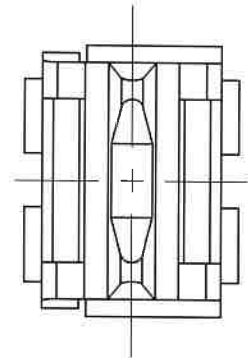
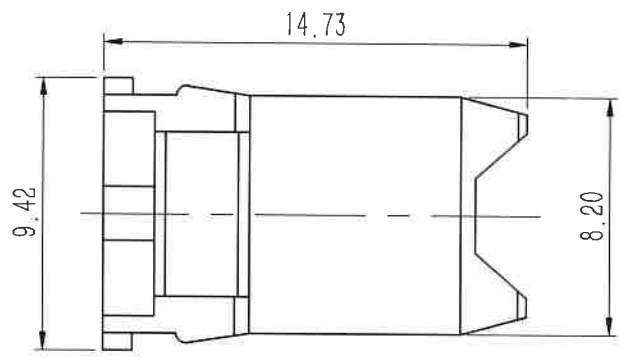
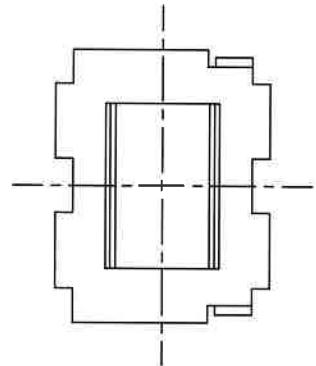


REV	DESCRIPTION	DESIGN	APPROVAL	DATE
A0	NEW VERSION	Colmye	Jerry	



广东济德精密电子有限公司
 受控文件
 日期: 2021年10月18日

NOTES:

1. Material/材质: See Table-1/见表-1;
2. The surface of the product shall be free of excessive plastic, lack of plastic, mottle, etc;
产品表面不能有多胶、缺胶、杂色等现象;
3. Harmful material please follow RoHS/产品需符合RoHS标准.
4. Applicable housing/适配塑壳952-041X-0XX-X
5. Order information/编码原则: 951-0413-001

Table-1

NO	P/N	Material/材质	Color/颜色
1	951-0413-001	PBT, UL94 V-0	Green/绿色

X, ± X, ° ± 5° .X ± .X" ± 3° .XX ± 0.64 .XX" ± / .XXX ± .XXX" ± / UNITS: mm	Guangdong JiDe Precision Electronics Co., Ltd 广东济德精密电子有限公司							
	TITLE:	PART NO.						
	APPD: <i>Jerry</i>	DWG NO.						
	CHKD: <i>Ruf</i>							
The information in this document is property of JIDC company and should not be copied or reproduced in any other way, without written permission.	DRAW: <i>Colmye</i>	<table border="1" style="float: right;"> <tr> <th>SCALE</th> <th>SHEET</th> <th>REV.</th> </tr> <tr> <td>4:1</td> <td>1/1</td> <td>A0</td> </tr> </table>	SCALE	SHEET	REV.	4:1	1/1	A0
SCALE	SHEET	REV.						
4:1	1/1	A0						