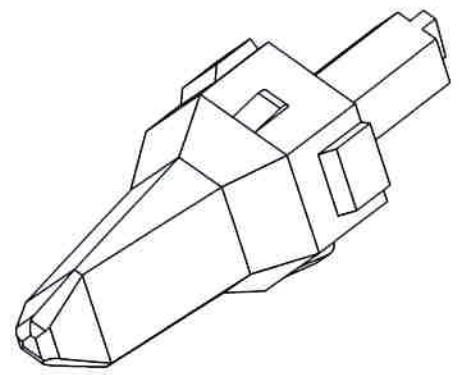
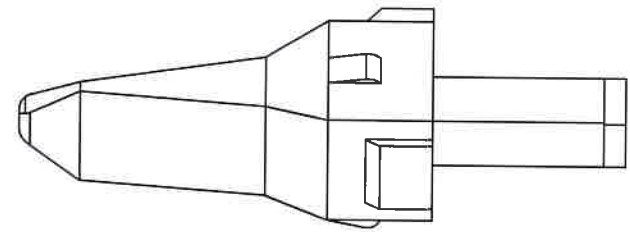
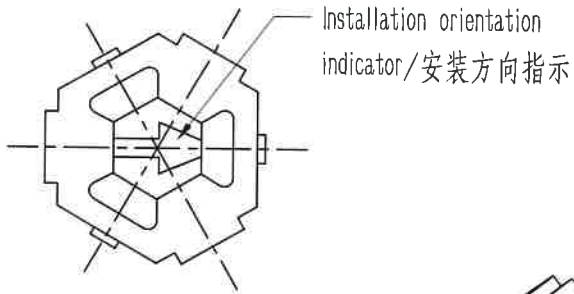
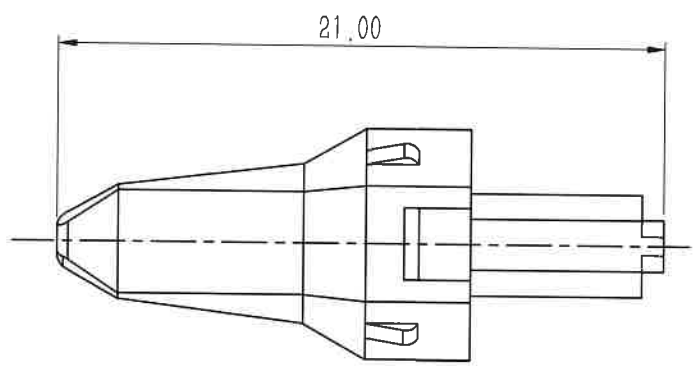


REV	DESCRIPTION	DESIGN	APPROVAL	DATE
A0	NEW VERSION	Colinye	Jerry	


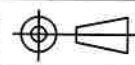


广东济德精密电子有限公司
 受控文件
 日期: 2021 年 10 月 18 日

- NOTES:
1. Material/材质: See Table-1/见表-1;
 2. The surface of the product shall be free of excessive plastic, lack of plastic, mottle, etc;
产品表面不能有多胶、缺胶、杂色等现象;
 3. Harmful material please follow RoHS/产品需符合RoHS标准.
 4. Applicable housing/适配塑壳 952-031X-0XX-X
 5. Order information/编码原则: 951-0313-001

Table-1

NO	P/N	Material/材质	Color/颜色
1	951-0313-001	PBT, UL94 V-0	Green/绿色

<table border="1"> <tr> <td>X. ±</td> <td>X.° ± 5°</td> </tr> <tr> <td>.X ±</td> <td>.X° ± 3°</td> </tr> <tr> <td>.XX ± 0.04</td> <td>.XX° ± /</td> </tr> <tr> <td>.XXX ±</td> <td>.XXX° ± /</td> </tr> <tr> <td>UNITS:</td> <td>mm.</td> </tr> </table>	X. ±	X.° ± 5°	.X ±	.X° ± 3°	.XX ± 0.04	.XX° ± /	.XXX ±	.XXX° ± /	UNITS:	mm.	 <p>Guangdong JiDe Precision Electronics Co., Ltd 广东济德精密电子有限公司</p>
X. ±	X.° ± 5°										
.X ±	.X° ± 3°										
.XX ± 0.04	.XX° ± /										
.XXX ±	.XXX° ± /										
UNITS:	mm.										
The information in this document is property of JIDC company and should not be copied or reproduced in any other way, without written permission.	TITLE: 03Pin MALE TERMINAL RETAINER PART NO. 951-0313-001										
	APPD: Jerry CHKD: Ray DRAW: Colinye DWG NO. C-951-0313-001										
											
<table border="1"> <tr> <th>SCALE</th> <th>SHEET</th> <th>REV.</th> </tr> <tr> <td>4:1</td> <td>1/1</td> <td>A0</td> </tr> </table>		SCALE	SHEET	REV.	4:1	1/1	A0				
SCALE	SHEET	REV.									
4:1	1/1	A0									