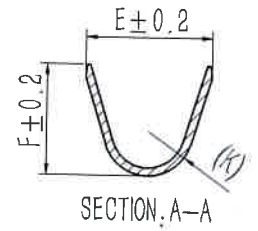
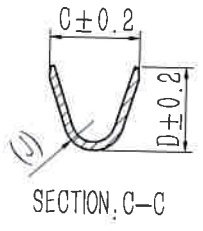
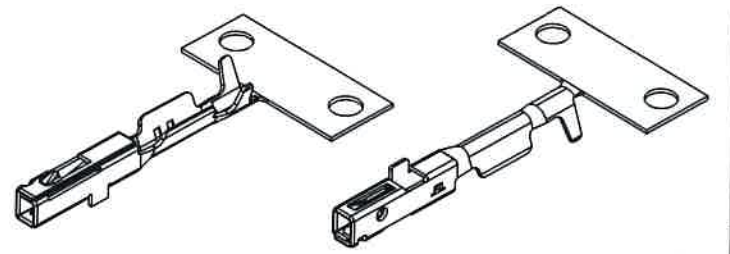
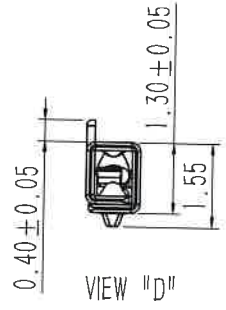
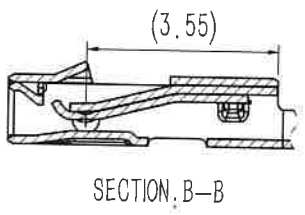
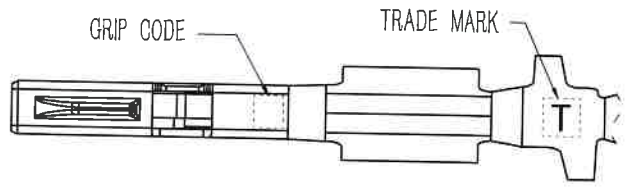
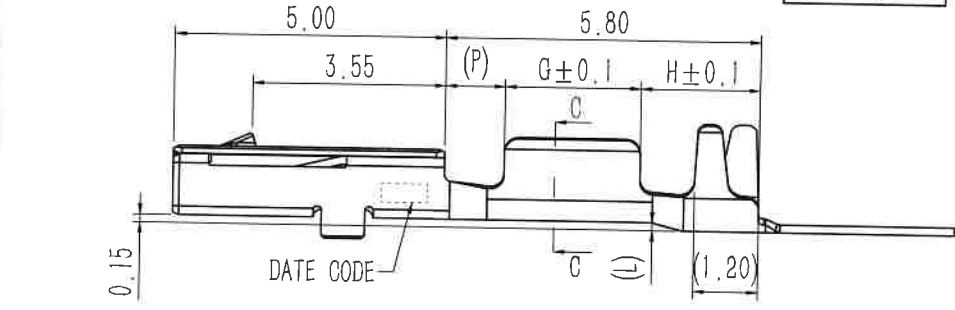
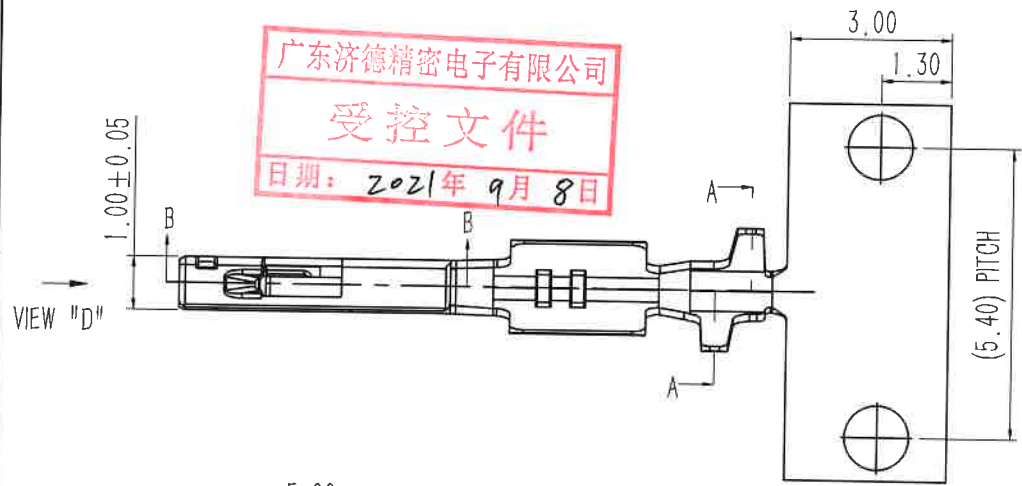


广东济德精密电子有限公司
受控文件
 日期: 2021年9月8日



REV	DESCRIPTION	DESIGN	APPROVAL	DATE
A0	NEW VERSION	Colinye	Jerry	

- NOTES:
- Material/材质: Copper Alloy/铜合金, T=0.15mm;
 - Finish/表面处理: See Notes-6/见附注-6;
 - Wire Size Range/线规: See table-1/见表-1;
 - Contact surface should not have burrs, Other areas burr 0.10mm Max.
端子接触面不能有毛刺, 其他区域毛刺不能超过0.10mm;
 - Harmful material please follow RoHS/产品需符合RoHS标准;
 - Order Information/编码原则: 922-050-X14X

See table-1
 "1": Tin-Plated/镀锡
 "5": Gold-Plated/镀金

Table-1

P/N	C	D	E	F	J	K	G	H	P	L	Wire Size Range /适用铜线径	O.D./外径
922-050-1141	1.65	1.65	2.35	2.35	0.40	0.68	2.5	2.2	1.1	0.15	0.35mm ²	φ 1.40mm
922-050-5141												
922-050-1142	1.32	1.32	1.90	1.90	0.24	0.41	2.5	2.2	1.1	0.00	0.13mm ²	φ 1.05 mm
922-050-5142												
922-050-1143	1.65	1.65	2.25	2.25	0.45	0.47	2.0	2.4	1.4	0.00	0.22mm ²	φ 1.05 mm
922-050-5143												

X ± 0.35	X° ± 1°
.X ± 0.25	.X° ± 0.5°
.XX ± 0.15	.XX° ± /
.XXX ± 0.05	.XXX° ± /
UNITS:	mm

JDC Guangdong JiDe Precision Electronics Co., Ltd
 广东济德精密电子有限公司

TITLE: 0.50mm UNSEALED FEMALE TERMINAL PART NO: 922-050-X14X

APPD: Jerry DWG NO: C-922-050-X14X

CHKD: Ray

DRAW: Colinye

SCALE	SHEET	REV.
N/A	1/1	A0

The information in this document is property of JDC company and should not be copied or reproduced in any other way, without written permission.