

TPS6507xEVM

This user's guide describes the characteristics, operation, and use of the TPS6507xEVM-430 evaluation module (EVM). The TPS6507xEVM-430 is a fully assembled and tested platform for evaluating the performance of the [TPS6507x](#) single-chip power management devices. This document includes schematic diagrams, a printed circuit board (PCB) layout, bill of materials, and test data. Throughout this document, the abbreviations *EVM*, *TPS6507xEVM*, and the term *evaluation module* are synonymous with the TPS6507xEVM-430 unless otherwise noted.

Contents

1	Introduction	2
2	TPS6507xEVM Electrical Performance Specifications	4
3	TPS6507xEVM Schematic	6
4	Connector and Test Point Descriptions	8
5	Setup	12
6	EVM Assembly Drawings and Layout	13
7	Bill of Materials	19

List of Figures

1	TPS6507xEVM Schematic (Sheet 1).....	6
2	TPS6507xEVM Schematic (Sheet 2).....	7
3	TPS6507xEVM Hardware Connection.....	12
4	TPS6507xEVM Component Placement (Viewed from Top)	13
5	TPS6507xEVM Silkscreen (Viewed from Top)	14
6	TPS6507xEVM Top Copper (Viewed from Top)	15
7	TPS6507xEVM Bottom Copper (X-Ray View from Top)	16
8	TPS6507xEVM Internal 1 (X-Ray View from Top)	17
9	TPS6507xEVM Internal 2 (X-Ray View from Top)	18

List of Tables

1	TPS6507xEVM Ordering Information	3
2	TPS6507xEVM Performance Characteristics	4
3	TPS65070EVM-430 Bill of Materials	19

OMAP is a trademark of Texas Instruments.
 Microsoft, Windows are registered trademarks of Microsoft Corporation.
 I²C is a trademark of NXP Semiconductors.
 All other trademarks are the property of their respective owners.

1 Introduction

The TPS6507x are a series of single-chip power management ICs for portable applications consisting of a battery charger with Power Path management for a single lithium-ion (Li-Ion) or lithium-polymer (Li-Polymer) cell. The charger can be supplied either by a USB port on the device USB pin or by a dc voltage from a wall adapter connected to the device AC pin. Three highly-efficient, 2.25-MHz step-down converters provide the core voltage, memory, and input/output (I/O) voltage in a processor-based system. The step-down converters enter a low-power mode under light loads for maximum efficiency across the widest possible range of load currents. In addition, there are two 200-mA low-dropout regulators (LDOs). For low-noise applications, these devices can be forced into fixed-frequency PWM using the I²C™ interface. The I²C interface allows the user to adjust various settings of the charger, the Power Path, the dc-to-dc converters, and the LDOs. The step-down converters allow the use of small inductors and capacitors in order to achieve a small total solution size.

1.1 Features

- Battery charger with Power Path management
- Up to 2.0-A output current on the Power Path
- Three step-down converters
- Two LDOs (200-mA output current)
- wLED boost converter
- Up to 25 mA per string with internal current sink
- 10-Bit analog-to-digital converter (ADC)/Touch screen interface
- I²C-compatible interface

1.2 Applications

- Portable navigation systems
- PDAs, pocket PCs
- OMAP™ and low-power DSP supply

1.3 Requirements

In order to operate this EVM properly, the related software and hardware must be connected and properly configured. All components and connectors are installed on the EVM as shipped, except for the host computer and the dc power supply.

The most current version of the software must be downloaded from the TI website at www.ti.com.

1.3.1 Software

To download the software that is necessary to operate the TPS6507xEVM, check the [TPS6507x product folder](#) on the TI Web site.

1.3.2 Host Computer

A computer with an available USB port is required to operate this EVM. The TPS6507xEVM software runs on the personal computer and communicates with the EVM via the PC USB port and the USB to GPIO interface. The PC must meet these minimum system requirements:

- Microsoft® Windows® 2000 or XP operating system
- Available USB port
- Minimum of 30 MB of free hard disk space (100 MB recommended)
- Minimum of 256 MB of RAM

1.3.3 Power Supply

A dc power supply capable of delivering 5 V at 3 A is required to operate this EVM.

1.3.4 Ordering Options

[Table 1](#) provides the ordering information for the various EVM options.

Table 1. TPS6507xEVM Ordering Information

Orderable EVM Number	Device Part Number	Output Voltage	Output Voltage	Output Current	Supported Processor
		DCDC1 / DCDC2 / DCDC3	LDO1 / LDO2	DCDC1 / DCDC2 / DCDC3	
TPS65070EVM-430	TPS65070	3.3 V 1.8 V / 3.3 V 1.0 V / 1.2 V	1.8 V / 1.2 V	0.6 A / 1.5 A / 1.5 A	OMAP-L1x8
TPS65072EVM-430	TPS65072	1.8 V / 1.2 V	1.2 V / 1.2 V	0.6 A / 0.6 A / 0.6 A	Atlas IV
TPS65073EVM-430	TPS65073	1.8 V 1.2 V / 1.8 V 1.2 V / 1.35 V	1.8 V / 1.8 V	0.6 A / 0.6 A / 1.5 A	OMAP35xx
TPS650731EVM-430	TPS650731	1.8 V 1.2 V / 1.8 V 1.2 V / 1.35 V	1.8 V / 1.8 V	0.6 A / 0.6 A / 1.5 A	OMAP35xx
TPS650732EVM-430	TPS650732	1.8 V 1.8 V / 3.3 V 1.2 V / 1.35 V	1.8 V / 1.8 V	0.6 A / 0.6 A / 1.5 A	OMAP3505

2 TPS6507xEVM Electrical Performance Specifications

Table 2 summarizes the TPS65070EVM-430 performance specifications.

Table 2. TPS6507xEVM Performance Characteristics

Parameter	Symbol	Notes and Conditions	Min	Nom	Max	Units
Input Characteristics						
Input Voltage, AC	V_{AC}		4.3		17	V
Input Voltage, USB	V_{USB}		4.3		5.8	V
Input Voltage, AC, USB charging			4.3		5.8	V
Input Voltage, DCDC1, DCDC2, DCDC3	V_{IN_DCDC}		2.8		6.3 ⁽¹⁾	V
Input Voltage, LDO1, LDO2	V_{IN_LDO}		1.8		6.3 ⁽¹⁾	V
Output Characteristics						
DCDC1						
Default Output Voltage DCDC1	V_{OUT_DCDC1}	TPS65070, TPS65072		3.3		V
Default Output Voltage DCDC1	V_{OUT_DCDC1}	TPS65073, TPS650731, TPS650732		1.8		V
Output Voltage Range DCDC1		Adjustable with I ² C	0.725		3.3V or V_{IN_DCDC} (whichever is less)	V
Output Current DCDC1		V_{IN} = Min to max		600		mA
DCDC2						
Default Output Voltage DCDC2	V_{OUT_DCDC2}	TPS65070, TPS650732	DEFDCDC2 = Low	1.8		V
			DEFDCDC2 = High	3.3		V
	V_{OUT_DCDC2}	TPS65072	DEFDCDC2 = Low	1.8		V
			DEFDCDC2 = High	2.5		V
	V_{OUT_DCDC2}	TPS65073, TPS650731	DEFDCDC2 = Low	1.2		V
			DEFDCDC2 = High	1.8		V
Output Voltage Range DCDC2		Adjustable with I ² C	0.725		3.3V or V_{IN_DCDC} (whichever is less)	V
Output Current DCDC2		TPS65072, TPS65073, TPS650731, TPS650732		600		mA
		TPS65070		1500		mA
DCDC3						
Default Output Voltage DCDC3	V_{OUT_DCDC3}	TPS65070	DEFDCDC3 = Low	1		V
			DEFDCDC3 = High	1.2		V
	V_{OUT_DCDC3}	TPS65072	DEFDCDC3 = Low	1.2		V
			DEFDCDC3 = High	1.4		V
	V_{OUT_DCDC3}	TPS65073, TPS650731, TPS650732	DEFDCDC3 = Low	1.2		V
			DEFDCDC3 = High	1.35		V
Output Current DCDC2		TPS65072		600		mA
		TPS65070, TPS65073, TPS650731, TPS650732		1500		mA

⁽¹⁾ 6.3 V or VSYS, whichever is less.

Table 2. TPS6507xEVM Performance Characteristics (continued)

Parameter	Symbol	Notes and Conditions	Min	Nom	Max	Units
LDO1, LDO2						
Default Output Voltage LDO1, LDO2		TPS65070		1.8		mA
		TPS65072		1.2		mA
		TPS65073, TPS650731, TPS650732		1.8		mA
Default Output Voltage LDO2, LDO2		TPS65070		1.2		mA
		TPS65072		1.2		mA
		TPS65073, TPS650731, TPS650732		1.8		mA
Output Current LDO1, LDO2					200	mA
wLED Boost Converter and Current Sinks						
Switching frequency wLED boost				1125		kHz
Input voltage at I_{SINK1} , I_{SINK2}					16	V
Internal overvoltage protection			35	37	39	V
Maximum boost factor (V_{IN}/V_{OUT})			9	10		V
PWM dimming resolution				1		%
Tolerance between current sinks I_{SINK1} , I_{SINK2}				5		%
ADC Converter						
Input voltage range AD_IN1 to AD_IN4			0		2.25	V
ADC resolution				10		Bits
Differential linearity error				± 1		LSB
Offset error				1	5	LSB
Gain error				± 8		LSB
Sampling time				220		μ s
Conversion time				19		μ s
Reference voltage on BYPASS			-1	2.26	+1	%
Power Path						
Minimum battery voltage	V_{BATMIN}		2.75			V
Input overvoltage protection	$V_{(OVP)}$		5.8	6.0	6.3	V
Switching from AC to BAT	$T_{SW(ACBAT)}$				200	μ s
Switching from USB to BAT	$T_{SW(USB BAT)}$				200	μ s
Switching from AC to USB	$T_{SW(ACUSB)}$				200	μ s
SYS power-up delay		From power applied to start of power-up sequence		11		ms
Dropout voltage AC to SYS		$I_{LIMITAC} = 2500$ mA, $I_{SYS} = 1000$ mA		150		mV
Dropout voltage USB to SYS		$I_{LIMITUSB} = 13000$ mA, $I_{SYS} = 800$ mA		160		mV
Dropout voltage USB to SYS		$V_{BAT} = 3.0$ V, $I_{SYS} = 1000$ mA		85	100	mV
Charger						
Battery discharge current					2	A
Battery charge voltage		Set in internal register	4.1		4.25	V
Battery fast-charge current range		Set with external resistor	100		1500	mA
Pre-charge current	I_{PRECHG}		$0.08 \times I_{CHG}$	$0.10 \times I_{CHG}$	$0.12 \times I_{CHG}$	
Charge termination current	I_{TERM}		$0.08 \times I_{CHG}$	$0.10 \times I_{CHG}$	$0.12 \times I_{CHG}$	
Switching frequency	f_{SW}		1950	2250	2550	kHz

3 TPS6507xEVM Schematic

Figure 1 and Figure 2 show the two sheets of the TPS65070EVM-430 schematic.

NOTE: These diagrams are provided for reference only. See Table 3, the Bill of Materials, for specific component values.

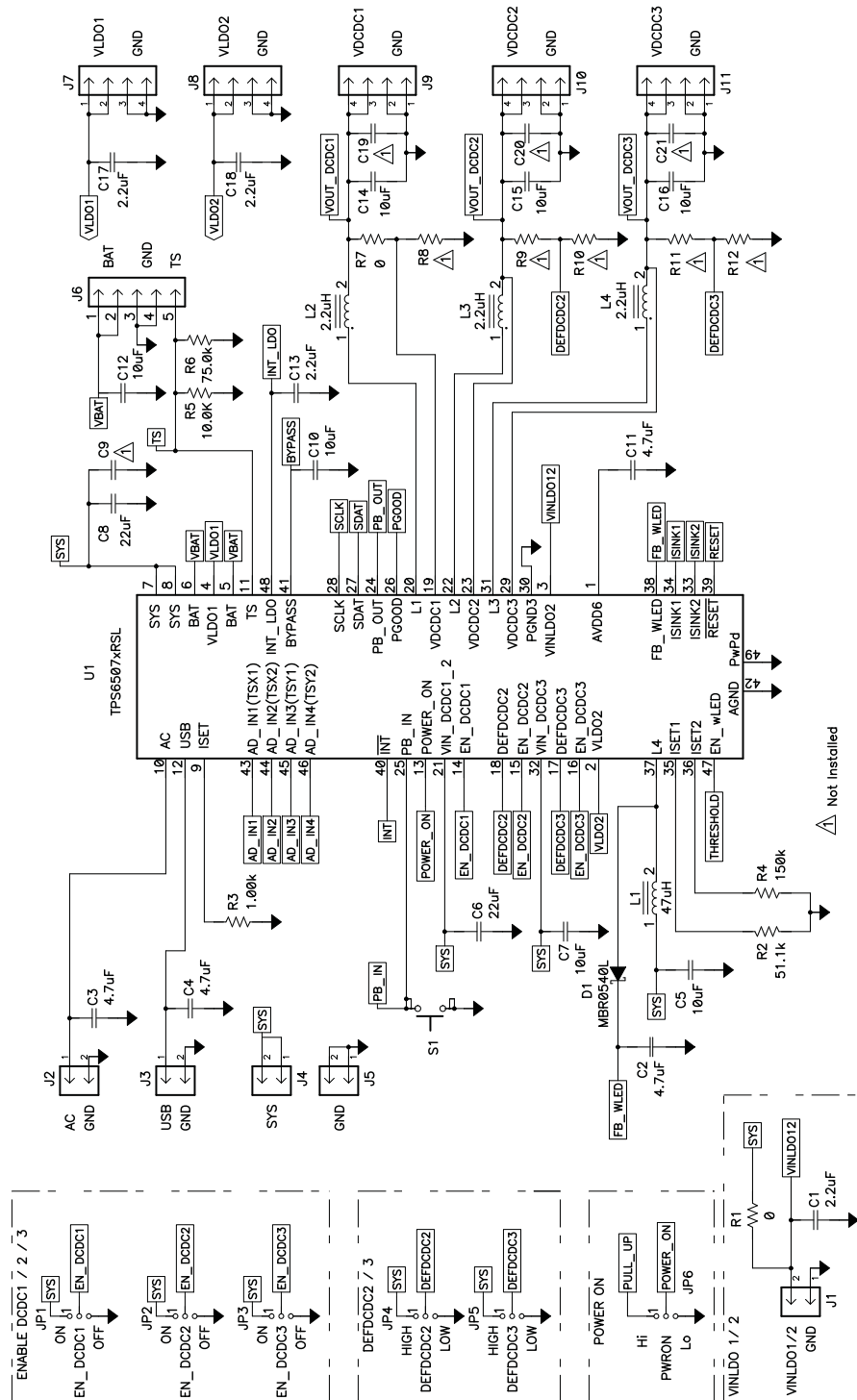


Figure 1. TPS6507xEVM Schematic (Sheet 1)

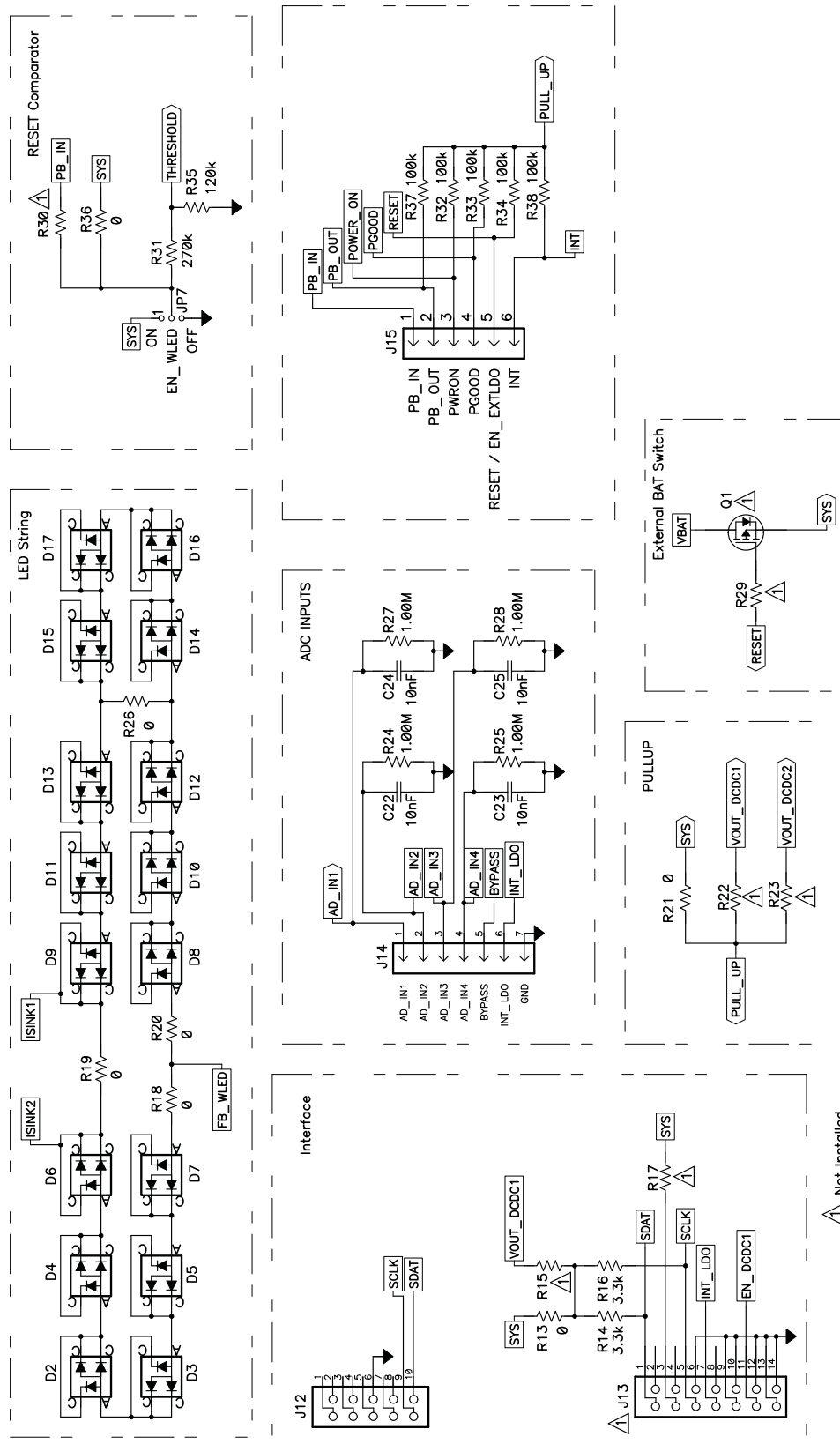


Figure 2. TPS6507xEVM Schematic (Sheet 2)

4 Connector and Test Point Descriptions

4.1 Input / Output Connector Descriptions

4.1.1 J1: VINLDO1, 2, GND

J1 pin 1 is the input supply for LDO1 and LDO2. In the default configuration, VINLDO1,2 is connected to SYS with R1. To connect VINLDO1,2 to any other voltage source, remove R1 and connect the VINLDO1,2 supply between J1 pin 1 (positive connection) and J1 pin 2 (GND connection).

4.1.2 J2: AC, GND

A power supply can be connected between J2 pin 1 (AC) and J2 pin 2 (GND). The AC pin is one of the EVM inputs. Note that the voltage rating on the AC pin ranges from 4.3 V up to 17 V. The allowable voltage range on both the AC and USB pins for charging is from 4.3 V up to 5.8 V. If the voltage on the AC pin exceeds 5.8 V, the charger goes into overvoltage lockout.

The input current on the Power Path input AC pin is current-limited. The current limit can be changed in User Register PPATH1 (01h). The default input current limit is set to 2500 mA. For more information, refer to the [respective device data sheet](#), available for download at www.ti.com.

4.1.3 J3: USB, GND

Connect your power supply positive terminal to J3 pin 1. Connect your power supply negative terminal to J3 pin 2. Note that the voltage rating on the USB input ranges from 4.3 V up to 17 V. The allowable voltage range on both the AC and USB pins for charging is from 4.3 V up to 5.8 V. If the voltage on the AC pin exceeds 5.8 V, the charger goes into overvoltage lockout.

The input current on the Power Path input USB pin is current-limited. The current limit can be changed in User Register PPATH1 (01h). The default input current limit is set to 500 mA. For more information, refer to the [respective device data sheet](#), available for download at www.ti.com.

4.1.4 J4: SYS

J4 is connected to the output of the Power Path (SYS). When the TPS6507x device is turned off and there is no voltage source applied at either the AC or USB pins, the SYS output is disconnected internally from the battery. When the TPS6507x is turned on by pulling PB_IN low, the voltage at SYS ramps up. If there is no voltage applied at either the AC or USB pin, SYS remains connected to VBAT internally. If there is a voltage applied at either the AC or USB pin, SYS is connected to this input. If both input supplies are connected, the AC input has priority. The voltage at SYS is not regulated.

4.1.5 J5: GND

J5 is connected to GND.

4.1.6 J6: VBAT, GND, TS

Connect your single-cell Li-Ion or Li-Polymer cell positive connection to J6 pins 1 and 2. Connect your battery negative connection between J6 pins 3 and 4. If your battery provides a thermistor (NTC) connection, you can connect the thermistor to J6 pin 5. Note that the factory default EVM configuration includes a 10-k Ω resistor connected from TS to GND (R5). If you wish to use the battery internal resistor, R5 must first be removed. The thermistor type is defined in User Register CHGCONFIG1 with the bit SENSOR TYPE. Two different thermistor types can be selected: 100 k Ω and 10 k Ω ; the default selection is 10 k Ω .

A resistor in parallel to the thermistor (NTC) is required for linearization (see the [TPS6507x data sheet](#) for details). Note that the factory default EVM configuration uses a 75-k Ω resistor for linearization (R6).

4.1.7 J7: VLDO1, GND

J7 pins 1 and 2 are connected to the positive output of linear regulator LDO1. J7 pins 2 and 4 are the GND connection for LDO1. A load can be connected between J7 pins 1 and 2 (VLDO1) and J13 pins 3 and 4 (GND).

LDO1 is able to supply a load current up to 200 mA.

4.1.8 J8: VLDO2, GND

J8 pins 1 and 2 are connected to the positive output of linear regulator LDO2. J8 pins 2 and 4 are the GND connection for LDO2. A load can be connected between J8 pins 1 and 2 (VLDO2) and J8 pins 3 and 4 (GND).

LDO2 is able to supply a load current up to 200 mA.

4.1.9 J9: VDCDC1, GND

J9 pins 3 and 4 are connected to the positive output of the step-down converter DCDC1. J9 pins 1 and 2 are the GND connection of DCDC1. A load can be connected between J9 pins 3 and 4 (VDCDC1) and J9 pins 1 and 2 (GND).

Refer to [Table 2](#) for information on the maximum output current and default output voltage of DCDC1.

4.1.10 J10: VDCDC2, GND

J10 pins 3 and 4 are connected to the positive output of the step-down converter DCDC2. J10 pins 1 and 2 are the GND connection of DCDC2. A load can be connected between J10 pins 3 and 4 (VDCDC2) and J10 pins 1 and 2 (GND).

Refer to [Table 2](#) for information on the maximum output current and default output voltage of DCDC2.

4.1.11 J11: VDCDC3, GND

J11 pins 3 and 4 are the positive output of the step-down converter DCDC3. J11 pins 1 and 2 are the GND connection of DCDC3. A load can be connected between J11 pins 3 and 4 (VDCDC3) and J11 pins 1 and 2 (GND).

Refer to [Table 2](#) for information on the maximum output current and default output voltage of DCDC3.

4.1.12 J12: I²C Interface

J12 is a 10-pin interface connector to connect to the I²C interface.

4.1.13 J13: I²C Interface

J13 is a 14-pin interface connector to connect to the I²C interface. This connector is not assembled in the factory default EVM setup.

4.1.14 J14: AD_IN1–4, BYPASS, INT_LDO, GND

AD_IN1, AD_IN2, AD_IN3, and AD_IN4 are the external inputs of the 10-bit ADC. Connect an external voltage source or touch screen (if configured as touch screen controller) to these pins. See the [respective device data sheet](#) for additional information on the touch screen interface and ADC input configuration.

J14 pin 5 is connected to BYPASS. BYPASS can be used as an internal reference for the ADC. A 10- μ F capacitor is connected from BYPASS to GND (C10).

J14 pin 6 is connected to the output of the internal LDO, INT_LDO. This LDO provides power for the touch screen controller (TSREF). A 2.2- μ F capacitor is connected from INT_LDO to GND (C13).

4.1.15 J15: PB_IN, PB_OUT, POWER_ON, PGOOD, RESET/EN_EXTLDO, INT

J15, pin 1: PB_IN

J15 pin 1 is connected to PB_IN. Pulling PB_IN low starts up all dc-dc converters and LDOs according to the internal power-up sequence. Refer to Table 9 in the data sheet ([SLVS950](#)) for information on the internal power-up sequence. Note that if PB_IN is released high, all dc-dc converters and LDOs shut down if the POWER_ON input is low. If POWER_ON is pulled high before PB_IN is released high again, the dc-dc converters and LDOs remain on. Note that PB_IN is also connected to S1. PB_IN is pulled up to AVDD6 with an internal 50-kΩ pull-up resistor. Pressing the Push-Button S1 pulls PB_IN low.

J15, pin 2: PB_OUT

J15 pin 2 is connected to the open drain output PB_OUT. PB_OUT is driven by the status of PB_IN. If PB_IN is low, PB_OUT is also low. If PB_IN is high, PB_OUT is driven to a high impedance state. PB_OUT is pulled up to a pull-up voltage with resistor R37. In the factory default configuration, VSYS is selected as the pull-up voltage. In addition, VOUT_DCDC1 and VOUT_DCDC2 can be configured as pull-up voltages with R22 and R23, respectively.

J15, pin 3: POWER_ON

The POWER_ON pin must be pulled high before PB_IN is released high again to keep the dc-dc converters and LDOs enabled once PB_IN is released high. Pulling POWER_ON low disables all dc-dc converters and LDOs. POWER_ON is pulled up to a pull-up voltage with R32. In the factory default configuration, VSYS is selected as the pull-up voltage. In addition, VOUT_DCDC1 and VOUT_DCDC2 can be configured as pull-up voltages with R22 and R23, respectively.

J15, pin 4: PGOOD

J15 pin 4 is connected to the open drain output PGOOD. PGOOD goes low depending on the setting in the PGOODMASK register. In this register, different PGOOD bits of each dc-dc converter and LDO can be connected to the PGOOD open drain output. PGOOD is connected to a pull-up voltage with resistor R34. In the factory default EVM configuration, VSYS is selected as the pull-up voltage with R21. In addition, VOUT_DCDC1 and VOUT_DCDC2 can be configured as pull-up voltages with R22 and R23, respectively.

J15, pin 6: RESET/EN_EXTLDO

J15 pin 5 is connected to the open drain output $\overline{\text{RESET}}$. The TPS65070, TPS65073, TPS650731, and TPS650732 each contain circuitry that can generate a reset pulse for a processor. The voltage at the THRESHOLD pin is sensed; if this voltage goes above the threshold voltage of 1.0 V (typ), the $\overline{\text{RESET}}$ output goes to a high impedance state after a delay time defined in the PGOOD register. If the voltage at the THRESHOLD pin is below the threshold voltage, the PGOOD output is pulled low.

In the TPS65072, this pin is an active high push-pull output called EN_EXTLDO. This pin is controlled internally and only used for sequencing the Sirf Prima or Atlas IV processors.

J15, pin 6: $\overline{\text{INT}}$

J15 pin 6 is connected to the open drain output $\overline{\text{INT}}$. The $\overline{\text{INT}}$ output indicates if there is an interrupt active. The interrupts can be configured in the INT register. Different events can be masked as an interrupt (for example, AC pin or USB pin power removed or applied), or as a touch screen Interface, PB_IN.

$\overline{\text{INT}}$ is connected to a pull-up voltage with resistor R38. In the factory default EVM configuration, VSYS is selected as the pull-up voltage with R21. In addition, VOUT_DCDC1 and VOUT_DCDC2 can be configured as pull-up voltages with R22 and R23, respectively.

4.2 Enable Jumpers / Switches

4.2.1 S1: PB_IN

S1 is connected to PB_IN. Pressing the switch S1 pulls the PB_IN pin of the TPS6507x low, starting up all dc-dc converters and LDOs according to the device internal sequence. Note that if S1 is released, all dc-dc converters and LDOs shut down if the POWER_ON input is low. If POWER_ON is pulled high before PB_IN is released high again, the dc-dc converters and LDOs remain on.

JP1: EN_DCDC1

Connect a shorting bar between EN_DCDC1 and ON to pull the EN_DCDC1 pin high (VSYS) and enable the step-down converter DCDC1. Connect a shorting bar between EN_DCDC1 and OFF to pull the EN_DCDC1 pin low (GND) and disable DCDC1.

Note that the enable pins of all dc-dc converters and LDOs that are part of the internal automatic sequence should be terminated to GND. To control the converters with the respective individual ENABLE pins, the power sequence for the dc-dc converters DCDC_SQ must be set to '101' in User Register CON_CTRL1 (0Dh).

JP2: EN_DCDC2

Connect a shorting bar between EN_DCDC2 and ON to pull the EN_DCDC2 pin high (VSYS) and enable the step-down converter DCDC2. Connect a shorting bar between EN_DCDC2 and OFF to pull the EN_DCDC2 pin low (GND) and disable DCDC2.

Note that the enable pins of all dc-dc converters and LDOs that are part of the internal automatic sequence should be terminated to GND. To control the converters with the respective individual ENABLE pins, the power sequence for the dc-dc converters DCDC_SQ must be set to '101' in User Register CON_CTRL1 (0Dh).

JP3: EN_DCDC3

Connect a shorting bar between EN_DCDC3 and ON to pull the EN_DCDC3 pin high (VSYS) and enable the step-down converter DCDC3. Connect a shorting bar between EN_DCDC3 and OFF to pull the EN_DCDC3 pin low (GND) and disable DCDC3.

Note that the enable pins of all dc-dc converters and LDOs that are part of the internal automatic sequence should be terminated to GND. To control the converters with the respective individual ENABLE pins, the power sequence for the dc-dc converters DCDC_SQ must be set to '101' in User Register CON_CTRL1 (0Dh).

JP4: DEFDCDC2

Connecting a shorting bar between DEFDCDC2 and LOW selects the output voltage set in User Register DEFDCDC2_LOW (11h). Connecting a shorting bar between DEFDCDC2 and HIGH selects the output voltage set in User Register DEFDCDC2_HIGH (12h).

Refer to [Table 2](#) for information on the default output voltages on DCDC2. After start-up, the user can adjust the LOW/HIGH output voltage of DCDC2 in the corresponding User Registers. Refer to the device data sheet for detailed information.

JP5: DEFDCDC3

Connecting a shorting bar between DEFDCDC3 and LOW selects the output voltage set in the User Register DEFDCDC3_LOW (13h). Connecting a shorting bar between DEFDCDC3 and HIGH selects the output voltage set in the User Register DEFDCDC3_HIGH (14h).

Refer to [Table 2](#) for information on the default output voltages on DCDC3. After start-up, the user can adjust the LOW/HIGH output voltage of DCDC3 in the corresponding User Registers. Refer to the device data sheet for detailed information.

JP6: POWER_ON

The POWER_ON pin must be pulled high before PB_IN is released high again to keep the dc-dc converters and LDOs enabled once PB_IN is released high. Pulling POWER_ON low disables all dc-dc converters and LDOs. Connect a shorting bar between POWER_ON and Hi to pull the POWER_ON pin high. The pull-up source can be selected with resistors R45 (VDCDC2), R46 (VDCDC1) and R47 (SYS). In the factory default configuration, R45 and R46 are open, while R47 is assembled. This configuration selects SYS as the pull-up source. Connect a shorting bar between POWER_ON and GND to pull the POWER_ON pin low. This configuration disables all dc-dc converters and LDOs.

5 Setup

CAUTION

Many of the components on the TPS6507xEVM-430 are susceptible to damage by electrostatic discharge (ESD). Customers are advised to observe proper ESD handling precautions when unpacking and handling the EVM, including the use of a grounded wrist strap, bootstraps, or mats at an approved ESD workstation. An electrostatic smock and safety glasses should also be worn.

5.1 Software Setup

To download the software required to operate the TPS6507xEVM, check the [TPS6507x product folder](#) on the TI web site (www.ti.com).

Download the software and execute it; follow the on-screen instructions to complete the installation.

5.2 Hardware Setup

Figure 3 shows a typical hardware test configuration.

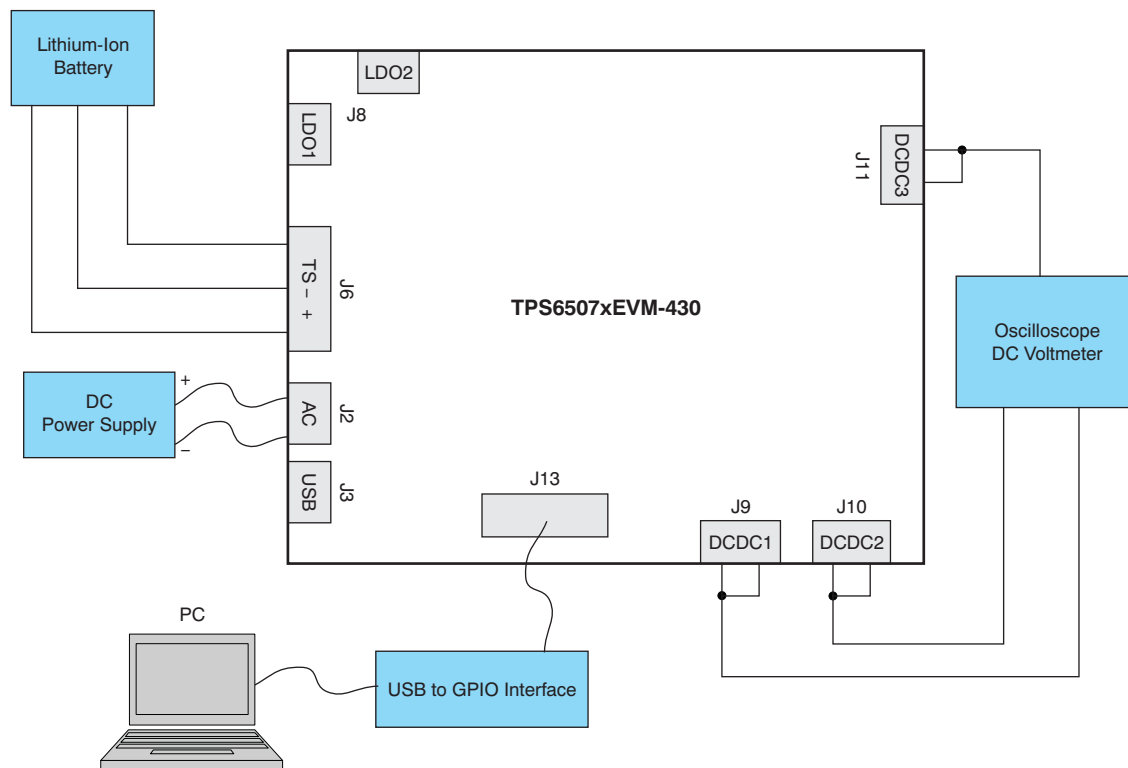


Figure 3. TPS6507xEVM Hardware Connection

5.3 Running the Software

Click on the TPS6507x software icon to start the software. If no icon appears on the host computer desktop, use the **Start** button in the lower left corner of the screen to browse the program folders to find the installed software. The default directory for the software installation is **Program Files\Texas Instruments\TPS6507xEVM**.

For details on how to use the software, refer to application note [SLVA418](#), *Using the TPS6507x Software*.

6 EVM Assembly Drawings and Layout

Figure 4 through Figure 9 show the design of the TPS65070EVM-430 printed circuit boards. This EVM has been designed using a four-layer, 1-ounce copper-clad PCB with all components in an active area on the top side of the board.

NOTE: Board layouts are not to scale. These figures are intended to show how the board is laid out; they are not intended to be used for manufacturing TPS65070EVM-430 PCBs.

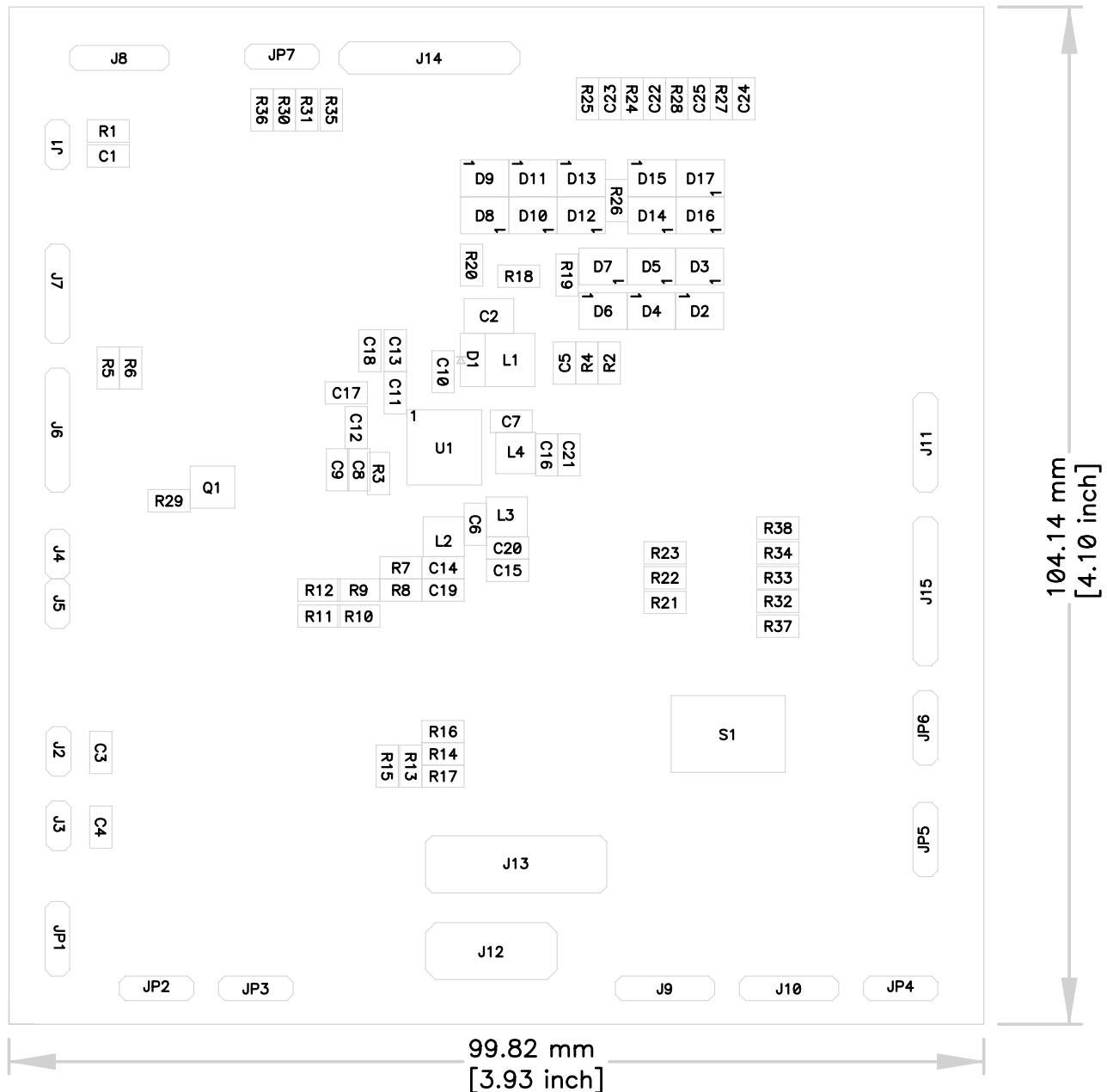


Figure 4. TPS6507xEVM Component Placement (Viewed from Top)

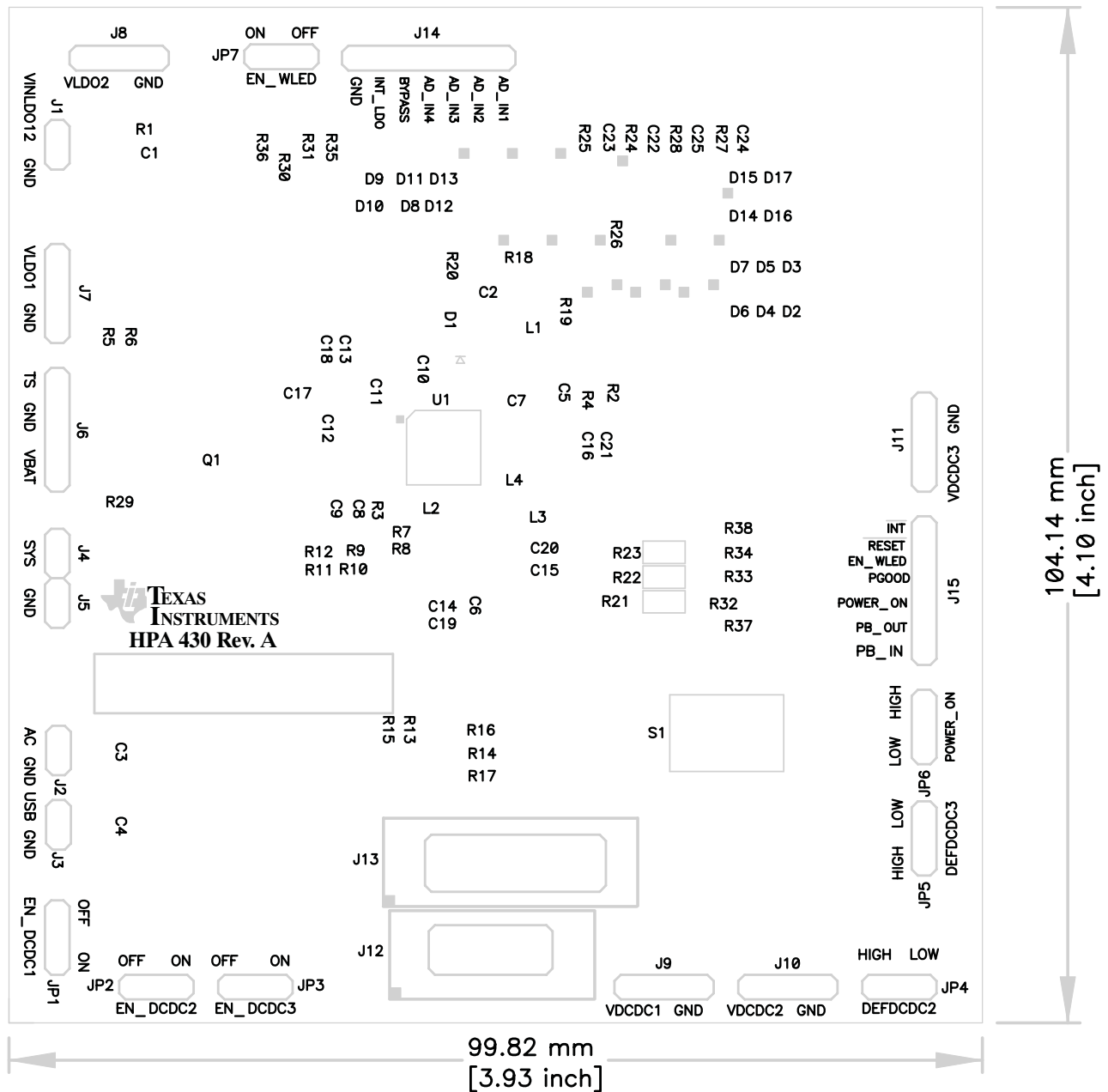


Figure 5. TPS6507xEVM Silkscreen (Viewed from Top)

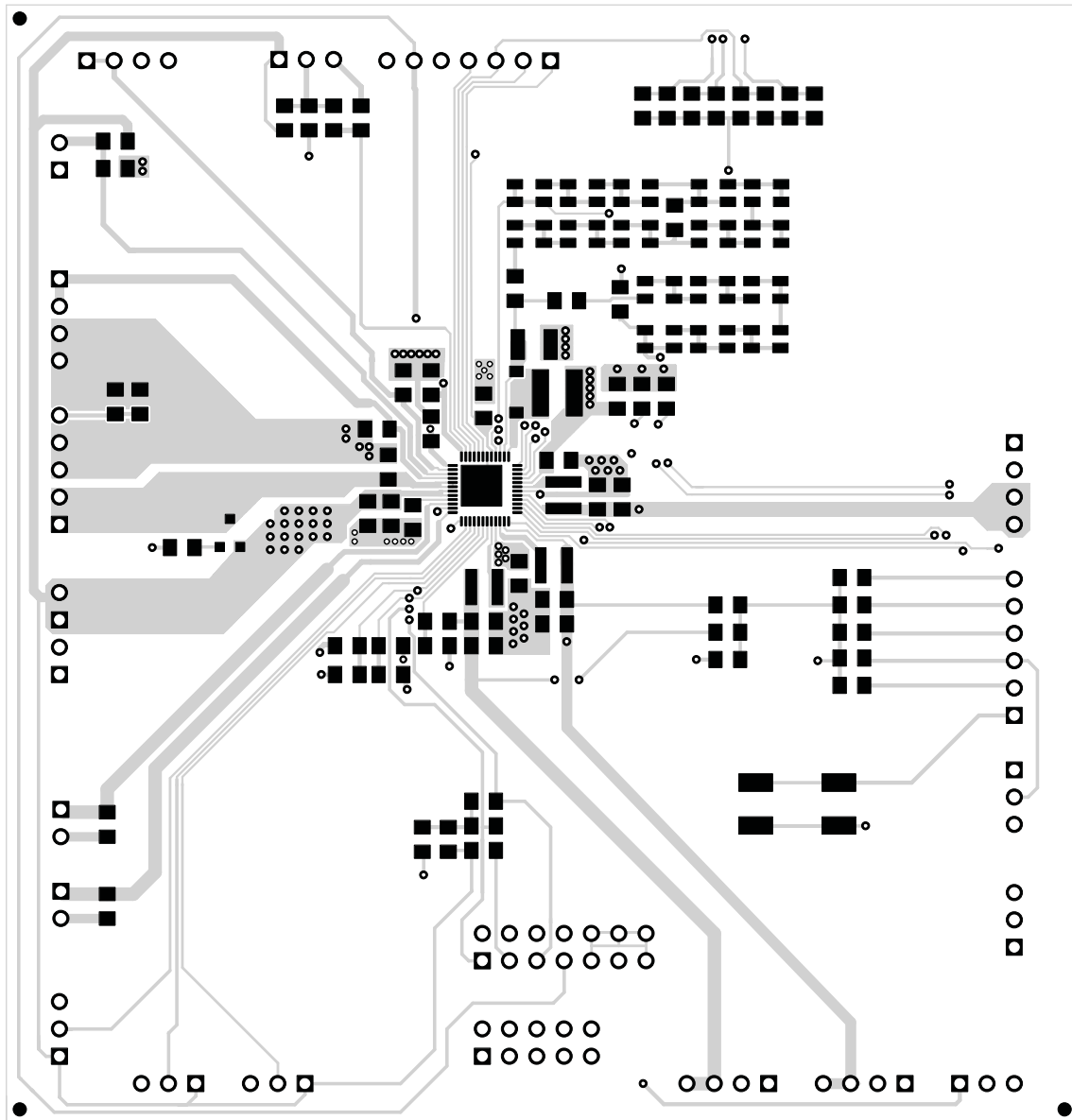


Figure 6. TPS6507xEVM Top Copper (Viewed from Top)

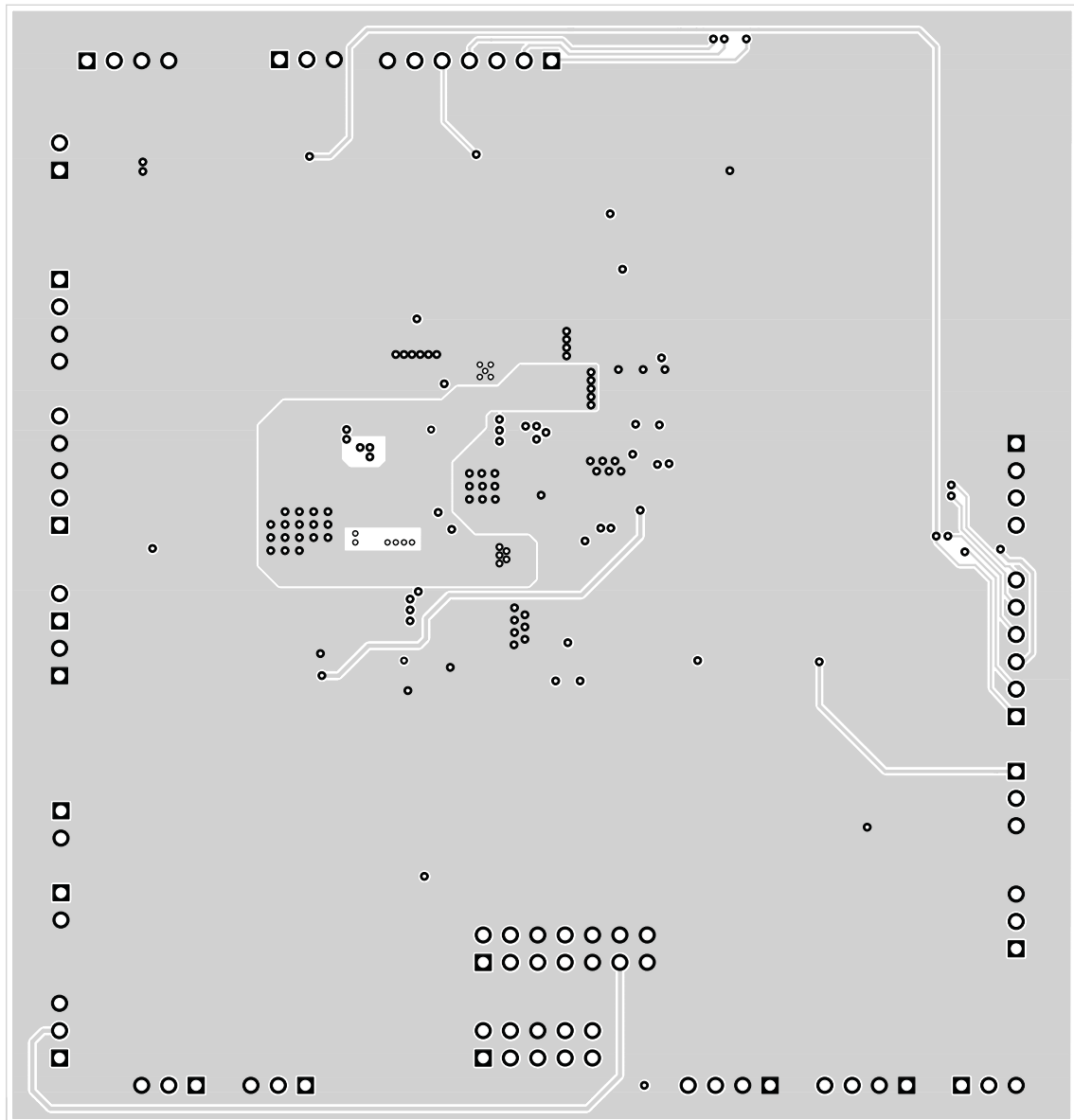


Figure 7. TPS6507xEVM Bottom Copper (X-Ray View from Top)

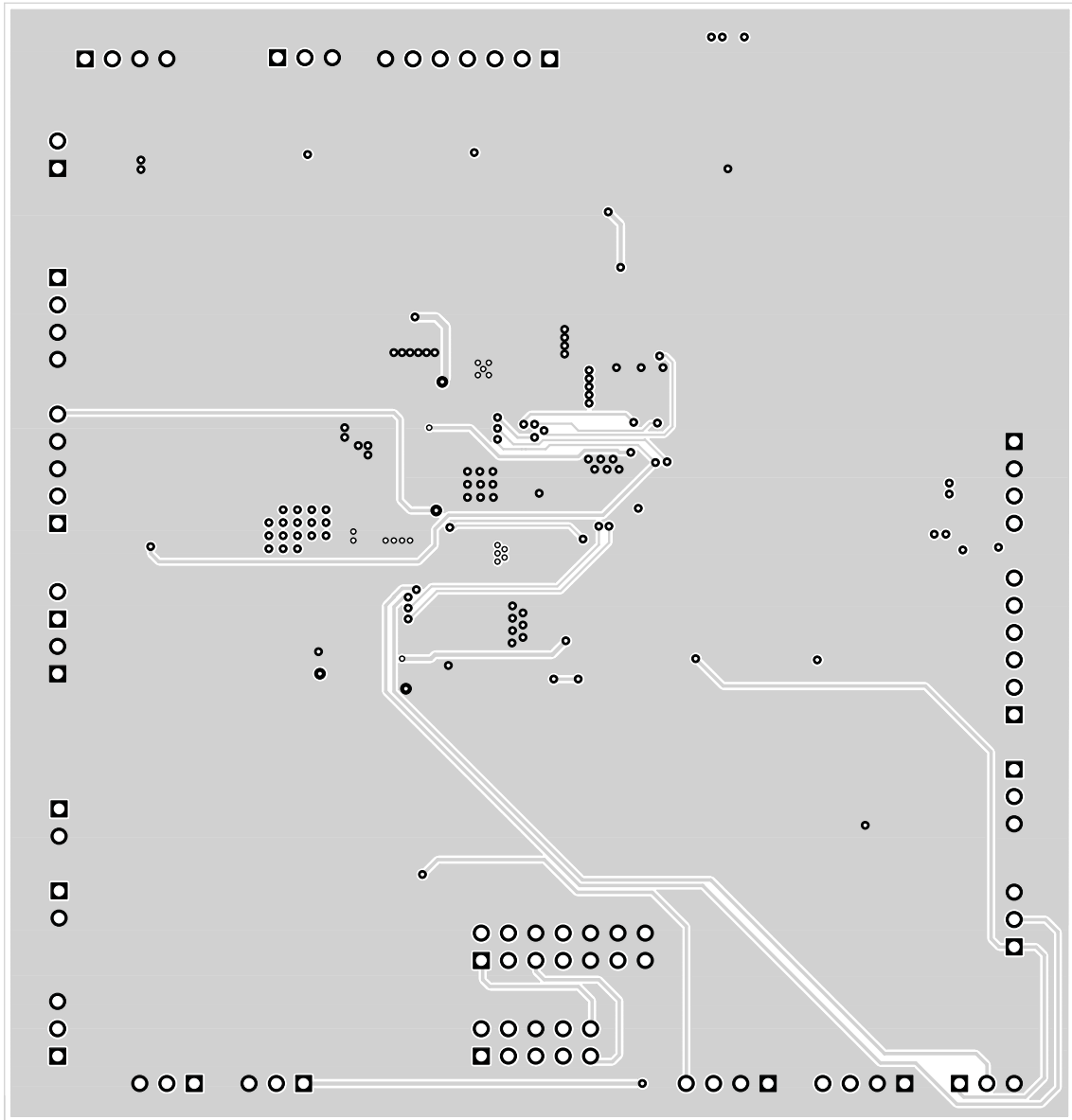


Figure 8. TPS6507xEVM Internal 1 (X-Ray View from Top)

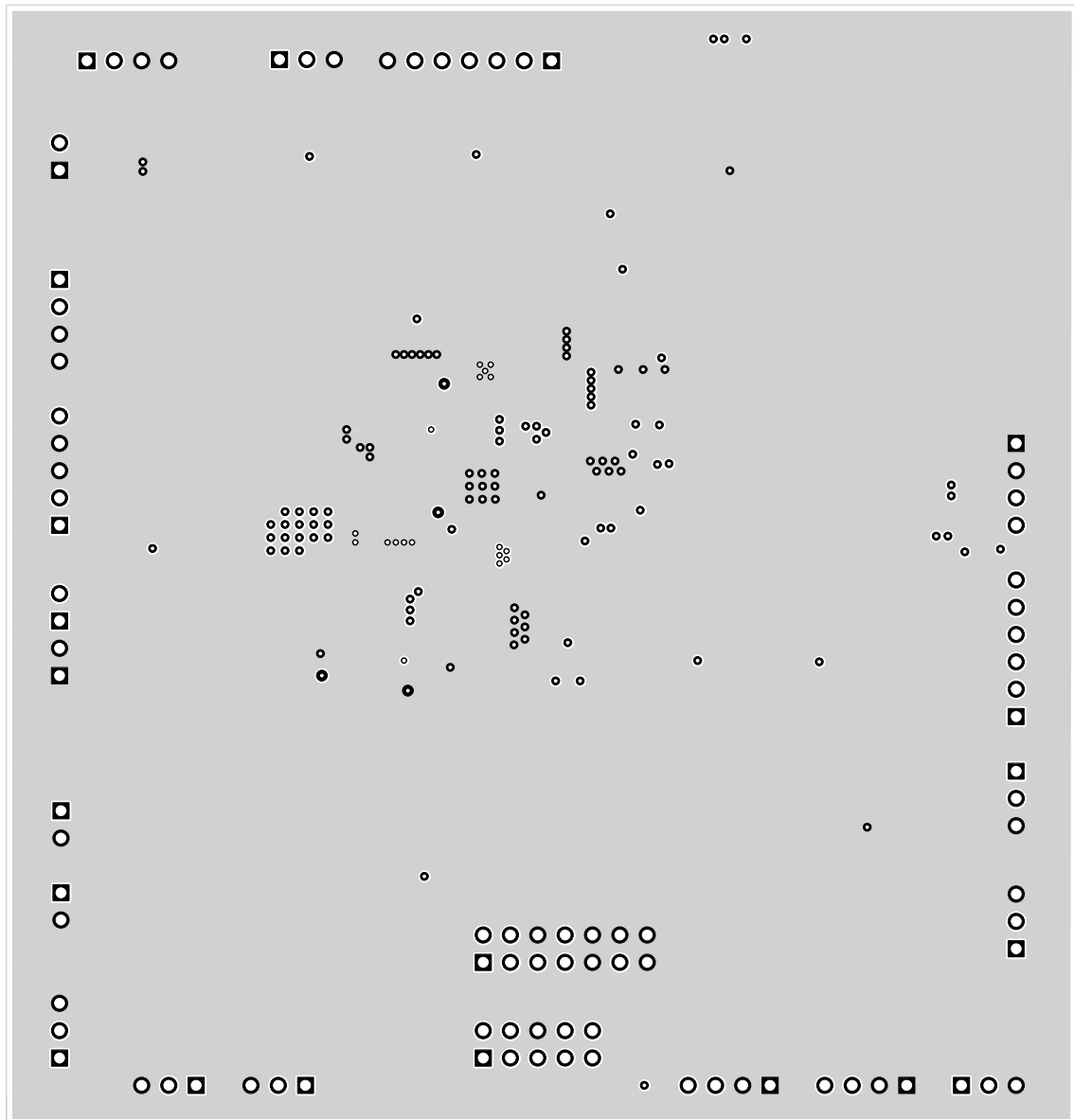


Figure 9. TPS6507xEVM Internal 2 (X-Ray View from Top)

7 Bill of Materials

Table 3 lists the bill of materials for the TPS6507xEVM.

Table 3. TPS65070EVM-430 Bill of Materials

EVM Device Option: Count					RefDes	Value	Description	Size	Part Number	MFR
-001	-002	-003	-004	-005						
4	4	4	4	4	C1, C13, C17, C18	2.2 μ F	Capacitor, Ceramic, 6.3 V, X5R, 10%	0805	GRM21BR60J225KA01K	muRata
0	0	0	0	0	C19, C20, C21	open	Capacitor, Ceramic, 6.3 V, X5R, 20%	0805	JMK212BJ106M	Taiyo Yuden
1	1	1	1	1	C2	4.7 μ F	Capacitor, Ceramic, 50 V, X7R, 10%	1210	GRM32ER71H475KA	Taiyo Yuden
4	4	4	4	4	C22, C23, C24, C25	10nF	Capacitor, Ceramic, 100 V, X7R, 20%	0805	GRM21BR72A103MA01K	muRata
3	3	3	3	3	C3, C4, C11	4.7 μ F	Capacitor, Ceramic, 6.3 V, X5R, 10%	0805	GRM21BR60J475KA11K	muRata
7	7	7	7	7	C5, C7, C10, C12, C14, C15, C16	10 μ F	Capacitor, Ceramic, 6.3 V, X5R, 20%	0805	JMK212BJ106M	Taiyo Yuden
2	2	2	2	2	C6, C8	22 μ F	Capacitor, Ceramic, 6.3 V, X5R, 20%	0805	JMK212BJ226MG	muRata
0	0	0	0	0	C9	open		0805		muRata
1	1	1	1	1	D1	MBR0540L	Diode, Schottky, 0.5 A, 20 V	SOD-123	MBR0520L	Fairchild
16	16	16	16	16	D2, D3, D4, D5, D6, D7, D8, D9, D10, D11, D12, D13, D14, D15, D16, D17	Q65110A1931	Diode, LED, 30-mA, Common Anode	0.118 x 0.134 inch	Q65110A1931	Osram
1	1	1	1	1	L1	47 μ H	Inductor, SMT, 0.56 A, 650 m Ω	0.153 x 0.153 inch	LPS4018-473MLB	Coilcraft
3	3	3	3	3	L2, L3, L4	2.2 μ H	Inductor, SMT, 2.1 A, 110 m Ω	0.118 x 0.118 inch	LPS3015-222ML	Coilcraft
0	0	0	0	0	Q1	open	MOSFET, Pch, -12 V, -5.7 A, 50 m Ω	SOT23	Si2333	Vishay
8	8	8	8	8	R1, R7, R13, R18, R19, R20, R21, R26	0	Resistor, Chip, 1/10W, 1%	0805	Std	Std
1	0	1	1	1	R36	0	Resistor, Chip, 1/10W, 1%	0805	Std	Std
2	2	2	2	2	R14, R16	3.30 k Ω	Resistor, Chip, 1/10W, 1%	0805	Std	Std
1	1	1	1	1	R2	51.1 k Ω	Resistor, Chip, 1/10W, 1%	0805	Std	Std
4	4	4	4	4	R24, R25, R27, R28	1.00 M Ω	Resistor, Chip, 1/10W, 1%	0805	Std	Std
1	1	1	1	1	R3	1.00 k Ω	Resistor, Chip, 1/10W, 1%	0805	Std	Std
0	1	0	0	0	R31	0 Ω	Resistor, Chip, 1/10W, 1%	0805	Std	Std
1	0	1	1	1	R31	270 k Ω	Resistor, Chip, 1/10W, 1%	0805	Std	Std
4	4	4	4	4	R32, R33, R37, R38	100 k Ω	Resistor, Chip, 1/10W, 1%	0805	Std	Std
1	0	1	1	1	R34	100 k Ω	Resistor, Chip, 1/10W, 1%	0805	Std	Std
1	0	1	1	1	R35	120 k Ω	Resistor, Chip, 1/10W, 1%	0805	Std	Std
1	1	1	1	1	R4	150 k Ω	Resistor, Chip, 1/10W, 1%	0805	Std	Std

Table 3. TPS65070EVM-430 Bill of Materials (continued)

EVM Device Option: Count					RefDes	Value	Description	Size	Part Number	MFR
-001	-002	-003	-004	-005						
1	1	1	1	1	R5	10.0 K Ω	Resistor, Chip, 1/10W, 1%	0805	Std	Std
1	1	1	1	1	R6	75.0 k Ω	Resistor, Chip, 1/10W, 1%	0805	Std	Std
0	0	0	0	0	R8, R9, R10, R11, R12, R15, R17, R22, R23, R29, R30	open	Resistor, Chip, 1/10W, 1%	0805	Std	Std
1	1	1	1	1	S1	KT11P2JM	Switch, SPST, PB Momentary, Sealed Tactile	0.245 X 0.251 inch	KT11P2JM34LFS	KT11P2J M34LFS
1	0	0	0	0		TPS65070RSL	IC, Power Solution for Navigation Systems		TPS65070RSL	TI
0	1	0	0	0		TPS65072RSL	IC, Power Solution for Navigation Systems		TPS65072RSL	TI
0	0	1	0	0		TPS65073RSL	IC, Power Solution for Navigation Systems		TPS65073RSL	TI
0	0	0	1	0		TPS650731RSL	IC, Power Solution for Navigation Systems		TPS650731RSL	TI
0	0	0	0	1		TPS650732RSL	IC, Power Solution for Navigation Systems		TPS650732RSL	TI

Revision History

Changes from Original (April, 2010) to A Revision

Page

- | | |
|--|---|
| • Updated Table 1 with correct maximum DC/DC2 output current | 3 |
| • Updated Table 2 with correct maximum DC/DC2 output current | 4 |

NOTE: Page numbers for previous revisions may differ from page numbers in the current version.

Evaluation Board/Kit Important Notice

Texas Instruments (TI) provides the enclosed product(s) under the following conditions:

This evaluation board/kit is intended for use for **ENGINEERING DEVELOPMENT, DEMONSTRATION, OR EVALUATION PURPOSES ONLY** and is not considered by TI to be a finished end-product fit for general consumer use. Persons handling the product(s) must have electronics training and observe good engineering practice standards. As such, the goods being provided are not intended to be complete in terms of required design-, marketing-, and/or manufacturing-related protective considerations, including product safety and environmental measures typically found in end products that incorporate such semiconductor components or circuit boards. This evaluation board/kit does not fall within the scope of the European Union directives regarding electromagnetic compatibility, restricted substances (RoHS), recycling (WEEE), FCC, CE or UL, and therefore may not meet the technical requirements of these directives or other related directives.

Should this evaluation board/kit not meet the specifications indicated in the User's Guide, the board/kit may be returned within 30 days from the date of delivery for a full refund. **THE FOREGOING WARRANTY IS THE EXCLUSIVE WARRANTY MADE BY SELLER TO BUYER AND IS IN LIEU OF ALL OTHER WARRANTIES, EXPRESSED, IMPLIED, OR STATUTORY, INCLUDING ANY WARRANTY OF MERCHANTABILITY OR FITNESS FOR ANY PARTICULAR PURPOSE.**

The user assumes all responsibility and liability for proper and safe handling of the goods. Further, the user indemnifies TI from all claims arising from the handling or use of the goods. Due to the open construction of the product, it is the user's responsibility to take any and all appropriate precautions with regard to electrostatic discharge.

EXCEPT TO THE EXTENT OF THE INDEMNITY SET FORTH ABOVE, NEITHER PARTY SHALL BE LIABLE TO THE OTHER FOR ANY INDIRECT, SPECIAL, INCIDENTAL, OR CONSEQUENTIAL DAMAGES.

TI currently deals with a variety of customers for products, and therefore our arrangement with the user **is not exclusive.**

TI assumes **no liability for applications assistance, customer product design, software performance, or infringement of patents or services described herein.**

Please read the User's Guide and, specifically, the Warnings and Restrictions notice in the User's Guide prior to handling the product. This notice contains important safety information about temperatures and voltages. For additional information on TI's environmental and/or safety programs, please contact the TI application engineer or visit www.ti.com/esh.

No license is granted under any patent right or other intellectual property right of TI covering or relating to any machine, process, or combination in which such TI products or services might be or are used.

FCC Warning

This evaluation board/kit is intended for use for **ENGINEERING DEVELOPMENT, DEMONSTRATION, OR EVALUATION PURPOSES ONLY** and is not considered by TI to be a finished end-product fit for general consumer use. It generates, uses, and can radiate radio frequency energy and has not been tested for compliance with the limits of computing devices pursuant to part 15 of FCC rules, which are designed to provide reasonable protection against radio frequency interference. Operation of this equipment in other environments may cause interference with radio communications, in which case the user at his own expense will be required to take whatever measures may be required to correct this interference.

EVM Warnings and Restrictions

It is important to operate this EVM within the input voltage range of 3.6 V to 17 V and the output voltage range of 0.6 V to 6.3 V.

Exceeding the specified input range may cause unexpected operation and/or irreversible damage to the EVM. If there are questions concerning the input range, please contact a TI field representative prior to connecting the input power.

Applying loads outside of the specified output range may result in unintended operation and/or possible permanent damage to the EVM. Please consult the EVM User's Guide prior to connecting any load to the EVM output. If there is uncertainty as to the load specification, please contact a TI field representative.

During normal operation, some circuit components may have case temperatures greater than +60°C. The EVM is designed to operate properly with certain components above +60°C as long as the input and output ranges are maintained. These components include but are not limited to linear regulators, switching transistors, pass transistors, and current sense resistors. These types of devices can be identified using the EVM schematic located in the EVM User's Guide. When placing measurement probes near these devices during operation, please be aware that these devices may be very warm to the touch.

Mailing Address: Texas Instruments, Post Office Box 655303, Dallas, Texas 75265
Copyright © 2011, Texas Instruments Incorporated

IMPORTANT NOTICE

Texas Instruments Incorporated and its subsidiaries (TI) reserve the right to make corrections, modifications, enhancements, improvements, and other changes to its products and services at any time and to discontinue any product or service without notice. Customers should obtain the latest relevant information before placing orders and should verify that such information is current and complete. All products are sold subject to TI's terms and conditions of sale supplied at the time of order acknowledgment.

TI warrants performance of its hardware products to the specifications applicable at the time of sale in accordance with TI's standard warranty. Testing and other quality control techniques are used to the extent TI deems necessary to support this warranty. Except where mandated by government requirements, testing of all parameters of each product is not necessarily performed.

TI assumes no liability for applications assistance or customer product design. Customers are responsible for their products and applications using TI components. To minimize the risks associated with customer products and applications, customers should provide adequate design and operating safeguards.

TI does not warrant or represent that any license, either express or implied, is granted under any TI patent right, copyright, mask work right, or other TI intellectual property right relating to any combination, machine, or process in which TI products or services are used. Information published by TI regarding third-party products or services does not constitute a license from TI to use such products or services or a warranty or endorsement thereof. Use of such information may require a license from a third party under the patents or other intellectual property of the third party, or a license from TI under the patents or other intellectual property of TI.

Reproduction of TI information in TI data books or data sheets is permissible only if reproduction is without alteration and is accompanied by all associated warranties, conditions, limitations, and notices. Reproduction of this information with alteration is an unfair and deceptive business practice. TI is not responsible or liable for such altered documentation. Information of third parties may be subject to additional restrictions.

Resale of TI products or services with statements different from or beyond the parameters stated by TI for that product or service voids all express and any implied warranties for the associated TI product or service and is an unfair and deceptive business practice. TI is not responsible or liable for any such statements.

TI products are not authorized for use in safety-critical applications (such as life support) where a failure of the TI product would reasonably be expected to cause severe personal injury or death, unless officers of the parties have executed an agreement specifically governing such use. Buyers represent that they have all necessary expertise in the safety and regulatory ramifications of their applications, and acknowledge and agree that they are solely responsible for all legal, regulatory and safety-related requirements concerning their products and any use of TI products in such safety-critical applications, notwithstanding any applications-related information or support that may be provided by TI. Further, Buyers must fully indemnify TI and its representatives against any damages arising out of the use of TI products in such safety-critical applications.

TI products are neither designed nor intended for use in military/aerospace applications or environments unless the TI products are specifically designated by TI as military-grade or "enhanced plastic." Only products designated by TI as military-grade meet military specifications. Buyers acknowledge and agree that any such use of TI products which TI has not designated as military-grade is solely at the Buyer's risk, and that they are solely responsible for compliance with all legal and regulatory requirements in connection with such use.

TI products are neither designed nor intended for use in automotive applications or environments unless the specific TI products are designated by TI as compliant with ISO/TS 16949 requirements. Buyers acknowledge and agree that, if they use any non-designated products in automotive applications, TI will not be responsible for any failure to meet such requirements.

Following are URLs where you can obtain information on other Texas Instruments products and application solutions:

Products

Audio	www.ti.com/audio
Amplifiers	amplifier.ti.com
Data Converters	dataconverter.ti.com
DLP® Products	www.dlp.com
DSP	dsp.ti.com
Clocks and Timers	www.ti.com/clocks
Interface	interface.ti.com
Logic	logic.ti.com
Power Mgmt	power.ti.com
Microcontrollers	microcontroller.ti.com
RFID	www.ti-rfid.com
OMAP Mobile Processors	www.ti.com/omap
Wireless Connectivity	www.ti.com/wirelessconnectivity

Applications

Communications and Telecom	www.ti.com/communications
Computers and Peripherals	www.ti.com/computers
Consumer Electronics	www.ti.com/consumer-apps
Energy and Lighting	www.ti.com/energy
Industrial	www.ti.com/industrial
Medical	www.ti.com/medical
Security	www.ti.com/security
Space, Avionics and Defense	www.ti.com/space-avionics-defense
Transportation and Automotive	www.ti.com/automotive
Video and Imaging	www.ti.com/video

TI E2E Community Home Page

e2e.ti.com

Mailing Address: Texas Instruments, Post Office Box 655303, Dallas, Texas 75265
Copyright © 2011, Texas Instruments Incorporated