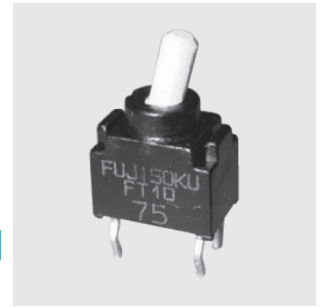


# FT

- Terminal Pins : Kinked
- Actuator Color : Yellow

Washable



## Ultra-Miniature Toggle Switch

RoHS Compliant

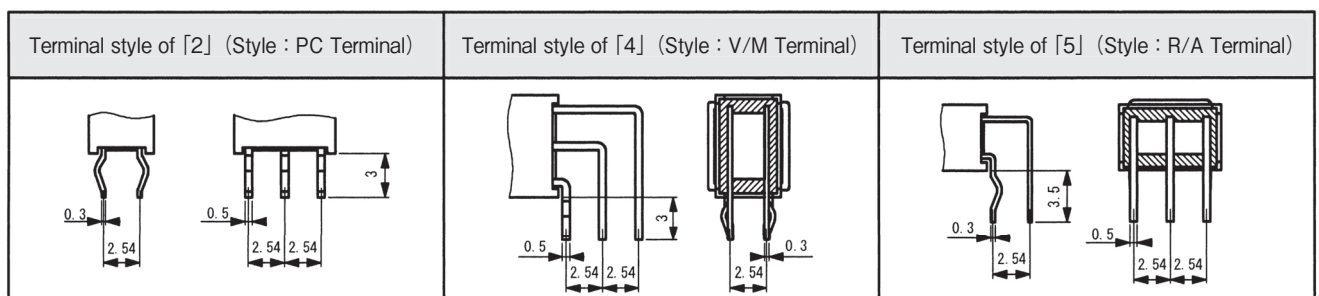
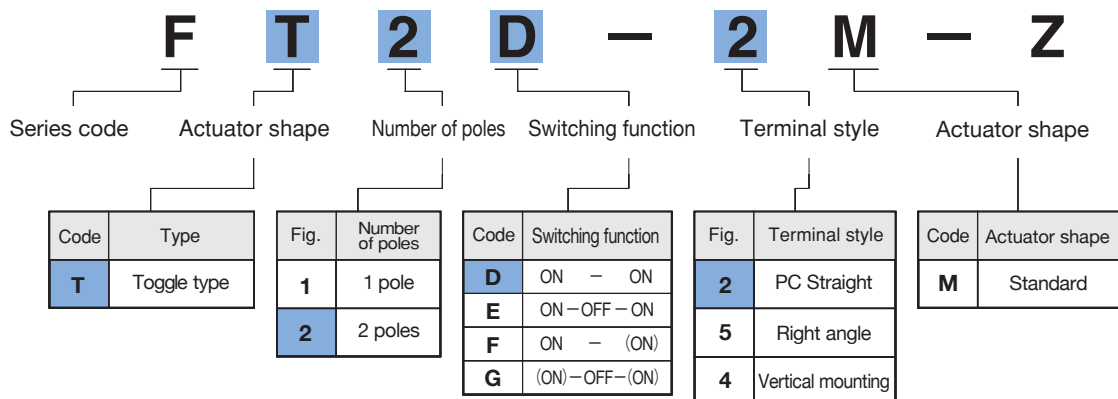
### ■ Features

1. Ultra-miniature toggle switch for high density mounting.
2. Washable.
3. Terminal pin pitch : 2.54 mm.
4. Independent detent mechanism ensures light operational feel.
5. Clip contact mechanism for long-term contact reliability.
6. Gold-plated contacts.

### ■ Specifications

Rating	Max.	28VDC 0.4VA max.
	Min.	1μ A 20mVDC
Initial contact resistance	100mΩ max.	(1.5mA 200μ VAC)
Dielectric strength	250VAC 1 minute	
Insulation resistance	500MΩ min.	(250VDC)
Electrical life	10,000 cycles at max. rating	
	50,000 cycles at min. rating ( <b>D,E</b> type) 30,000 cycles at min. rating ( <b>F,G</b> type)	
Operating temperature range	-40°C~+85°C	
Storage temperature range	-40°C~+85°C	

### ■ Part Numbering

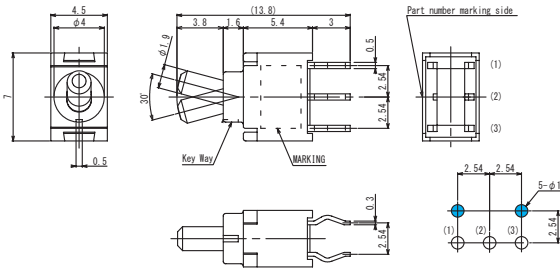


(ON) : Momentary.

# FT

## SPDT

### PC Straight



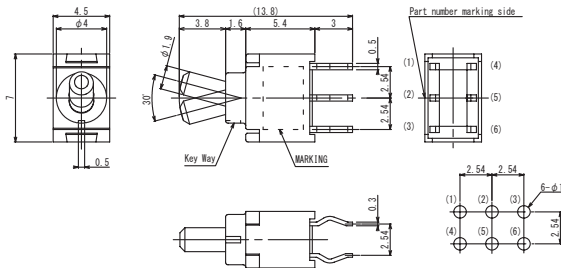
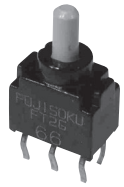
Terminal numbers are not shown on the switch.

(Topview)  
PC hole Layouts

Switching function			
Part No.			
<b>FT1D-2M-Z</b>	ON	—	ON
☆ <b>FT1E-2M-Z</b>	ON	OFF	ON
☆ <b>FT1F-2M-Z</b>	ON	—	(ON)
★ <b>FT1G-2M-Z</b>	(ON)	OFF	(ON)
Connecting terminals	2-3	—	2-1

## DPDT

### PC Straight



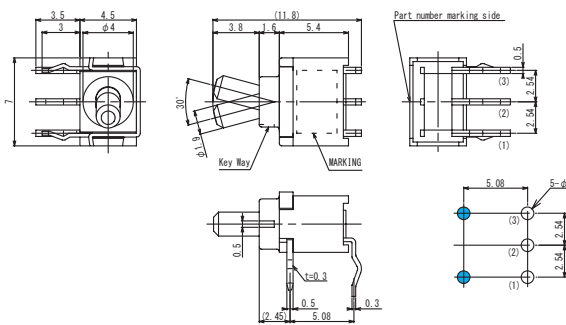
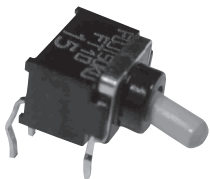
Terminal numbers are not shown on the switch.

(Topview)  
PC hole Layouts

Switching function			
Part No.			
<b>FT2D-2M-Z</b>	ON	—	ON
☆ <b>FT2E-2M-Z</b>	ON	OFF	ON
★ <b>FT2F-2M-Z</b>	ON	—	(ON)
★ <b>FT2G-2M-Z</b>	(ON)	OFF	(ON)
Connecting terminals	2-3 5-6	—	2-1 5-4

## SPDT

### Right Angle Terminal



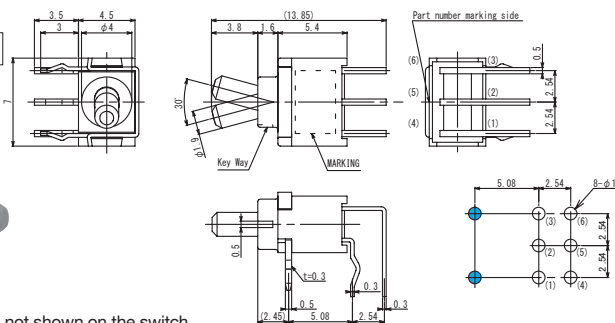
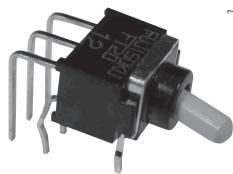
Terminal numbers are not shown on the switch.

(Topview)  
PC hole Layouts

Switching function			
Part No.			
<b>FT1D-5M-Z</b>	ON	—	ON
<b>FT1E-5M-Z</b>	ON	OFF	ON
Connecting terminals	2-1	—	2-3

## DPDT

### Right Angle Terminal



Terminal numbers are not shown on the switch.

(Topview)  
PC hole Layouts

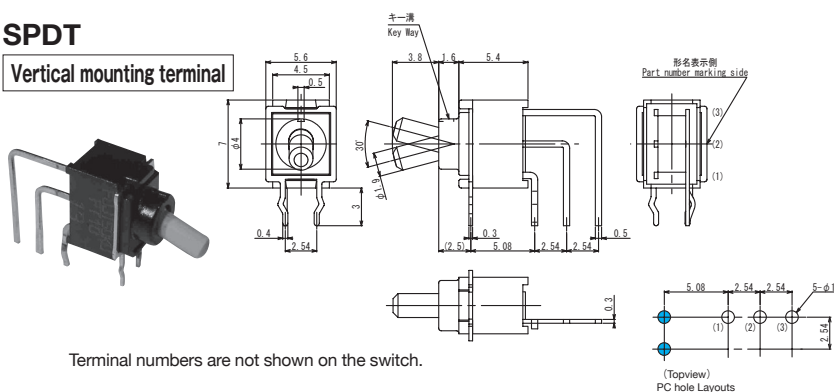
Switching function			
Part No.			
☆ <b>FT2D-5M-Z</b>	ON	—	ON
★ <b>FT2E-5M-Z</b>	ON	OFF	ON
Connecting terminals	2-1 5-4	—	2-3 5-6

(ON) : Momentary.

☆ : Semi-standard products. ★ : Made to order products.

**SPDT**

Vertical mounting terminal

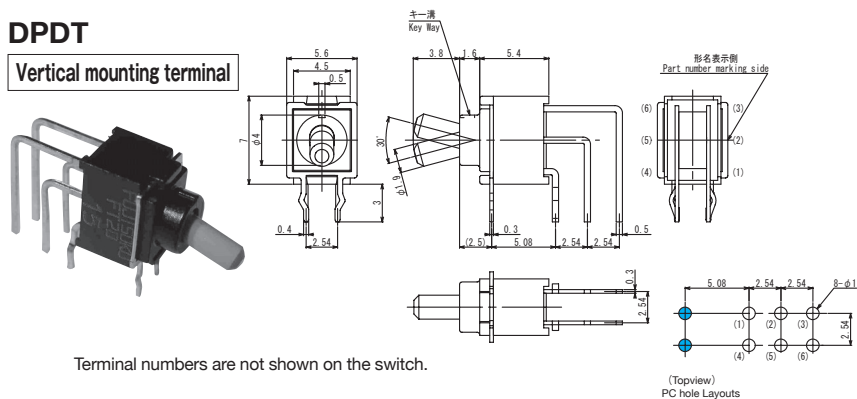


Terminal numbers are not shown on the switch.

Switching function	Key		
Part No.			
☆ FT1D-4M-Z	ON	—	ON
★ FT1E-4M-Z	ON	OFF	ON
Connecting terminals	2-3	—	2-1

**DPDT**

Vertical mounting terminal



Terminal numbers are not shown on the switch.

Switching function	Key		
Part No.			
FT2D-4M-Z	ON	—	ON
★ FT2E-4M-Z	ON	OFF	ON
Connecting terminals	2-3 5-6	—	2-1 5-4

**Soldering Specifications**

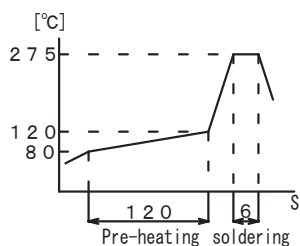
(1) Manual Soldering

Device : Soldering iron  
380°C, Max.; 3 seconds, Max.

(2) Auto Soldering

Device : Jet wave type or dip type  
275°C, Max.; 6 seconds, Max.

- Pre-heating should be done at temperatures from 80 to 120°C and within 120 sec.



- (3) When soldering two or more terminals to a common land, use solder resist to separate them.

**Flux Cleaning**

- (1) Solvent : Fluorine or Alcohol type.
- (2) Cleaning after soldering should be done after the PC board is exposed to room temperature (30°C or below) for 1 to 2 hours.
- (3) Do not use ultrasonic cleaning.

**Packaging Specifications**

