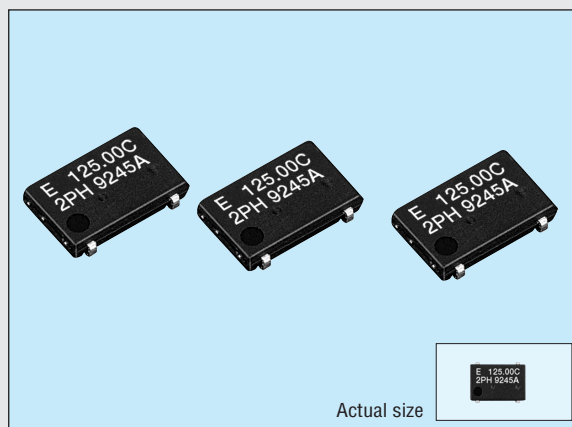


# PROGRAMMABLE HIGH-FREQUENCY CRYSTAL OSCILLATOR

## SG-8002JF series

- Wide frequency output by PLL technology.
- Quick delivery of samples and short lead mass production time.
- Excellent shock resistance and environmental capability.
- Output enable function (OE) and stand-by function (ST) can be used for low current consumption applications.

8002 PROM Writer available to purchase.(Type:PRW-8000A3-M01)  
Please contact EPSON or local sales representative.



### Specifications (characteristics)

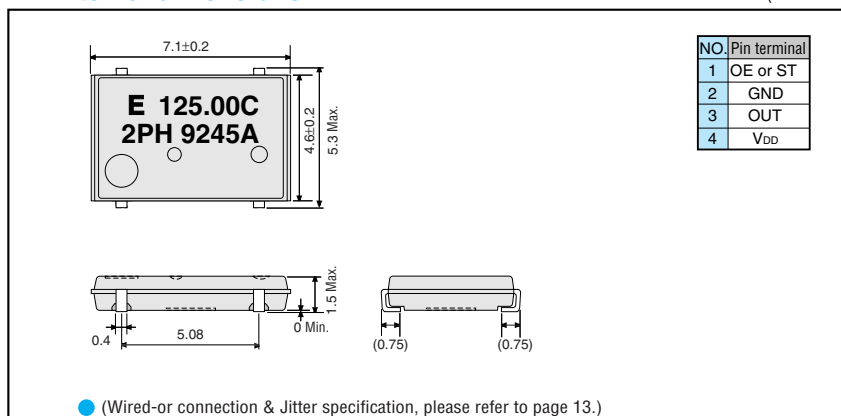
Item	Symbol	PT/ST	PH/SH	PC/SC	Remarks
Output frequency range	$f_0$		1.0000 MHz to 125.0000 MHz		
Power source voltage	Max. supply voltage	$V_{DD-GND}$	-0.5 V to +7.0 V		
	Operating voltage	$V_{DD}$	5.0 V $\pm$ 0.5 V	3.3 $\pm$ 0.3 V	3.0 V $\pm$ 0.3 V: $f_0 \leq 66.7$ MHz(PC/SC)
Temperature range	Storage temperature	$T_{STG}$	-55 °C to +125 °C		
	Operating temperature	$T_{OPR}$	-20 °C to +70 °C (-40 °C to +85 °C)	-40 °C to +85 °C	Refer to page 4."Frequency range"
Soldering condition	$T_{SOL}$	Twice at under +260 °C within 10 s or under +230 °C within 3 min.			
Frequency stability	$\Delta f/f_0$		B: $\pm 50 \times 10^{-6}$ C: $\pm 100 \times 10^{-6}$ M: $\pm 100 \times 10^{-6}$		B,C: -20 °C to +70 °C, M: -40 °C to 85 °C
Current consumption	$I_{OP}$		45 mA Max.	28 mA Max.	No load condition, Max. frequency range
Output disable current	$I_{OE}$		30 mA Max.	16 mA Max.	OE=GND(PT,PH,PC)
Standby current	$I_{ST}$		50 $\mu$ A Max.		ST=GND(ST,SH,SC)
Duty	$t_w/t$	—	40 % to 60 %		C-MOS load: 1/2 $V_{DD}$ level
		40 % to 60 %	—		TTL load: 1.4 V level
High output voltage	$V_{OH}$		$V_{DD}$ -0.4 V Min.		$I_{OH}$ =-16 mA(PT/ST,PH/SH), -8 mA(PC/SC)
Low output voltage	$V_{OL}$		0.4 V Max.		$I_{OL}$ = 16 mA(PT/ST,PH/SH), 8 mA(PC/SC)
Output load condition (fan out)	TTL	N	5 TTL Max.		Max. frequency and Max. operating voltage range
	C-MOS	$C_L$	15 pF Max.		
Output enable/disable input voltage		$V_{IH}$	2.0 V Min.		$\overline{ST}$ , OE terminal
		$V_{IL}$	0.8 V Max.		
Output rise time	C-MOS level	$t_{rLH}$	—		C-MOS load: 20 % $\rightarrow$ 80 % $V_{DD}$
	TTL level		4 ns Max.		
Output fall time	C-MOS level	$t_{fHL}$	—		C-MOS load: 80 % $\rightarrow$ 20 % $V_{DD}$
	TTL level		4 ns Max.		
Oscillation start up time	$t_{OSC}$		10 ms Max.		Time at minimum operating voltage to be 0 s
Aging	$f_a$		$\pm 5 \times 10^{-6}$ /year Max.		$T_a$ = +25 °C, $V_{DD}$ = 5.0 V/3.3 V(PC/SC)
Shock resistance	S.R.		$\pm 20 \times 10^6$ Max.		Three drops on a hard board from 750 mm or excitation test with 29400 m/s <sup>2</sup> x 0.3 ms x 1/2sine wave in 3 directions

Note: • Please contact us for inquiries about operating temperature(-40 °C to +85 °C), usable frequencies, duty and output load conditions. Checking possible by the Frequency Checking Program.

<http://www.epson.co.jp/CRYSTAL/>

### External dimensions

(Unit: mm)



### Recommended soldering pattern

(Unit: mm)

