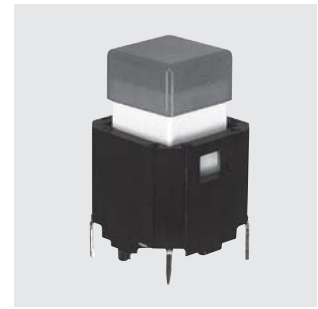


# CFPB

## Illuminated Pushbutton Switches



RoHS Compliant

### Features

1. Full Surface Illumination by LED.
2. Conductive Rubber Contact For Soft and Quiet Operation
3. Available in Four Sizes  
6mm sq., 9mm sq., 11mm sq., 12mm sq.

### Specifications

Rating	Max.	DC5V 5mA or DC20V 1mA
	Min.	DC5V 1mA
Initial Contact Resistance	200 Ω Max (20mV 1.5mA 1kHz Max)	
Dielectric Strength	250VAC 1 minute	
Insulation Resistance	100MΩ (100VDC)	
Travel	1.5mm (11/12mm sq.) 1.3mm (6/9mm sq.)	
Operating Force	1.7±0.5N (11/12mm sq.)	
	1.3±0.4N : (6/9mm sq.)	
Electrical Life	500,000 operations at max. rating (11/12mm sq.)	
	300,000 operations at max. rating (6/9mm sq.)	
Operating Temperature Range	-10°C~+60°C	
Storage Temperature Range	-25°C~+70°C	

※Information on LED drive circuit are shown on the next page.

### Part Numbering

**CFPB - 1 C C - 1 W 1**

Series Code & Actuator		Number of Poles		Terminal Style		LED Color		Button Color		Button Dimension	
Code	Type			Code	Terminal Style					Fig.	Button Dimension
P	Pushbutton			C	PC Straight					1	□11mm 11mm sq.
Fig.	Number of Poles	Switching Function		Combination		LED Color		Button Color		Fig.	Button Dimension
1	1 pole	Code	Switching Function							1	□11mm 11mm sq.
		C	OFF - (ON)	1R	1	Non-illuminated	R	Red		2	□12mm 12mm sq.
				2R	2	Red				6	□6mm 6mm sq.
				1O	1	Non-illuminated	O	Orange		9	□9mm 9mm sq.
				3O	3	Orange					
				1W	1	Non-illuminated	W	White clear			
				4W	4	Yellow					
				1B	1	Non-illuminated	B	Blue			
				5B	5	Green					
				1G	1	Non-illuminated	G	Green			
				5G	5	Green					
				1Y	1	Non-illuminated	Y	Yellow			
				5Y	5	Green					

### Switching function

Switching Function		
Part No.		
CFPB-1CC-■■■■W	OFF	(ON)
Connecting Terminals	—	1-2

### LED Characteristics

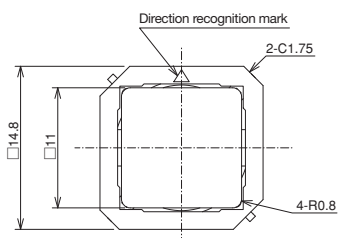
LED Characteristics	
Part No.	
CFPB-1CC-■■■■W	
Connecting Terminals	3-4

※Exclude Non - illuminated type.

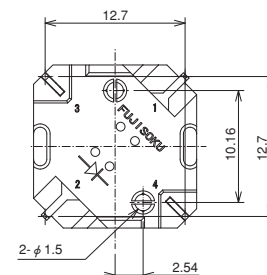
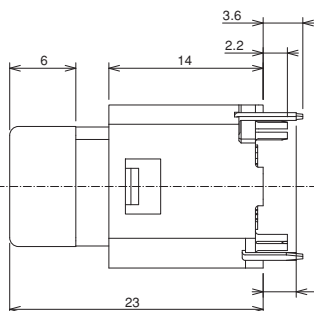
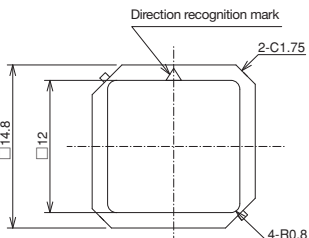
(ON) : Momentary

Dimension

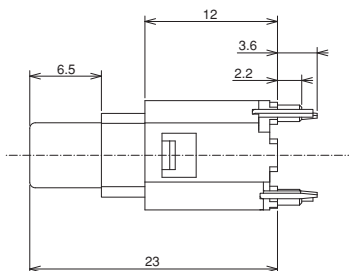
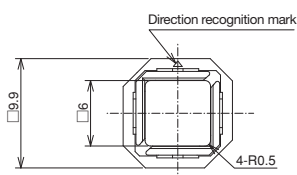
11mm Sq.



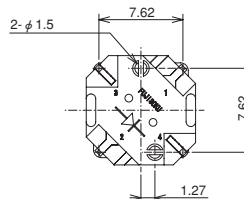
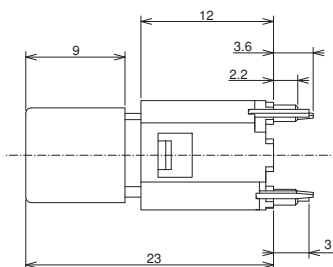
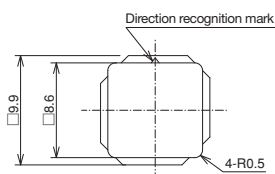
12mm Sq.



6mm Sq.

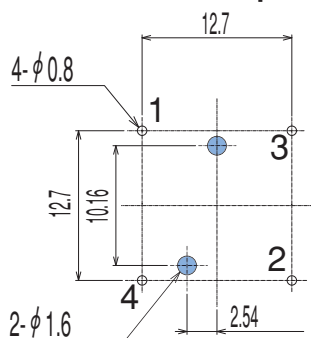


9mm Sq.

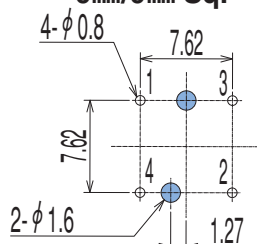


Pad Layouts

11mm · 12mm  
11mm/12mm Sq.



6mm · 9mm  
6mm/9mm Sq.



Soldering Specifications

- (1) flow soldering  
260°C max., 3 ~ 5 sec. max. (total 10 sec. max)  
Pre Heating: 80 ~ 120°C , 120 sec. max.  
No. of flows: 1 time max.
- (2) Manual soldering  
Device : Solder iron  
380°C Max, 3 sec Max

Flux Cleaning

- (1) The CFPB series are not washable. To wash the PC board, clean the soldering surface of the PC board with a brush so that the switch is not exposed to the cleaning solution.
- (2) Solvent : Alcohol type

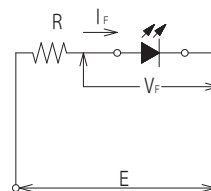
LED Drive circuit

● Case of static lighting system.

$$R = \frac{E - V_F}{I_F}$$

● Case of dynamic lighting system,

$$R = \frac{E - V_F}{I_{FM}}$$



# CFPB

## LED Specification

Item	Symbol	Absolute Maximum Rating <sup>※1</sup>				記号
		Red	Orange	Green	Yellow	
Power Dissipation	P <sub>d</sub>	75	70	70	85	mW
Forward Current	I <sub>F</sub>	30	25	25	30	mA
Forward Voltage	V <sub>F</sub>	2.8	2.8	2.8	2.8	V
Puls Forward Current <sup>※2</sup>	I <sub>FRM</sub>	75	60	60	75	mA
Current Derating (Ta≤25°C)	△I <sub>F</sub>	0.40	0.33	0.33	0.40	mA/°C
Reverse Voltage	V <sub>R</sub>	4	4	4	4	V

- ※1. "Absolute Maximum Rating" is the limit value that must not be exceeded even momentarily. Be sure to consider the safety margin for designing the circuit.  
 ※2. Measurement conditions of I<sub>FRM</sub>  
 Pulse width ≤ 1 ms; Duty ratio ≤ 1/20.  
 ※3. The above ratings are specified at ambient temperature Ta = 25°C.

## Table of Part Numbers

□ 6mm / 6mm Sq.

Part No.	LED color	Button color
<b>CFPB-1CC-1W6</b>	Non-illuminated	White
<b>CFPB-1CC-1R6</b>	Non-illuminated	Red
☆ <b>CFPB-1CC-1G6</b>	Non-illuminated	Green
☆ <b>CFPB-1CC-1Y6</b>	Non-illuminated	Yellow
☆ <b>CFPB-1CC-1B6</b>	Non-illuminated	Blue
☆ <b>CFPB-1CC-1O6</b>	Non-illuminated	Orange
<b>CFPB-1CC-2R6</b>	Red	Red
☆ <b>CFPB-1CC-3O6</b>	Orange	Orange
<b>CFPB-1CC-4W6</b>	Yellow	White
☆ <b>CFPB-1CC-5G6</b>	Green	Green
☆ <b>CFPB-1CC-5Y6</b>	Green	Yellow
☆ <b>CFPB-1CC-5B6</b>	Green	Blue

□ 9mm / 9mm Sq.

Part No.	LED color	Button color
<b>CFPB-1CC-1W9</b>	Non-illuminated	White
<b>CFPB-1CC-1R9</b>	Non-illuminated	Red
☆ <b>CFPB-1CC-1G9</b>	Non-illuminated	Green
☆ <b>CFPB-1CC-1Y9</b>	Non-illuminated	Yellow
☆ <b>CFPB-1CC-1B9</b>	Non-illuminated	Blue
☆ <b>CFPB-1CC-1O9</b>	Non-illuminated	Orange
<b>CFPB-1CC-2R9</b>	Red	Red
☆ <b>CFPB-1CC-3O9</b>	Orange	Orange
<b>CFPB-1CC-4W9</b>	Yellow	White
☆ <b>CFPB-1CC-5G9</b>	Green	Green
☆ <b>CFPB-1CC-5Y9</b>	Green	Yellow
☆ <b>CFPB-1CC-5B9</b>	Green	Blue

□ 11mm / 11mm Sq.

Part No.	LED color	Button color
<b>CFPB-1CC-1W1</b>	Non-illuminated	White
<b>CFPB-1CC-1R1</b>	Non-illuminated	Red
☆ <b>CFPB-1CC-1G1</b>	Non-illuminated	Green
☆ <b>CFPB-1CC-1Y1</b>	Non-illuminated	Yellow
☆ <b>CFPB-1CC-1B1</b>	Non-illuminated	Blue
☆ <b>CFPB-1CC-1O1</b>	Non-illuminated	Orange
<b>CFPB-1CC-2R1</b>	Red	Red
☆ <b>CFPB-1CC-3O1</b>	Orange	Orange
<b>CFPB-1CC-4W1</b>	Yellow	White
☆ <b>CFPB-1CC-5G1</b>	Green	Green
☆ <b>CFPB-1CC-5Y1</b>	Green	Yellow
☆ <b>CFPB-1CC-5B1</b>	Green	Blue

□ 12mm / 12mm Sq.

Part No.	LED color	Button color
<b>CFPB-1CC-1W2</b>	Non-illuminated	White
<b>CFPB-1CC-1R2</b>	Non-illuminated	Red
☆ <b>CFPB-1CC-1G2</b>	Non-illuminated	Green
☆ <b>CFPB-1CC-1Y2</b>	Non-illuminated	Yellow
☆ <b>CFPB-1CC-1B2</b>	Non-illuminated	Blue
☆ <b>CFPB-1CC-1O2</b>	Non-illuminated	Orange
<b>CFPB-1CC-2R2</b>	Red	Red
☆ <b>CFPB-1CC-3O2</b>	Orange	Orange
<b>CFPB-1CC-4W2</b>	Yellow	White
☆ <b>CFPB-1CC-5G2</b>	Green	Green
☆ <b>CFPB-1CC-5Y2</b>	Green	Yellow
☆ <b>CFPB-1CC-5B2</b>	Green	Blue

## Packaging Specifications

