

# U型分流器电阻- UBH-U-80-60F-t-W

U-type Shunt Resistors – UBH-U-80-60F-t-W



业展电子  
YEZHAN ELECTRONICS

## 特征 Features

精度 $\pm 1\%$	Tolerance $\pm 1\%$
过电流能力强	Excellent current ability
电子束焊接工艺	Electron-beam welding
低热电动势 $< 1\mu\text{V}/^\circ\text{C}$	Low thermal EMF $< 1\mu\text{V}/^\circ\text{C}$
紫铜引脚易于锡焊	Copper pins easy to solder
符合RoHS、REACH要求	RoHS、REACH Compliant
特殊规格可以订做	Customizable

## 应用范围 Applications

电流采样	Current Sensing
驱动技术	Drive technology
功率电子	Power Electronic
家电控制器	Home Appliance
通讯系统	Communication System

## 订购信息 Ordering Information

UBH	-U	-80	-60	F	-t	-W
Product Type	Shape	Current	Voltage	Tolerance	Suffix	Suffix
UBH	U: U-shape	Unit: A	Unit: mV	F: $\pm 1\%$	Special code	Special code

## 说明 Notice

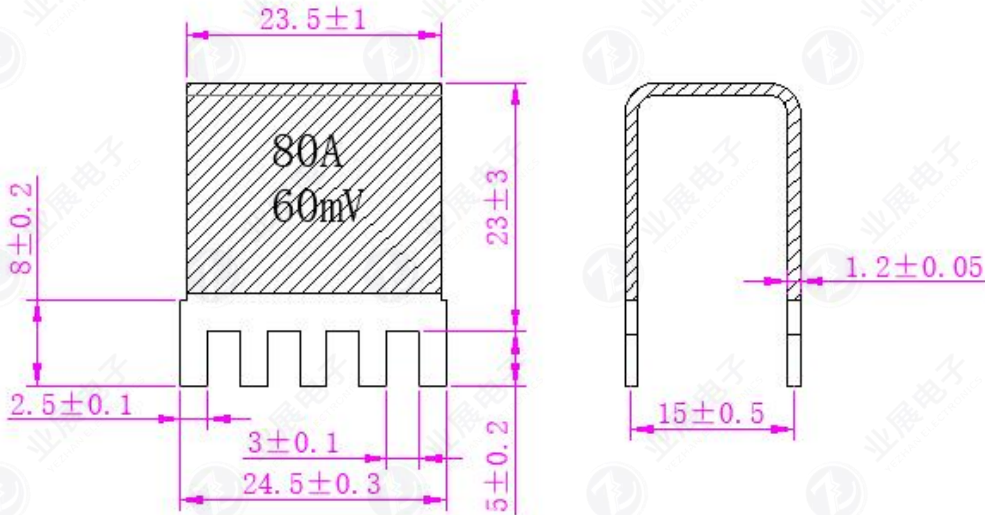
- 适用范围 Scope**
- 本承认书适用于深圳市业展电子有限公司 制造之[U型分流器电阻]。**  
This specification is available for Shunt Resistors manufactured by Shenzhen Yezhan Electronics Co., Ltd.
- 标准试验状态 Standard measuring conditions**
- 温度  $20\pm 2^\circ\text{C}$ 、湿度  $65\pm 5\%$ 。但在温度  $5\sim 35^\circ\text{C}$ 、湿度  $45\sim 85\%$  之情况下，仍可给予判定。**  
Temperature  $20\pm 2^\circ\text{C}$ , Humidity  $65\pm 5\%$ . Being no doubt about the judgment, measurements can be made within the following Temperature  $5\sim 35^\circ\text{C}$ , Humidity  $45\sim 85\%$ .

# U型分流器电阻- UBH-U-80-60F-t-W

U-type Shunt Resistors – UBH-U-80-60F-t-W

## 产品尺寸 Products Dimension

(Unit: mm)



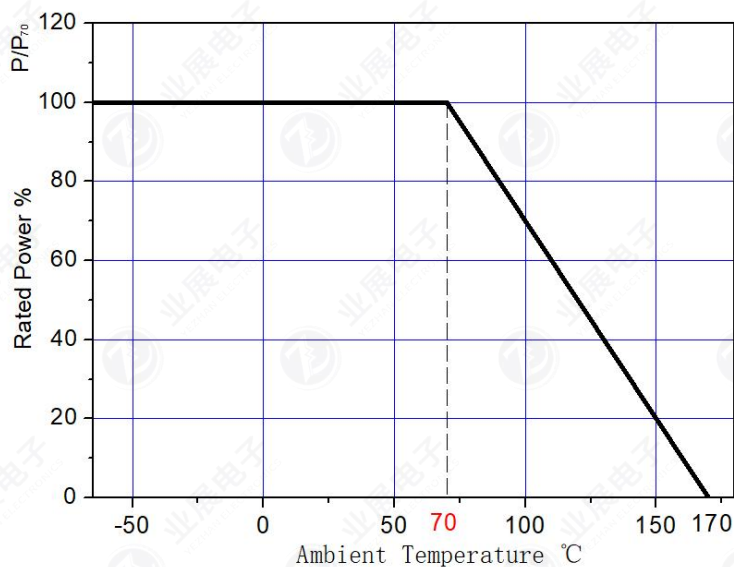
## 技术参数 Technical Data

Type	Shape	*Element Material	Resistance (mΩ)	Tolerance (%)	*TCR (ppm/°C)	P70 °C (W)	Applicable Temperature Range
UBH	U	M	0.75	±1%	±50	4.8W	-65°C to +170°C

\*备注Note: 1. Element Material K: Karma M: Manganin  
2. TCR测试温度范围: 20°C-120°C;  
TCR test temperature range: 20°C-120°C.

### 工作特性 Performance Data

#### 降功率曲线 Power Derating



### 耐久性测试 Endurance Test

Items	Additional Requirements	Reference	Limits
Operational Life	Condition D Steady State TA=70°C at rated power.	MIL-STD-202 Method 108	±0.5%
High Temperature Exposure	1000hrs.@T=170°C.Unpowered.	MIL-STD-202 Method 108	±0.5%
Biased Humidity	1000hrs 85°C/85%RH. Note: Specified conditions:10% of operating power.	MIL-STD-202 Method 103	±0.5%
Temperature Cycling	1000 Cycles (-55°C to +150°C)	JESD22 Method JA-104	±0.5%
Solderability	245°C±5°C,5s±0.5s	MIL-STD-202 Method 208H	95% Coverage Minimum
Short Time Overload	5×Rated power for 5s.	MIL-STD-202 Method 201	±0.5%
Resistance to Soldering Heat	260°C±5°C, 10s±1s.	MIL-STD-202 Method 210	±0.5%
Mechanical Shock	100g , 6ms , axes ±X 、 ±Y and ±Z, 3 Shocks per axis, total 18 times.	MIL-STD-202 Method 213	±0.5%
Vibration	(10 - 2000 Hz) ,5 g's for 20 min, 12 cycles each of 3 axis.	MIL-STD-202 Method 204	±0.5%

# U型分流器电阻- UBH-U-80-60F-t-W

U-type Shunt Resistors – UBH-U-80-60F-t-W



业展电子  
YEZHAN ELECTRONICS

## 印字标识 Marking

80A

60mV

80A: 过电流80A

60mV: 压降 60mV

## 包装 Packaging

散装包装

50颗/包

内外双包装

Bulk Packaging

50pcs/packet

Internal And External Package

# U型分流器电阻- UBH-U-80-60F-t-W

U-type Shunt Resistors – UBH-U-80-60F-t-W



业展电子  
YEZHAN ELECTRONICS

业展电子

2023.12.20

受控文件

## 版本信息 Version History

版本 Version	日期 Date	修改描述 Description of amendment	拟定 Draft	审核 Checked
A1.0	19-Dec-2023	首版发行	张瑞	严涛

YZ-WP-EN-617