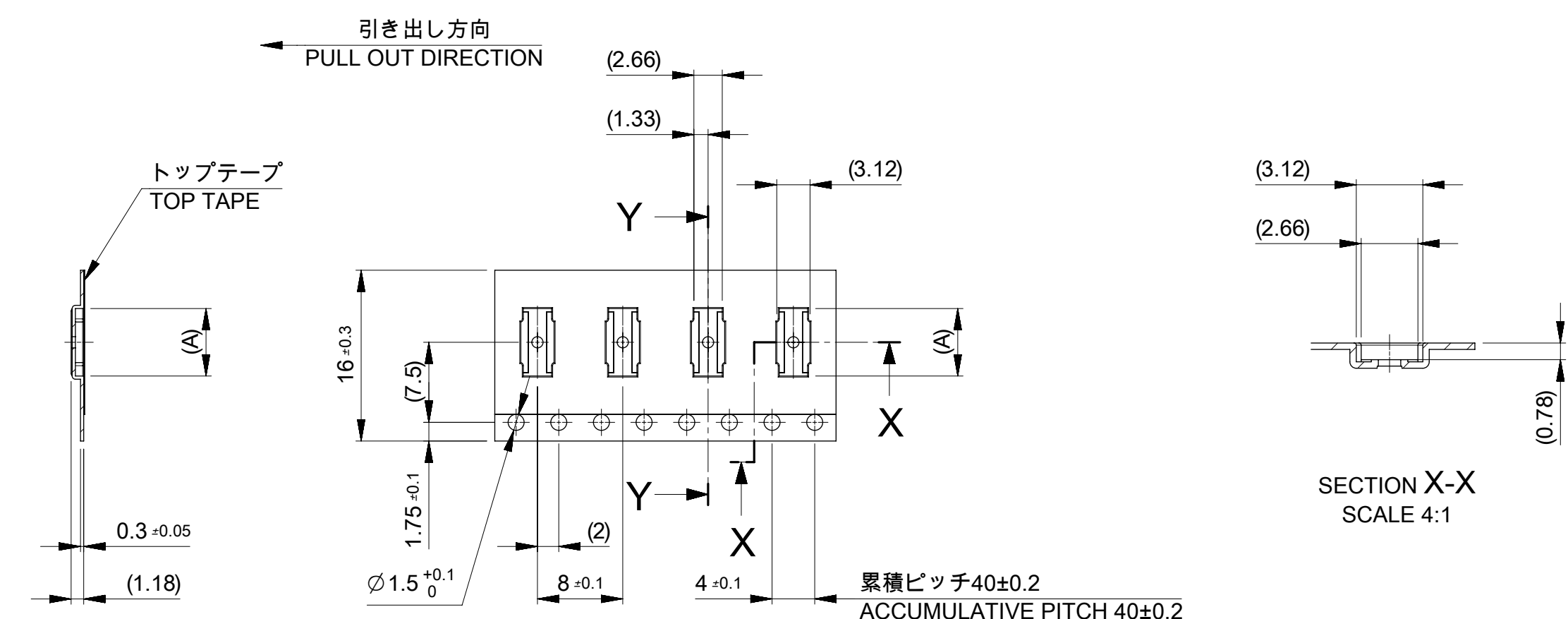


注記 NOTES

- 製品詳細寸法については製品単体図面を参照下さい。  
DETAIL DIMENSIONS, SEE PRODUCT DRAWING.
- 梱包数量 : 9000個/リール  
NUMBER OF CONNECTORS : 9000PCS/REEL
- リードテープ長さ  
LEAD TAPE LENGTH
- カバーテープの剥離強度については、IEC60286-3に準拠  
COVER TAPE PEEL FORCE IS DEFINED BY IEC60286-3.
- 材料 MATERIAL  
 キャリアテープ ( CARRIER TAPE ) : ポリスチレン ( POLYSTYRENE )  
 トップテープ ( TOP TAPE ) : PET,OTHER  
 リール ( REEL ) : ポリスチレン ( PS ) <リサイクル材を含む >  
 POLYSTYRENE ( PS ) < RECYCLE MATERIAL CONTAINED >
- 1リール/9000個内において、欠品はなきこと  
THERE SHALL BE NO MISSING PRODUCT.
- ELV及びRoHS適合品  
ELV AND RoHS COMPLIANT.

MODEL No. 503304-\*\*42

THIS DRAWING CONTAINS INFORMATION THAT IS PROPRIETARY TO MOLEX ELECTRONIC TECHNOLOGIES, LLC AND SHOULD NOT BE USED WITHOUT WRITTEN PERMISSION										
RELEASED	EC NO. 113200	DRWN: GABE	CHK'D: KTAKAHASHI	APPR: MSASAO	GENERAL TOLERANCES (UNLESS SPECIFIED)	DIMENSION UNITS	SCALE	<b>molex</b> <sup>®</sup>		
	2016/11/24	2017/02/21	2017/02/21	2017/02/21	ANGULAR TOL ± 3.0 °	MM	1:1			
					4 PLACES ± 0.03	DRWN BY	DATE	0.4 BB CONN. H=0.7 REC. ASSY EMBSTP PKG		
					3 PLACES ± 0.03	GABE	2016/11/24			
					2 PLACES ± 0.05	CHK'D BY	DATE	PRODUCT CUSTOMER DRAWING		
				1 PLACE ± 0.1	KTAKAHASHI	2017/02/21				
				0 PLACES ± 0.2	APPR BY	DATE	SERIES	MATERIAL NUMBER	CUSTOMER	
				DRAFT WHERE APPLICABLE MUST REMAIN WITHIN DIMENSIONS	MSASAO	2017/02/21	503304	SEE CHART	GENERAL	
A	REV				DRAWING SIZE	THIRD ANGLE PROJECTION	DOCUMENT NUMBER	DOC TYPE	DOC PART	SHEET NUMBER
					A3		5033040001	PSD	000	1 OF 3



SECTION Y-Y

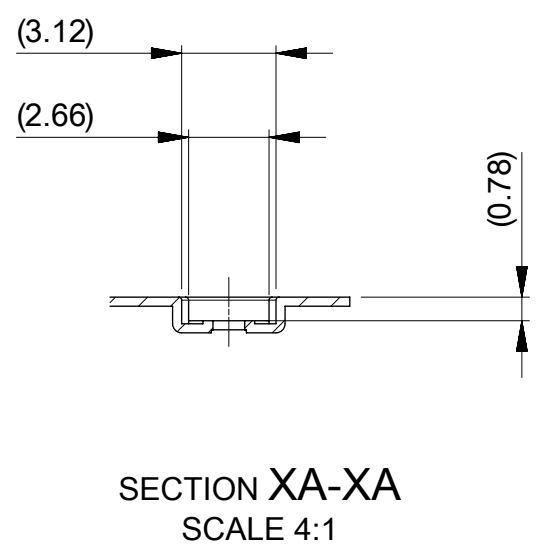
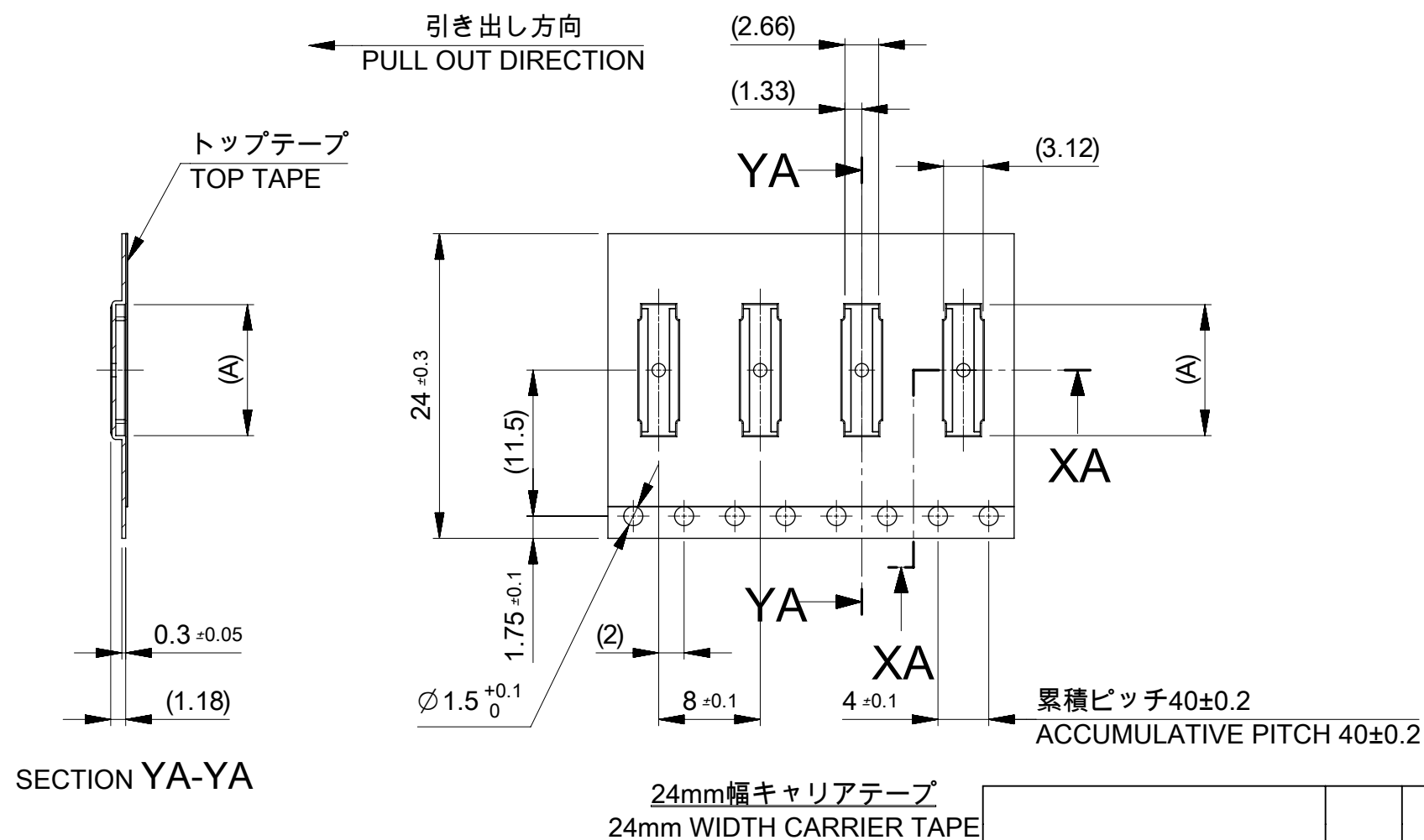
16mm幅キャリアテープ  
16mm WIDTH CARRIER TAPE

SECTION X-X  
SCALE 4:1

16	21.4	17.4	7.52	503304-2642	○	26
			7.12	503304-2442	○	24
			6.32	503304-2042	○	20
			5.92	503304-1842	○	18
			5.52	503304-1642	○	16
			4.72	503304-1242	○	12
キャリアテープ幅 CARRIER TAPE WIDTH	C	B	(A)	EMBOSSED PACKAGE	HIGH VOL. TOOL	極数 CKT.
				オーダー番号 ORDER No.	SAMPLE PREPARATION	
				MODEL No. 503304-**42		

THIS DRAWING CONTAINS INFORMATION THAT IS PROPRIETARY TO MOLEX ELECTRONIC TECHNOLOGIES, LLC AND SHOULD NOT BE USED WITHOUT WRITTEN PERMISSION

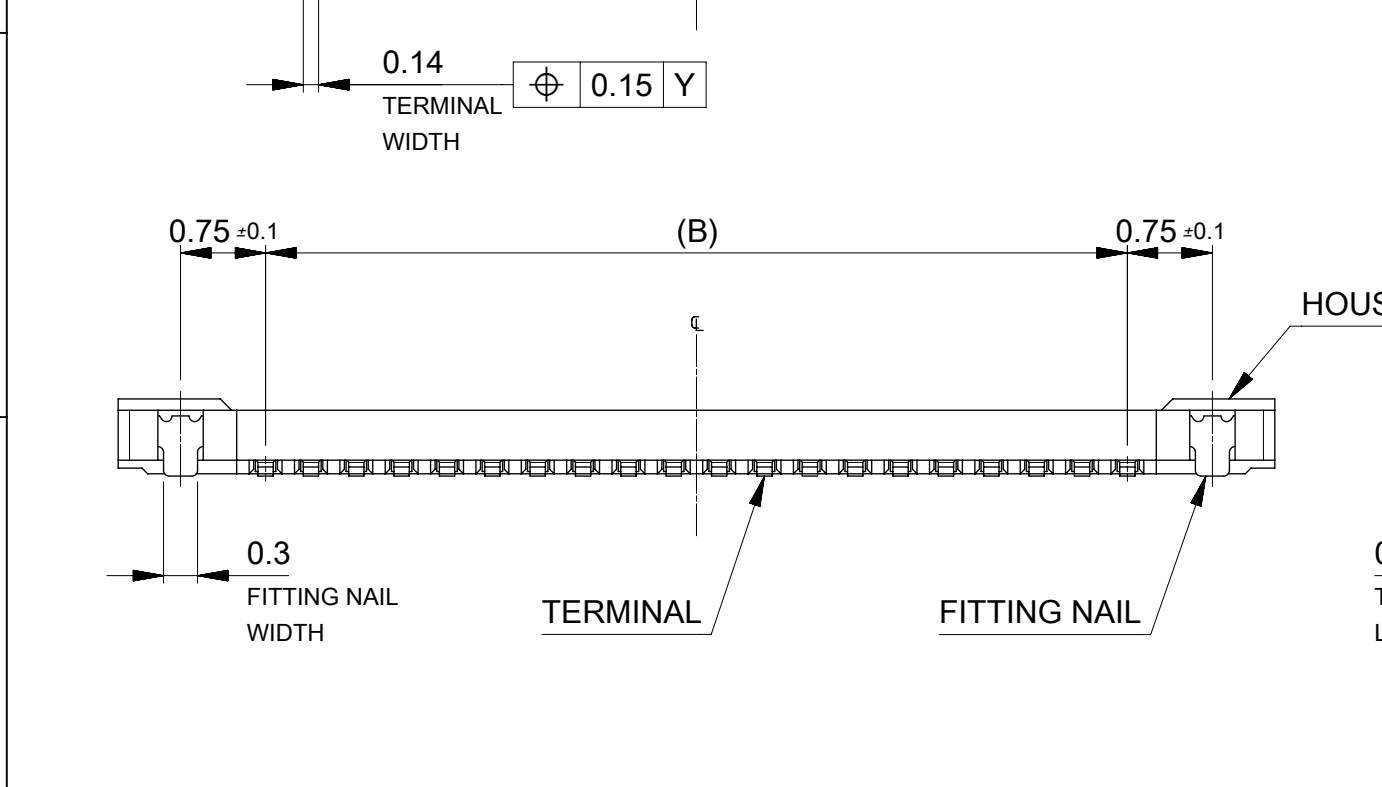
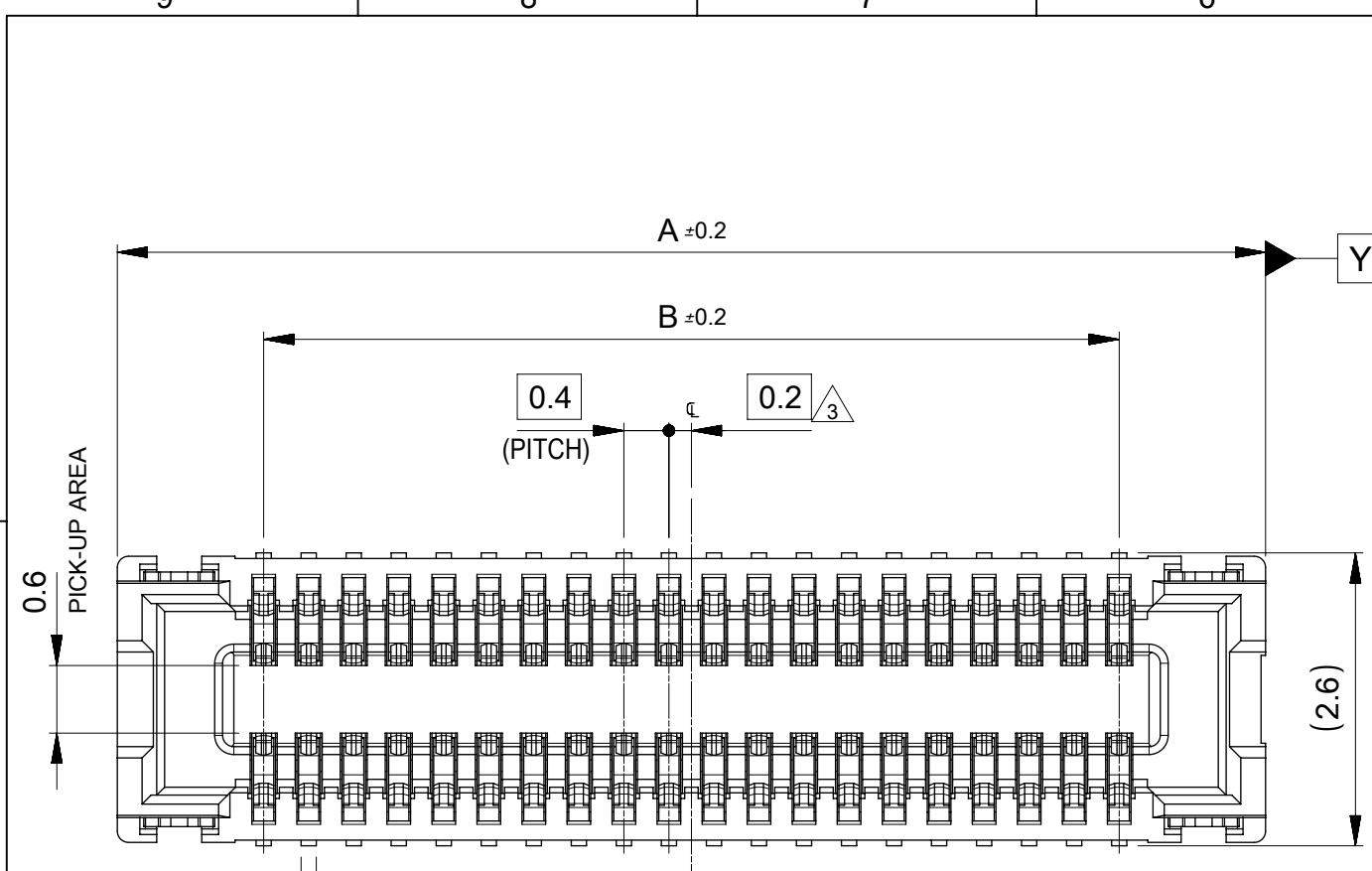
EC NO: 113200 DRWN: GABE CHK'D: KTAKAHASHI APPR: MSASAO REV: A	2016/11/24 2017/02/21 2017/02/21	GENERAL TOLERANCES (UNLESS SPECIFIED) ANGULAR TOL ± 3.0 ° 4 PLACES ± 0.03 3 PLACES ± 0.03 2 PLACES ± 0.05 1 PLACE ± 0.1 0 PLACES ± 0.2	DIMENSION UNITS: MM SCALE: 2:1 DRWN BY: GABE DATE: 2016/11/24 CHK'D BY: KTAKAHASHI DATE: 2017/02/21 APPR BY: MSASAO DATE: 2017/02/21	<b>molex®</b> 0.4 BB CONN. H=0.7 REC. ASSY EMBSTP PKG	
	DRAFT WHERE APPLICABLE MUST REMAIN WITHIN DIMENSIONS		DRAWING SIZE: A3 THIRD ANGLE PROJECTION	PRODUCT CUSTOMER DRAWING	
	SERIES: 503304 MATERIAL NUMBER: SEE CHART CUSTOMER: GENERAL		DOCUMENT NUMBER: 5033040001 DOC TYPE: PSD DOC PART: 000 SHEET NUMBER: 2 OF 3		
	RELEASE STATUS: P1 RELEASE DATE: 21.02.2017 05:22:40		DATE: 2015/12/14		
	FORMAT: master-b-prod-A3 REVISION: 0				



24	29.4	25.4	14.32	503304-6042	○	60
			12.32	503304-5042	○	50
			11.12	503304-4442	○	44
			10.72	503304-4242	○	42
			10.32	503304-4042	○	40
			8.32	503304-3042	○	30
キャリアテープ幅 CARRIER TAPE WIDTH	C	B	(A)	EMBOSSED PACKAGE	HIGH VOL. TOOL	極数 CKT.
				オーダー番号 ORDER No.	SAMPLE PREPARATION	
				MODEL No. 503304-**42		

THIS DRAWING CONTAINS INFORMATION THAT IS PROPRIETARY TO MOLEX ELECTRONIC TECHNOLOGIES, LLC AND SHOULD NOT BE USED WITHOUT WRITTEN PERMISSION

EC NO: 113200 DRWN: GABE CHK'D: KTAKAHASHI APPR: MSASAO RELEASED	2016/11/24	GENERAL TOLERANCES (UNLESS SPECIFIED) ANGULAR TOL ± 3.0 ° 4 PLACES ± 0.03 3 PLACES ± 0.03 2 PLACES ± 0.05 1 PLACE ± 0.1 0 PLACES ± 0.2 DRAFT WHERE APPLICABLE MUST REMAIN WITHIN DIMENSIONS	DIMENSION UNITS	SCALE		
	2017/02/21		MM	2:1		
	2017/02/21		DRWN BY	DATE		GABE 2016/11/24
			CHK'D BY	DATE		KTAKAHASHI 2017/02/21
			APPR BY	DATE		MSASAO 2017/02/21
A	REV		DRAWING SIZE	THIRD ANGLE PROJECTION	PRODUCT CUSTOMER DRAWING	
			A3		SERIES: 503304	
					MATERIAL NUMBER: SEE CHART	
					CUSTOMER: GENERAL	
					DOCUMENT NUMBER: 5033040001	
					DOC TYPE: PSD	
					DOC PART: 000	
					SHEET NUMBER: 3 OF 3	



注記 NOTES

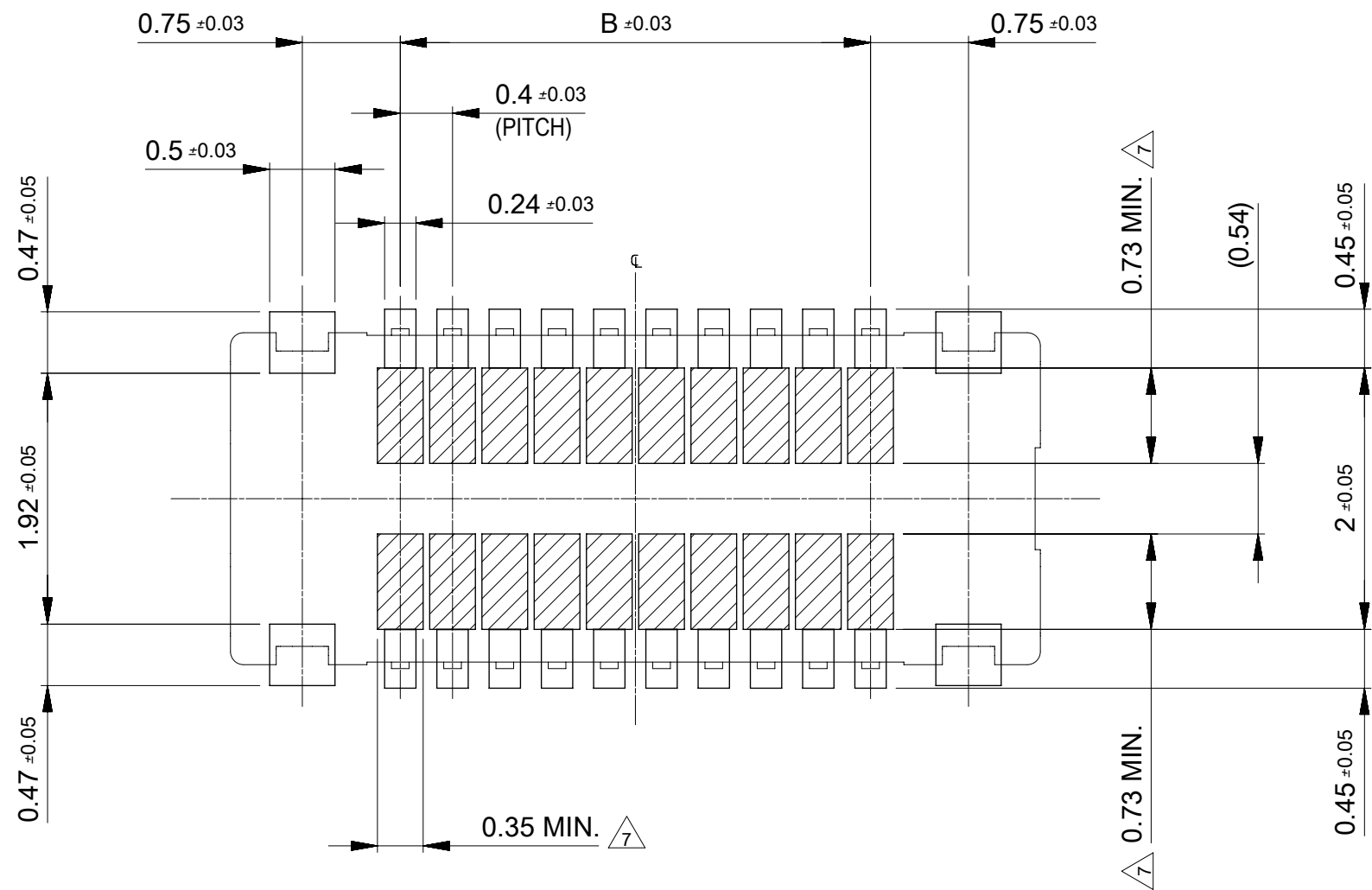
1. 使用材料 MATERIAL  
 ハウジング : 液晶ポリマー(LCP) UL94V-0(黒)  
 HOUSING : LIQUID CRYSTAL POLYMER, UL94V-0 (COLOR : BLACK)  
 ターミナル : 銅合金  
 TERMINAL : COPPER ALLOY  
 金具 : 銅合金  
 FITTING NAIL : COPPER ALLOY
2. めっき仕様 PLATING  
 ターミナル TERMINAL  
 コンタクト部 : 金めっき 0.1マイクロメートル以上  
 CONTACT AREA : GOLD 0.1 MICROMETER MINIMUM.  
 テール部 : 金めっき  
 SOLDER TAIL AREA : GOLD  
 下地めっき : ニッケルめっき 1.0マイクロメートル以上  
 UNDER PLATING : NICKEL 1.0 MICROMETER MINIMUM.  
 ※コンタクト部とテール部は、ニッケルめっきによって  
 分断されている金めっきです。  
 DIVIDE INTO PARTS THE GOLD PLATING OF THE CONTACT  
 AND THE TAIL PART BY THE NICKEL PLATING.
- 金具 FITTING NAIL  
 錫めっき : 1.0マイクロメートル以上  
 TIN PLATING : 1.0 MICROMETER MINIMUM.  
 下地めっき : ニッケルめっき 1.0マイクロメートル以上  
 UNDER PLATING : NICKEL 1.0 MICROMETER MINIMUM.

- △<sub>3</sub> (全極数/2)=偶数の場合に適用。  
 APPLY FOR (CIRCUIT/2)=EVEN.
4. 嵌合相手 : 503308シリーズ  
 MATE WITH : 503308 SERIES.
5. テール平坦度は、0.08以下。  
 テール及び金具の平坦度は、0.1以下。  
 TAIL COPLANARITY TO BE 0.08 MAXIMUM.  
 TAIL AND FITTING NAIL COPLANARITY TO BE 0.1 MAXIMUM.
6. ELV AND RoHS COMPLIANT.
- △<sub>7</sub> パターン及び半田禁止エリア  
 (当該箇所においては、これと接する回路以外の配線を禁止する。  
 また、接する回路を配線する場合はレジストを施し、  
 この部分に半田は無きこととする。)  
 PROHIBITED AREA OF PATTERN WIRING AND SOLDER.  
 (FOR EACH AREA, THE WIRING THAT TOUCHES  
 ON THE SOLDER CAN BE ATTACHED. THEN COVERD  
 WITH A FILM TO KEEP SOLDER OUT.)

11.6	14.2	503304-6042	○	60
9.6	12.2	503304-5042	○	50
8.4	11.0	503304-4442	○	44
8.0	10.6	503304-4242	○	42
7.6	10.2	503304-4042	○	40
5.6	8.2	503304-3042	○	30
4.8	7.4	503304-2642	○	26
4.4	7.0	503304-2442	○	24
3.6	6.2	503304-2042	○	20
3.2	5.8	503304-1842	○	18
2.8	5.4	503304-1642	○	16
2.0	4.6	503304-1242	○	12
B	A	EMBOSSED PACKAGE	HIGH VOL. TOOL	極数 CIRCUITS
		オーダー番号 ORDER No.	SAMPLE PREPARATION	
		CONNECTOR SERIES No. : 503304-**49		

THIS DRAWING CONTAINS INFORMATION THAT IS PROPRIETARY TO MOLEX ELECTRONIC TECHNOLOGIES, LLC AND SHOULD NOT BE USED WITHOUT WRITTEN PERMISSION

EC NO: 113200 DRWN: GABE CHK'D: KTAKAHASHI APPR: MSASAO	2016/11/24 2017/02/21 2017/02/21	GENERAL TOLERANCES (UNLESS SPECIFIED) ANGULAR TOL ± 3.0 ° 4 PLACES ± 0.03 3 PLACES ± 0.03 2 PLACES ± 0.05 1 PLACE ± 0.1 0 PLACES ± 0.2	DIMENSION UNITS: MM SCALE: 15:1		
	DRWN BY: GABE DATE: 2016/11/24	CHK'D BY: KTAKAHASHI DATE: 2017/02/21	APPR BY: MSASAO DATE: 2017/02/21		PRODUCT CUSTOMER DRAWING
	DRAWING SIZE: A3 THIRD ANGLE PROJECTION	SERIES: 503304 MATERIAL NUMBER: SEE CHART CUSTOMER: GENERAL	DOCUMENT NUMBER: 5033041001 DOC TYPE: PSD DOC PART: 000 SHEET NUMBER: 1 OF 2		
	DRAFT WHERE APPLICABLE MUST REMAIN WITHIN DIMENSIONS	RELEASED	RELEASE STATUS: P1 RELEASE DATE: 21.02.2017 05:22:41		



RECOMMENDED P.W.BOARD PATTERN LAYOUT (REFERENCE)

RECOMMENDED THICKNESS OF METAL MASK : t=0.1 mm

RECOMMENDED OPEN APERTURE RATIO OF METAL MASK : 100%

THIS DRAWING CONTAINS INFORMATION THAT IS PROPRIETARY TO MOLEX ELECTRONIC TECHNOLOGIES, LLC AND SHOULD NOT BE USED WITHOUT WRITTEN PERMISSION

EC NO: 113200 DRWN: GABE CHK'D: KTAKAHASHI APPR: MSASAO	2016/11/24 2017/02/21	GENERAL TOLERANCES (UNLESS SPECIFIED) ANGULAR TOL ± 3.0 ° 4 PLACES ± 0.03 3 PLACES ± 0.03 2 PLACES ± 0.05 1 PLACE ± 0.1 0 PLACES ± 0.2 DRAFT WHERE APPLICABLE MUST REMAIN WITHIN DIMENSIONS	DIMENSION UNITS	SCALE				
	DRWN BY: GABE DATE: 2016/11/24		MM	20:1				
	CHK'D BY: KTAKAHASHI DATE: 2017/02/21		APPR BY: MSASAO DATE: 2017/02/21		0.4 BB CONN. H=0.7 REC. ASSY			
	DRAFT WHERE APPLICABLE MUST REMAIN WITHIN DIMENSIONS		DRAWING SIZE	THIRD ANGLE PROJECTION	PRODUCT CUSTOMER DRAWING			
	A		A3		SERIES	MATERIAL NUMBER	CUSTOMER	
RELEASE STATUS: P1 RELEASE DATE: 21.02.2017 05:22:41		503304		SEE CHART	GENERAL			
DOCUMENT NUMBER: 5033041001				DOC TYPE: PSD	DOC PART: 000	SHEET NUMBER: 2 OF 2		