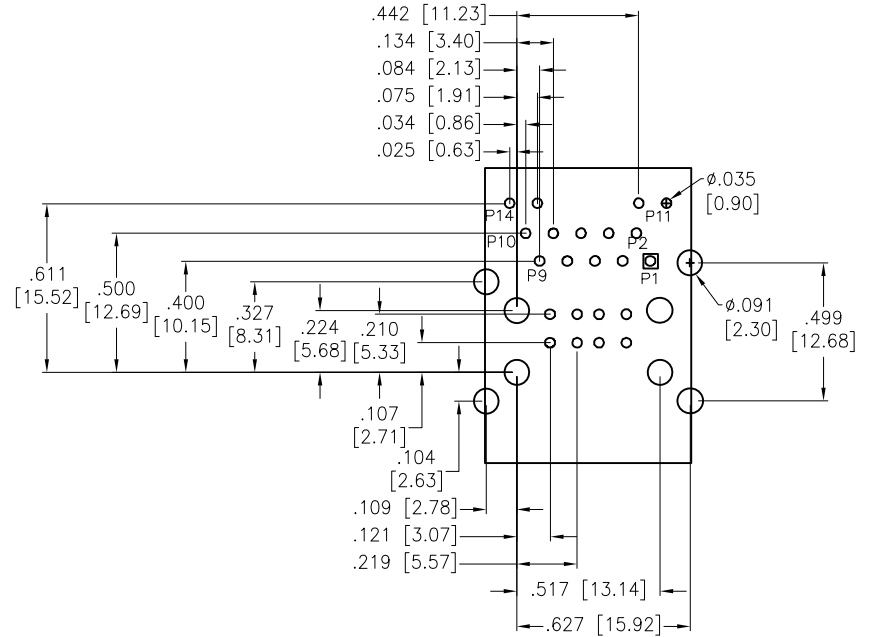
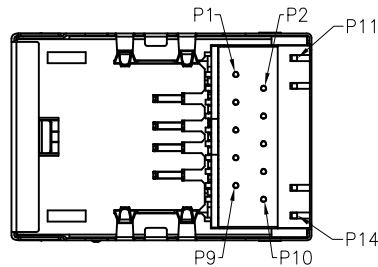
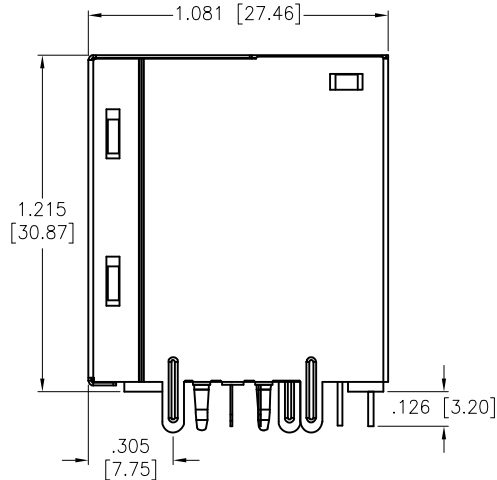
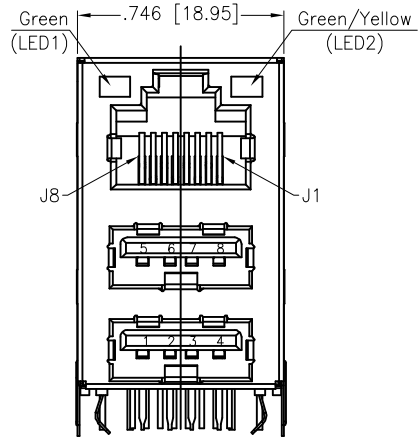


APPROVED: \_\_\_\_\_  
 DATE: \_\_\_\_\_ TITLE: \_\_\_\_\_

Rev	AWO #	Description	Date	Appr
-		RELEASED	3/11/15	
A		UPDATED DRAWING	6/20/17	HR/YC
B		UPDATED SPEC.	4/27/18	AY/MY
C		UPDATED DIM.	5/27/20	AY/RC



RECOMMENDED PCB LAYOUT

**SPECIFICATIONS:**

**Material:**  
 Insulator: PBT, rated UL 94V-0  
 Insulator color: Black  
 Contacts: Phosphor Bronze  
 Shield: SUS304  
**Plating:**  
 Round contact  
 Gold over Nickel underplate overall  
 Flat contact  
 Gold over Nickel underplate on contact area,  
 Tin over Nickel underplate on solder tails  
**Electrical:**  
 Voltage rating: 150 VAC  
 Contact Resistance: 20 mohms max  
 Insulation resistance: 500 Mohms min  
 Dielectric withstanding voltage: 2250 VDC  
 Temperature Rating:  
 Operating temperature: 0°C to +70°C  
**Environmental:**  
 Lead free, RoHS compliant.



UNLESS OTHERWISE SPECIFIED  
 ALL DIMENSIONS ARE INCHES [MM]  
 TOLERANCES: EXCEPT AS NOTED  
 INCHES HOLES  
 .X ±.10 Ø.X ±.10  
 .XX ±.020 Ø.XX ±.015  
 .XXX ±.015 Ø.XXX ±.010

APPROVALS		DATE
DRAWN	HR	3/11/15
CHECKED	wy	3/11/15
APPROVED		

**ADAM TECH**  
 INTERCONNECTS  
 909 Rahway Avenue,  
 Union, NJ 07083  
 Phone: 908-687-5000  
 Fax: 908-687-5710

TITLE MODULAR TELEPHONE JACK, 1 PORT, 8P8C W/ LED1 GRN, LED2 GRN/YEL, DUAL USB		
SIZE X	PART NO. MTJ-DUSB-88JX1-FS-RL35-M86C	REV. C
REF: S00005C	SCALE: NTS	SHEET 1 OF 2

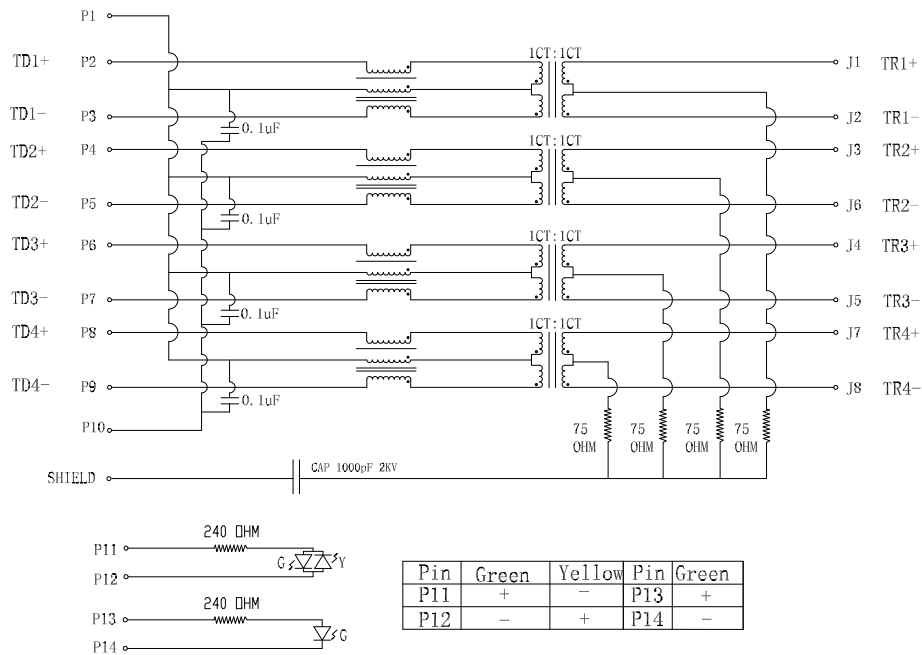
APPROVED: \_\_\_\_\_

DATE: \_\_\_\_\_ TITLE: \_\_\_\_\_

Rev	AWO #	Description	Date	Appr
-----	-------	-------------	------	------

SEE SHT 1 OF 2 FOR REVISION

Circuit Schematic:



Electronical Specifications:

- Turn Ratio @100KHz: (P2~P3):(J1~J2) = 1:1±5%  
(P4~P5):(J3~J6) = 1:1±5%  
(P6~P7):(J4~J5) = 1:1±5%  
(P8~P9):(J7~J8) = 1:1±5%
- Primary Inductance: 350uH MIN @100KHZ,0.1V 8mA DC BIAS
- DC Resistance: 1.2 OHMS MAX
- Insertion Loss: 1-100MHz -1.0dB MIN  
100-125MHz -1.2dB MIN
- Return Loss: 1-40MHz -16dB MAX  
40-60MHz -12dB MAX  
60-80MHz -10dB MAX  
80-100MHz -8dB MAX
- CROSS TALK: 1-100MHz -30dB MAX
- COMMON TO COMMON MODE ATTENUATION: 1-100MHz -30dB MIN
- Isolation: PHY Side to Line Side: 2250VDC

UNLESS OTHERWISE SPECIFIED  
ALL DIMENSIONS ARE INCHES [MM]  
TOLERANCES: EXCEPT AS NOTED  
INCHES HOLES

.X	± .10	∅X	± .10
.XX	± .020	∅.XX	± .015
.XXX	± .015	∅.XXX	± .010

**ADAM TECH**  
INTERCONNECTS

909 Rahway Avenue,  
Union, NJ 07083  
Phone: 908-687-5000  
Fax: 908-687-5710

TITLE: MODULAR TELEPHONE JACK, 1 PORT, 8P8C  
W/ LED1 GRN, LED2 GRN/YEL, DUAL USB

APPROVALS		DATE
DRAWN	HR	3/11/15
CHECKED	wy	3/11/15
APPROVED		

SIZE	PART NO.	REV.
X	MTJ-DUSB-88JX1-FS-RL35-M86C	C
REF:	S00005C	SCALE: NTS
		SHEET 2 OF 2