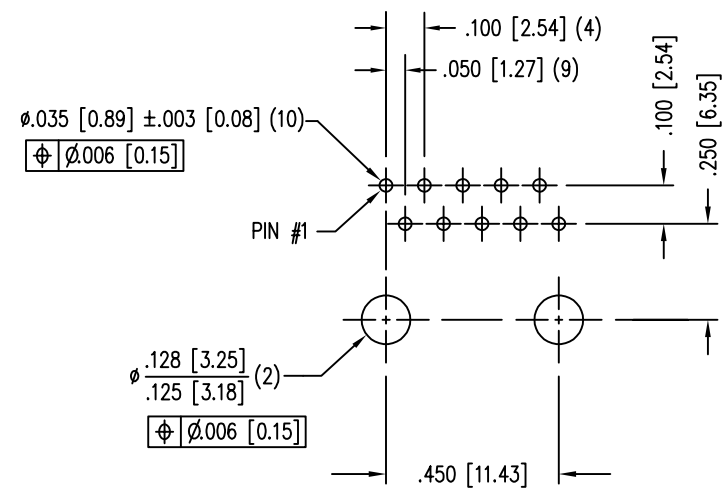
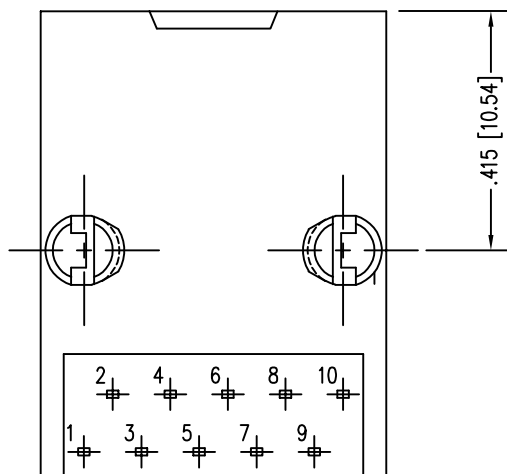
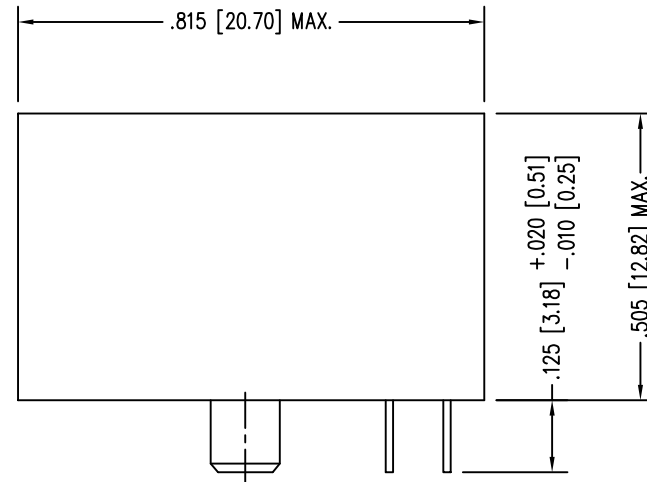
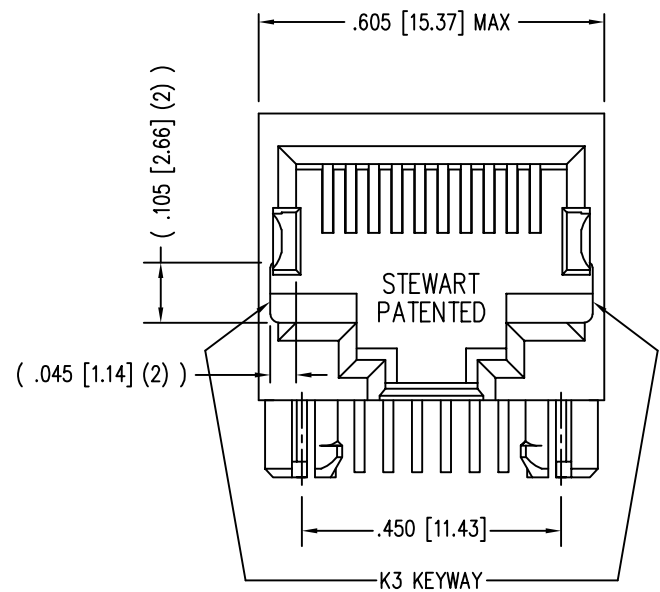


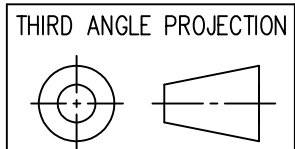
| DATE | REV | ECN | APP'D. BY |
|---------|-----|-------|-----------|
| 1-13-15 | A5 | 10187 | TRM |
| 3-8-16 | A6 | 10593 | TRM |
| 3-27-17 | A7 | 10940 | TRM |
| | | | |



P.C.B. RECOMMENDED HOLE LAYOUT
SEEN FROM COMPONENT SIDE
ALL CENTERLINE DIMENSIONS ARE BASIC.

- NOTES:
- CONNECTOR MATERIALS:
HOUSING: THERMOPLASTIC UL94 V-0
CONTACTS: COPPER ALLOY
CONTACT PLATING: SELECTIVE GOLD IN CONTACT AREA
SEE CHART FOR PART NUMBER
 - FOR PRODUCT SPECIFICATION SEE PRO22-01
 - DIMENSIONS AND TOLERANCES COMPLY WITH TIA-1096 STANDARD.

| | |
|-----------------------------------|--------------|
| 30 MICRO-INCHES [0.76um] | SS64100-034F |
| CONTACT PLATING IN MATING AREA | PART NUMBER |



1118 Susquehanna Trail South
Glen Rock, PA 17327-9199
(717) 235-7512
<http://www.stewartconnector.com>

| | | |
|--|---|---------------|
| DO NOT SCALE DRAWING DRAWING IS SUBJECT TO CHANGE WITHOUT NOTICE | TITLE: TEN CONTACT, TEN POSITION, UNSHIELDED JACK NON-FLANGED, K3 KEYING OPTION & R.O.H.S. COMPLIANT | |
| DIMENSIONS: INCHES [METRIC] | DRN BY: TRM | DATE 11/09/04 |
| UNLESS OTHERWISE SPECIFIED TOLERANCES ARE $\pm .005 [0.13]$ ANGLES ARE $\pm 1^\circ$ | APPD BY: RGC | DATE 11/09/04 |
| SHEET NO. 1 OF 1 | DWG NO. CT640074F | REV. A7 |

