



**Mallory Sonalert Products, Inc.**

Part #:

**SNP428R**

**Sales Outline Drawing**

Revision:

**B**

**Specifications:**

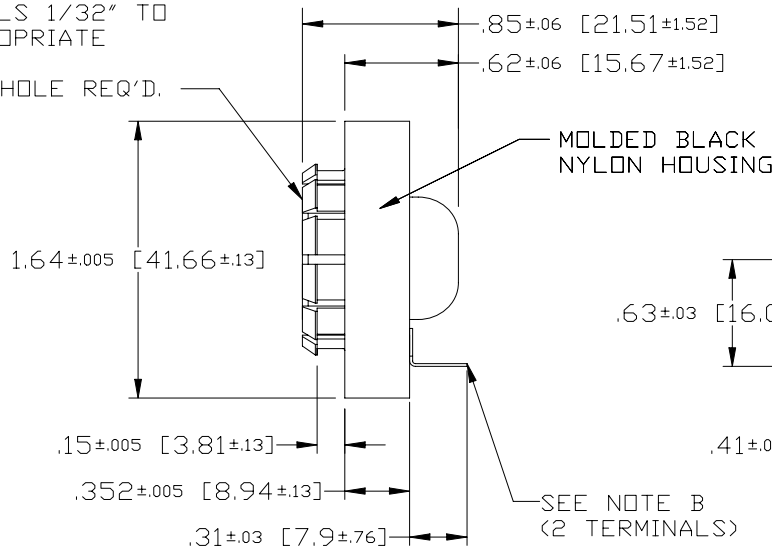
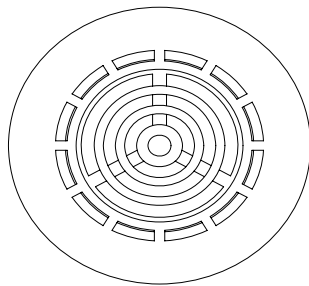
Sound Level Category	Medium
Mode of Operation	Continuous
Voltage Rating	4 to 28 VDC
Frequency	2900 ± 500 Hz
Loudness @ 2 FT	69 to 83 Typ.
Current Draw	3-18 mA
Housing Material	6/6 Nylon, Color: Black
Storage Temperature	-40° to +85° C
Operating Temperature	-30° to +65° C
Panel Mounting	Recommended hole size is 1.25"(31.75mm). Thread front will fit standard 30mm(1.181") hole.
Weight (Typical)	0.5 oz (17g)
Options	Please contact factory.

**Dimensions:** Inches (mm)

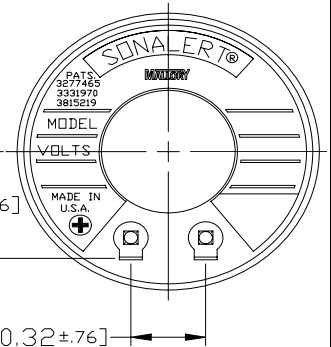
**cUL Recognized**

**ROHS Compliant**

NOTE A:  
 MOUNTING - THIS PORTION  
 SNAP-LOCKS INTO PANELS 1/32" TO  
 1/8" THICK USING APPROPRIATE  
 COMPRESSION WASHER.  
 1.063 ±.005 DIA. PANEL HOLE REQ'D.



MOLDED BLACK NYLON HOUSING



SEE NOTE B  
(2 TERMINALS)

NOTE B:  
 TERMINALS - .016 BRASS, HOT TIN FINISH WITH  
 .076 WIRE HOLE. TERMINAL WILL ACCEPT  
 STANDARD 1/8" QUICK CONNECT