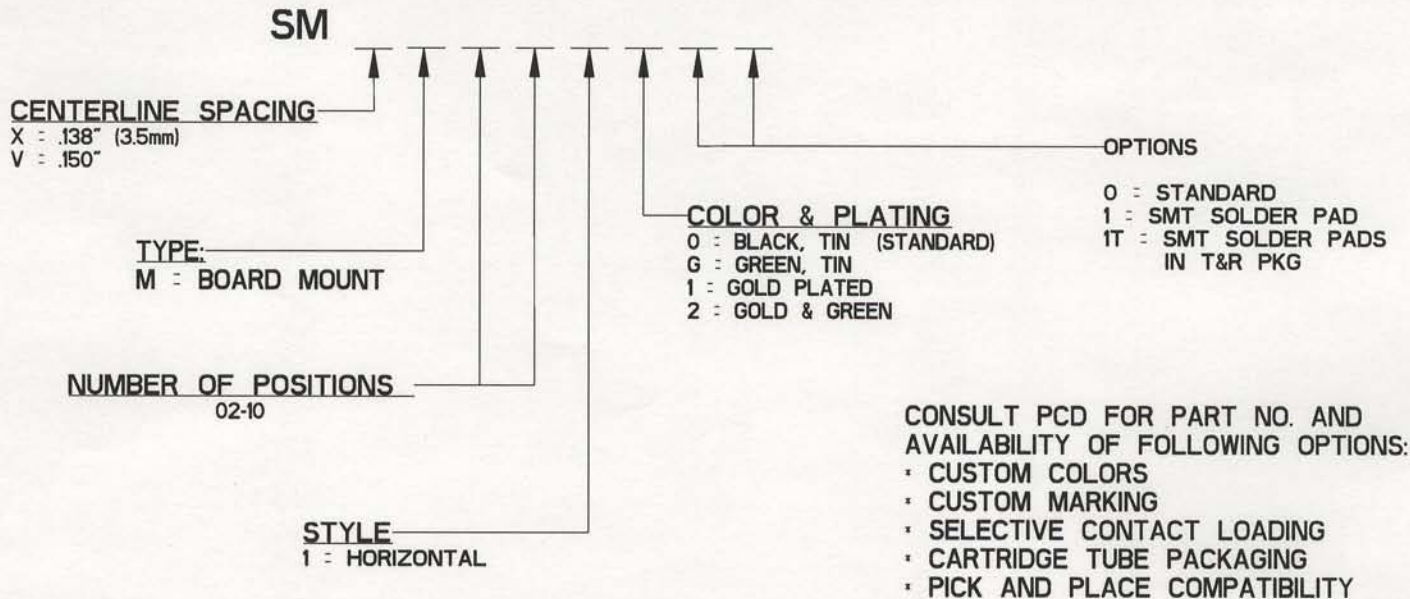


REV	ECN	APP'D
-	3851	JEC 10-14-99
A	5461	SH 5-25-04
B	5742	RN 12/28/05

# SM "SURFACE MOUNT" SERIES PART NUMBERING SCHEME



**RATINGS**  
 CURRENT - 12A  
 VOLTAGE - 300V  
 U.L. FILE NO. E83421



**RATINGS**  
 CURRENT - 12A  
 VOLTAGE - 300V  
 CSA FILE NO. LR69703

DIN VDE 0627:1986  
 DIN VDE 0110-1:1989  
 EN 60947-1:1991  
 EN 60947-7-1:1992

CURRENT - PENDING  
 VOLTAGE - PENDING  
 TUV FILE NO. 20396

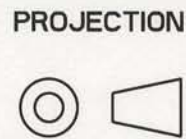
**INSTALLATION RECOMMENDATIONS**  
 WIRE RANGE: AWG #16-28, STRANDED OR SOLID  
 WIRE STRIP LENGTH: .250"  
 TIGHTENING TORQUE: 2.2 LB-IN.

**MATERIALS:**  
 HOUSING: PA 4/6, UL 94 V-0  
 CONTACT: BRASS, OPTIONAL FINISH

MAX OPERATING TEMPERATURE: 125°C  
 MAX INTRUSIVE SOLDER TEMP: 250°C

**DIMENSIONS**  
 ANSI Y14.5M  
 UNITS: INCHES  
 Pro/E FILE

**TOLERANCES**  
 .XX ±0.01  
 .XXX ±0.005  
 ANGLES ±2.0°



**Amphenol Pcd**

ENGR  
 J. WILKINSON 9/17/99

CHKD  
 A. PATRIE 10-14-99

APPD  
 J. CAHALY 10-14-99

**TITLE**  
 SMVM / SMXM  
 SURFACE MOUNT CONNECTOR  
 ASSEMBLY

ORIGINAL  
 STAMPED  
 IN RED

THIS DOCUMENT CONTAINS  
 PROPRIETARY INFORMATION WHICH  
 IS THE CONFIDENTIAL PROPERTY  
 OF AMPHENOL PCD, INC.  
 PEABODY, MA, USA

SIZE  
**A**

DWG NO.  
**SMVM02100**

REV  
**B**

CODE: 58982

SCALE: NONE

SHEET 1 OF 3

# PACKAGING

**CARTRIDGE TUBES:**  
15.0" x 0.5" x 0.5"

**TRAYS:**  
11.0" x 7.5" x 0.5"

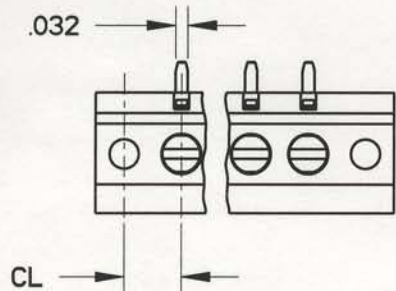
**TAPE & REEL:**  
44MM TAPE ON  $\phi 13$ " REELS  
250 PCS/REEL



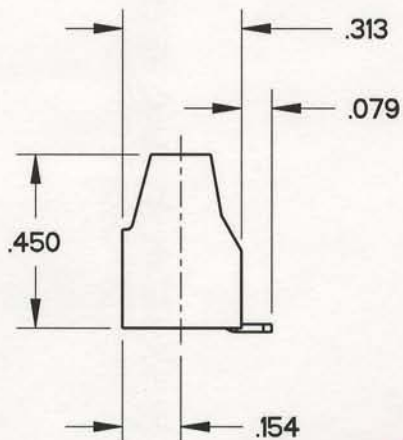
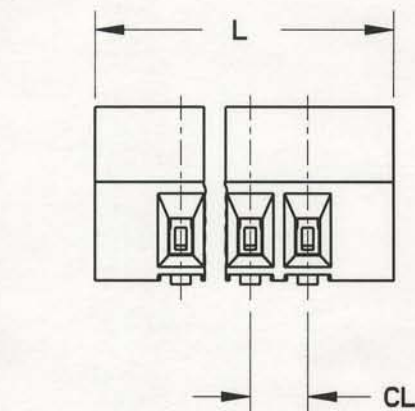
**MOUNTING SCREWS (2):**  
B 2.2 x 6.0 INCLUDED

SCALE 2:1

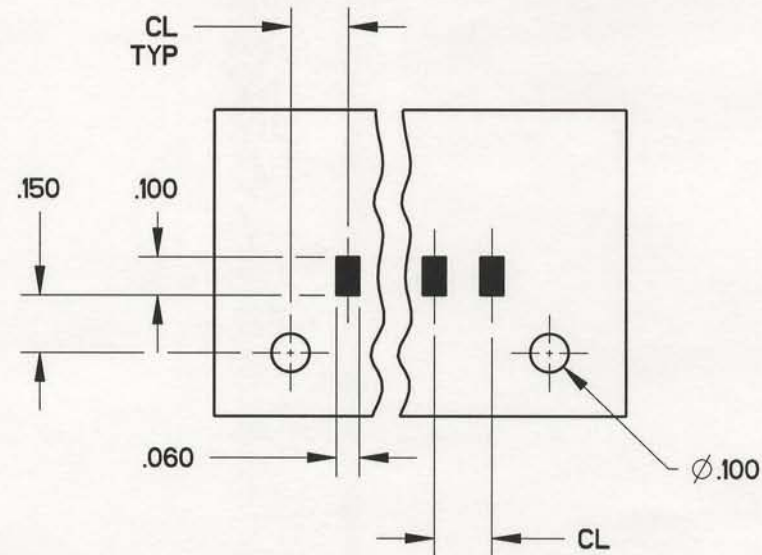
PART NO.	POS	DIM L $\pm .002/1N$	# OF PARTS IN TUBE	# OF PARTS IN TRAY
SMVM021XX	2	0.600	24	180
SMVM031XX	3	0.750	19	140
SMVM041XX	4	0.900	16	120
SMVM051XX	5	1.050	13	100
SMVM061XX	6	1.200	12	90
SMVM071XX	7	1.350	10	80
SMVM081XX	8	1.500	9	70
SMVM091XX	9	1.650	8	60
SMVM101XX	10	1.800	8	60
SMXM021XX	2	0.552	26	190
SMXM031XX	3	0.690	21	150
SMXM041XX	4	0.828	17	130
SMXM051XX	5	0.966	15	110
SMXM061XX	6	1.104	13	90
SMXM071XX	7	1.242	11	80
SMXM081XX	8	1.380	10	70
SMXM091XX	9	1.518	9	70
SMXM101XX	10	1.656	8	60



CL: V = .150", X = .138"



## PRINTED CIRCUIT BOARD CONFIGURATION (THRUHOLE SCREW MOUNT OPTION)



SIZE <b>A</b>	DWG NO. <b>SMVM02100</b>	REV <b>B</b>
CODE: 58982	SCALE: NONE	SHEET 2 OF 3

TAPE AND REEL PACKAGING (2, 3, AND 4 POS)

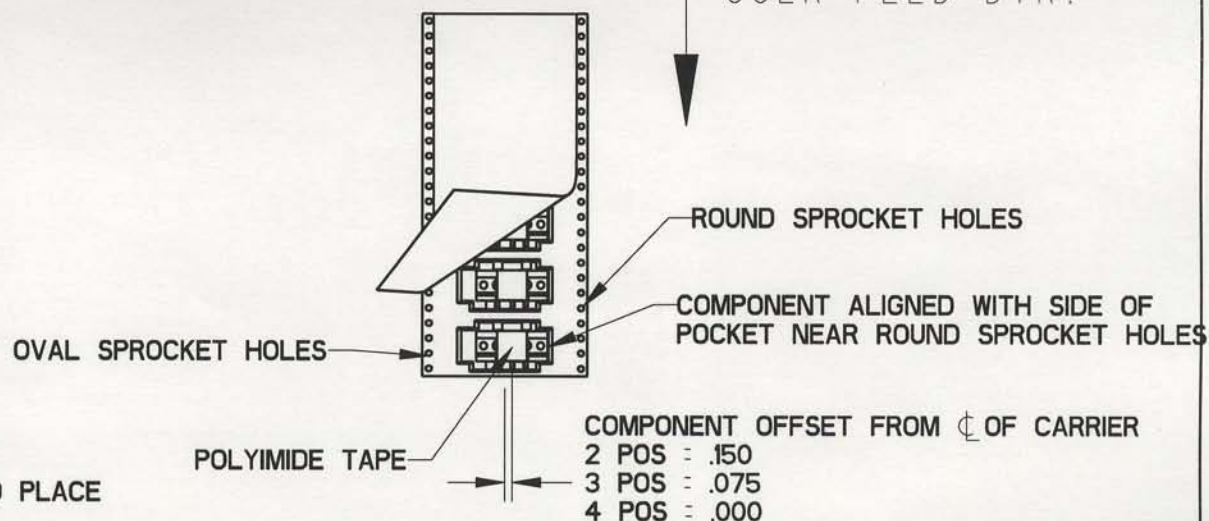


SCALE 3:10

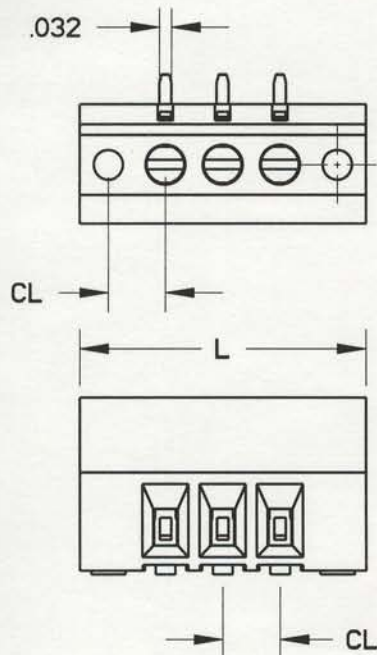
NOTES:

1. COMPONENT ON 44MM CARRIER AND 13" REELS
2. 250 PCS PER 13" REEL
3. DISPOSABLE 5/16" SQ. POLYIMIDE TAPE FOR PICK AND PLACE

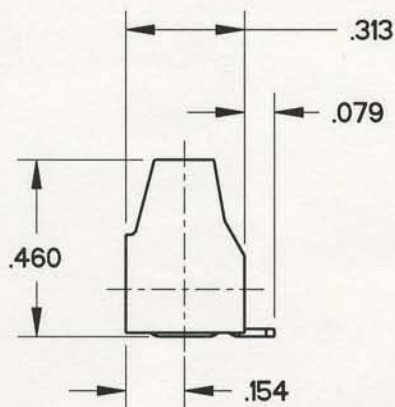
USER FEED DIR.



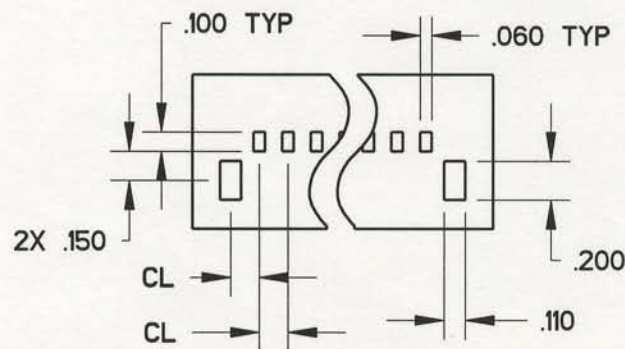
SMT PAD OPTION  
(SMVM03101 SHOWN)



CL: V = .150", X = .138"



PRINTED CIRCUIT BOARD CONFIGURATION  
(SMT PAD OPTION)



SIZE	DWG NO.	REV
A	SMVM02100	B
CODE: 58982	SCALE: NONE	SHEET 3 OF 3