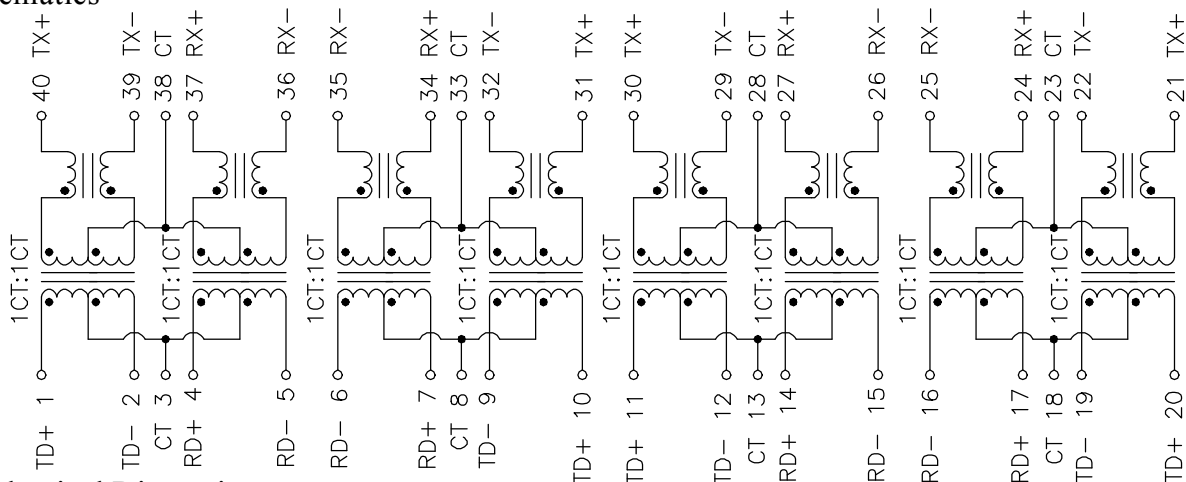


**HY604009E**

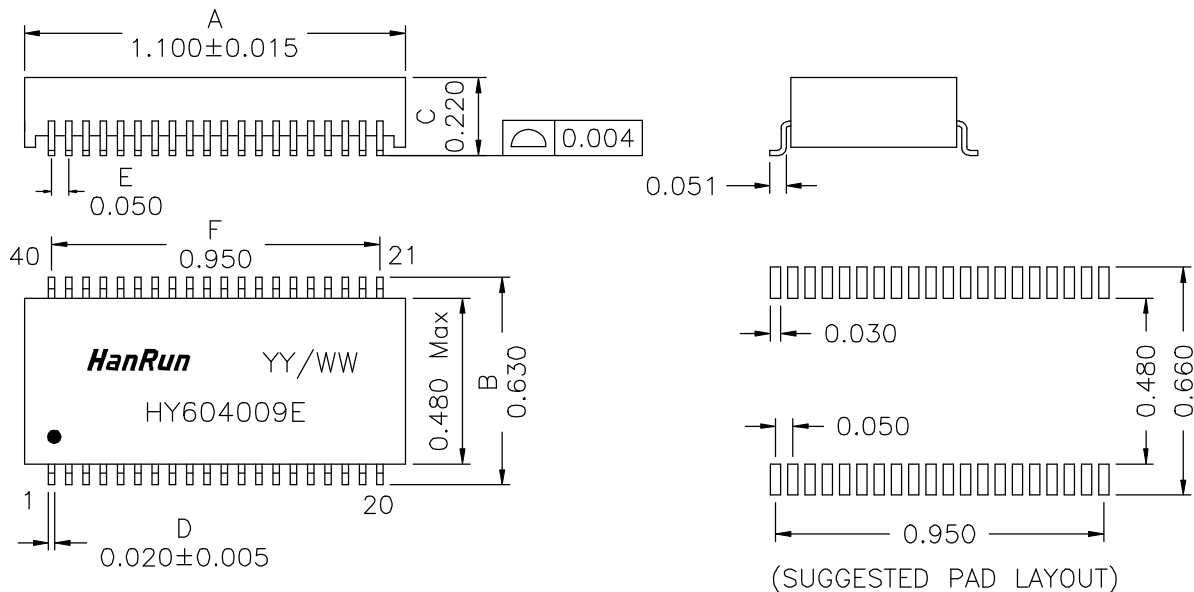
**Electrical Specification @25°C**

RoHS Compatible (Pb Free)  
 Operating Temperature Range: -40°C ~ +85°C  
 Isolation: 1500Vrms 0.5mA 60Sec (Primary to Secondary)  
 OCL: 350uH Minimum @100KHz 100mV with 8mA DC  
 Insertion Loss: -1.4dB Maximum @100KHz ~ 100MHz  
 Return Loss: -18dB Minimum @2MHz ~ 30MHz / -14.4dB Minimum @40MHz  
 -13.1dB Minimum @50MHz / -12dB Minimum @60MHz ~ 80MHz  
 Different to Common Mode Rejection: -37dB Minimum @1MHz ~ 60MHz  
 -25dB Minimum @60MHz ~ 200MHz  
 Crosstalk: -50dB Typical @1MHz ~ 30MHz / -35dB Typical @60MHz ~ 100MHz

**Schematics**



**Mechanical Dimensions**



Dimensions in inches

Unless otherwise specified, Tolerance: .xxx ±0.010

REV.: A/2

Address: No.16, Industrial Road Central, Industrial Zone, Xiaolan Town,  
 Zhongshan City, Guangdong Province, China

Tel: (0760)22126805 22132332 Fax: (0760)22132339 Post code: 528416

E-Mail: sales@hanrun.com http://www.hanrun.com

Specifications subject to change without notice . Refer to the approval sheet for lastly edition.