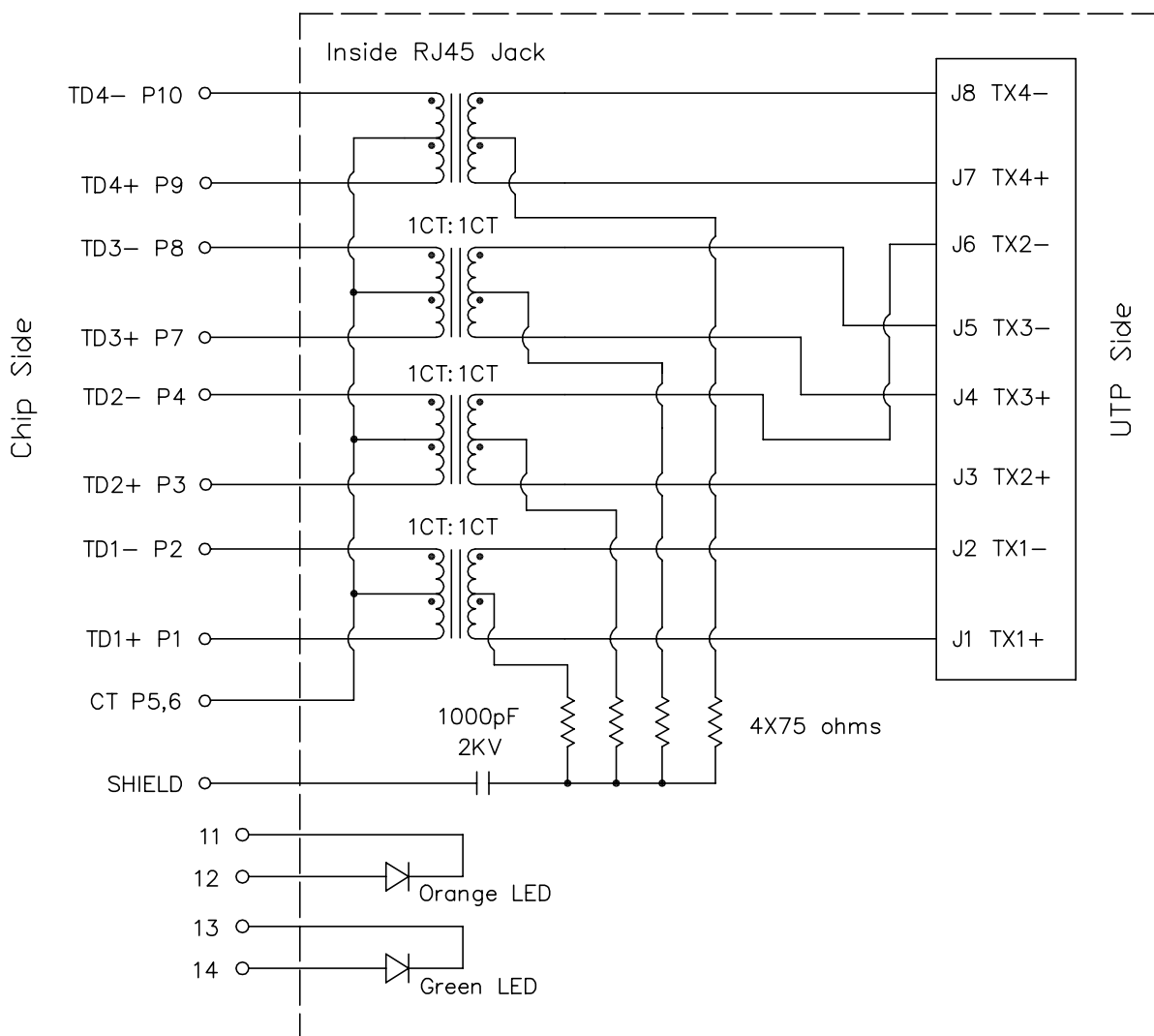


HR963380AE

Electrical Specification @25°C

Isolation: 2250VDC 0.5mA 60sec (UTP Side to Chip Side)
 OCL: 350uH Minimum @100KHz 100mV with 8mADC
 Insertion Loss: -1.0dB Maximum @1MHz ~ 100MHz / -1.2dB Maximum @100MHz ~ 125MHz
 Return Loss: -18dB Minimum @1MHz ~ 30MHz / -12dB Minimum @30MHz ~ 60MHz
 -11dB Minimum @60MHz ~ 80MHz / -9dB Minimum @80MHz ~ 100MHz
 Common Mode Rejection: -30dB Minimum @1MHz ~ 100MHz
 Crosstalk: -30dB Minimum @1MHz ~ 60MHz / -26dB Minimum @60MHz ~ 100MHz

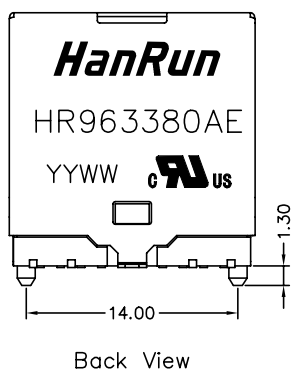
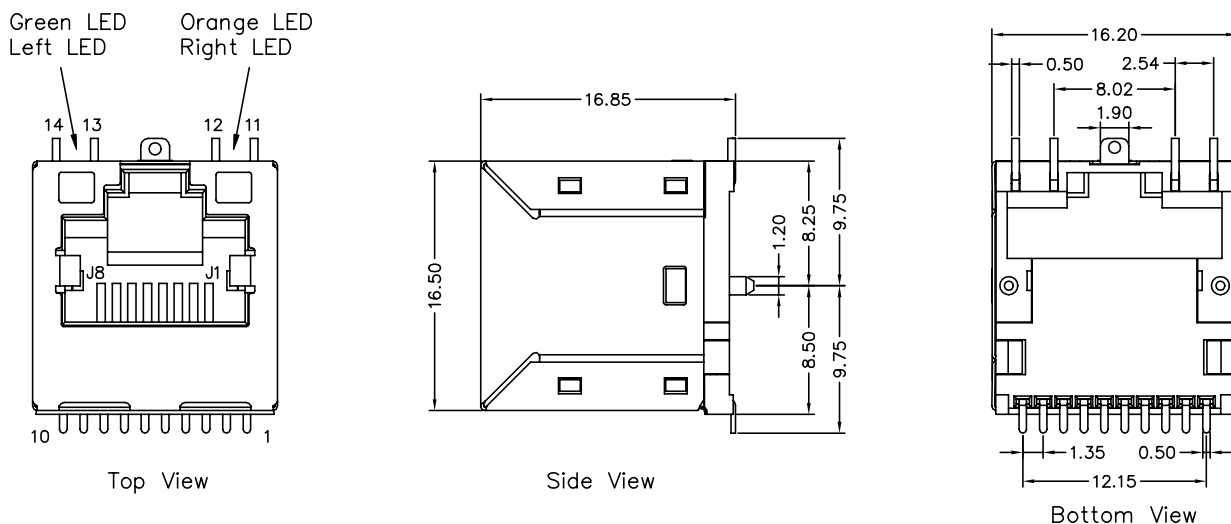
Schematics



HR963380AE

- RoHS Compliant (Pb Free)
- Designed for Network Interface Card Application
- Meets or Exceeds IEEE802.3ab standards including 350uH Min OCL with 8mADC
- High performance for EMI suppression, Crosstalk, Return Loss and Consistent Electrical
- Minimum 2250VDC isolation per IEEE802.3 requirement
- Minimize PCB space and Simplify PCB Layout
- Less magnetic components to place on PCB, Higher reliability and yields
- UL Recognized Component: File # E330599

Mechanical Dimensions:



Standard LED	Wavelength	Forward V (Min/Max)	Forward A	Type
Green	568nm	1.8v/2.8v	20mA	squareness
Orange	600nm	1.8v/2.8v	20mA	squareness

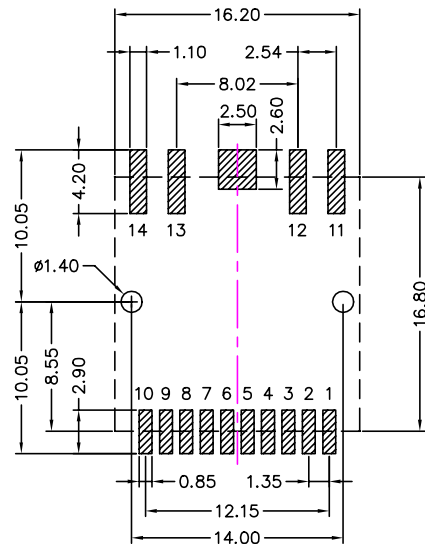
Dimensions in mm

Unless otherwise specified, Tolerance: .xx ±0.25

REV.: 00

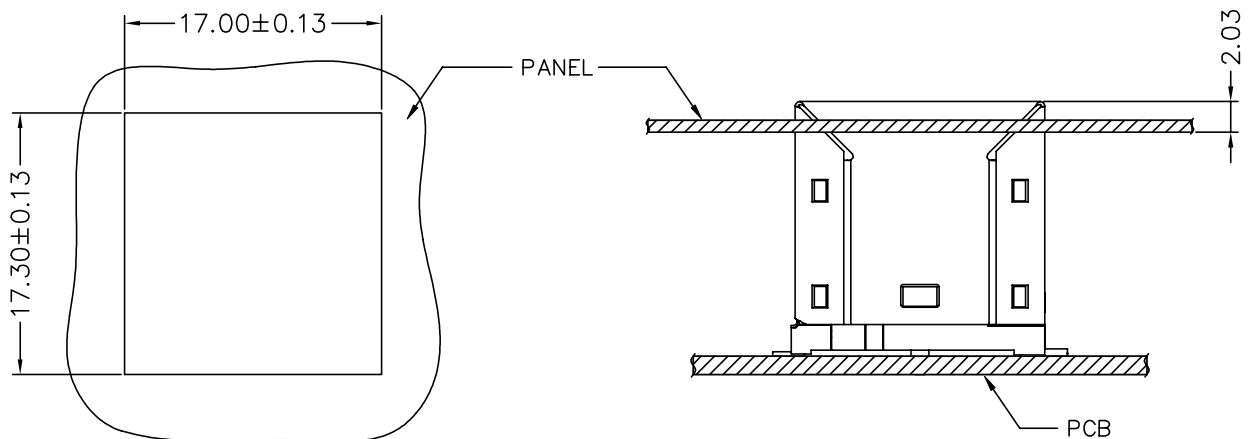
HR963380AE

Mechanical Dimensions:



Recommended PCB layout (Component Side View)
All dimension tolerance are ± 0.08 unless otherwise specified

Suggested Panel Cutout:



SUGGESTED PANEL OPENING

Dimensions in mm

Unless otherwise specified, Tolerance: .xx ± 0.25

REV.: 00

HR963380AE

Material Specification:

Housing: LCP Black UL94V-0
Shield: 30u" Nickel over 0.20mm Thickness Brass
Insert: LCP Black UL94V-0
Phosphor Bronze 0.30mm Thickness
Plating Area, 30u" gold over 50u" nickel
Solder Area, 100u" tin over 50u" nickel
Contact pin: LCP Black UL94V-0
Phosphor Bronze; 100u" Tinning

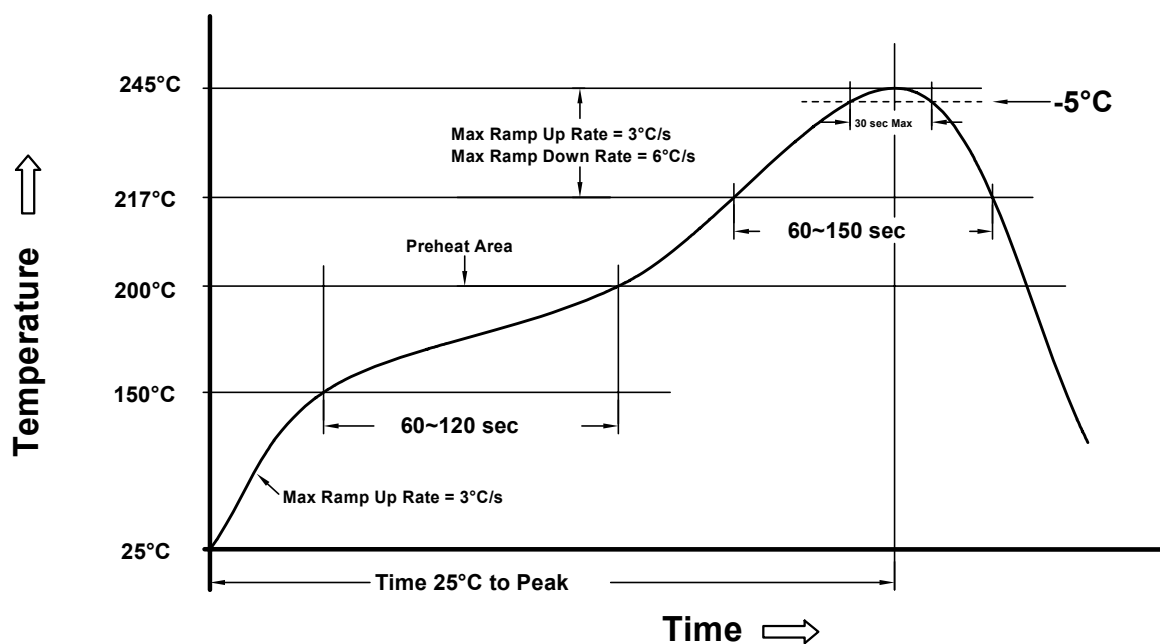
Mechanical Performance:

Mating force: 5 lbs Maximum
Unmating force: 5 lbs Maximum
Operating life: 750 Cycles Minimum

Operating and Storage Temperature:

Operating Temperature Range: -40°C ~ +85°C
Storage Temperature Range: -40°C ~ +85°C

HR963380AE



Remarks:

- peak temperature = 245°C
- Maximum preheat rate = 3°C / sec
- Ramp up rate = 3°C / sec max
- Time above 217°C = 60 sec min / 150 sec max
- Maximum cooling rate = 6°C / sec
- T 25°C to peak = 8 min max
- preheat Time = 60 ~ 120 sec
- The number of allowed cycles in IR reflow ≤ 2 cycles