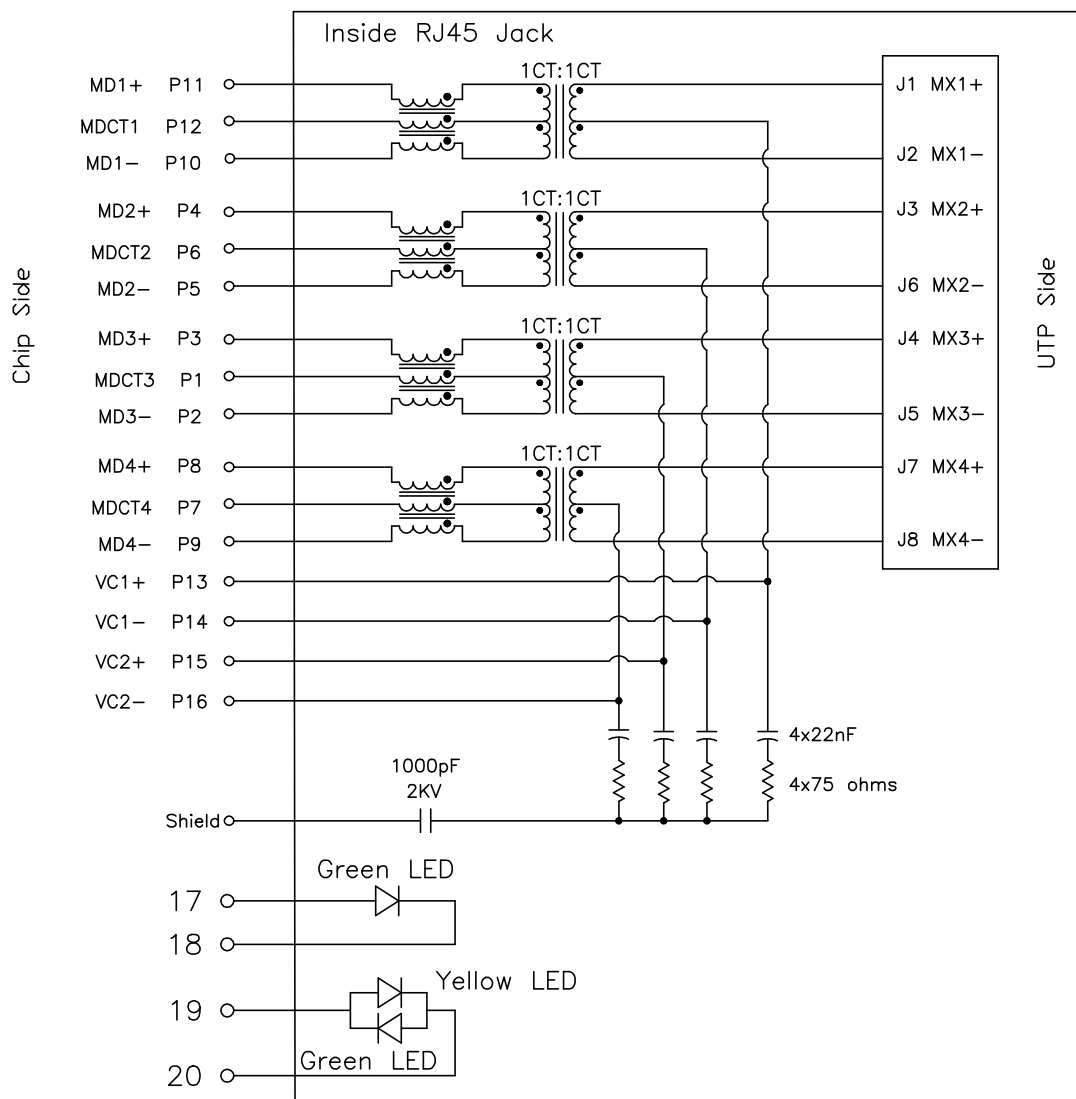


**HR913180AE**

**Electrical Specification @25°C**

- RoHS Compliant (PB Free)
- Operating Temperature Range: -40°C ~ +85°C
- Isolation: 2250VDC 60Hz 0.5mA 1MIN (J1~8 to P1~12)
- OCL: 350uH Minimum @100KHz 100mV
- Turns Ratio: 1CT:1CT ±2%
- Insertion Loss: -1.0dB Maximum @1MHz ~ 100MHz
- Return Loss: -16dB Minimum @1MHz ~ 30MHz / -12dB Minimum @30MHz ~ 60MHz  
-11dB Minimum @60MHz ~ 80MHz / -10dB Minimum @80MHz ~ 100MHz
- Common Mode Rejection: -30dB Minimum @1MHz ~ 100MHz
- Crosstalk: -35dB Minimum @30MHz / -32dB Minimum @60MHz / -30dB Minimum @100MHz
- Designed To Support 57VDC, 900mA per centre tap

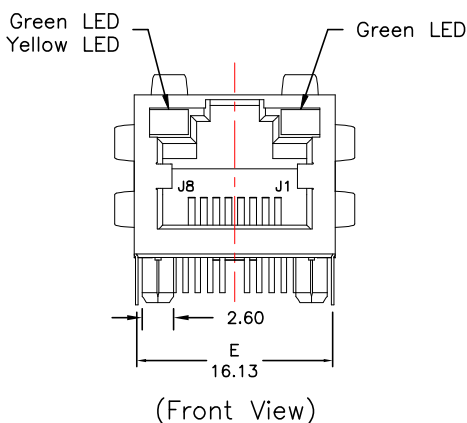
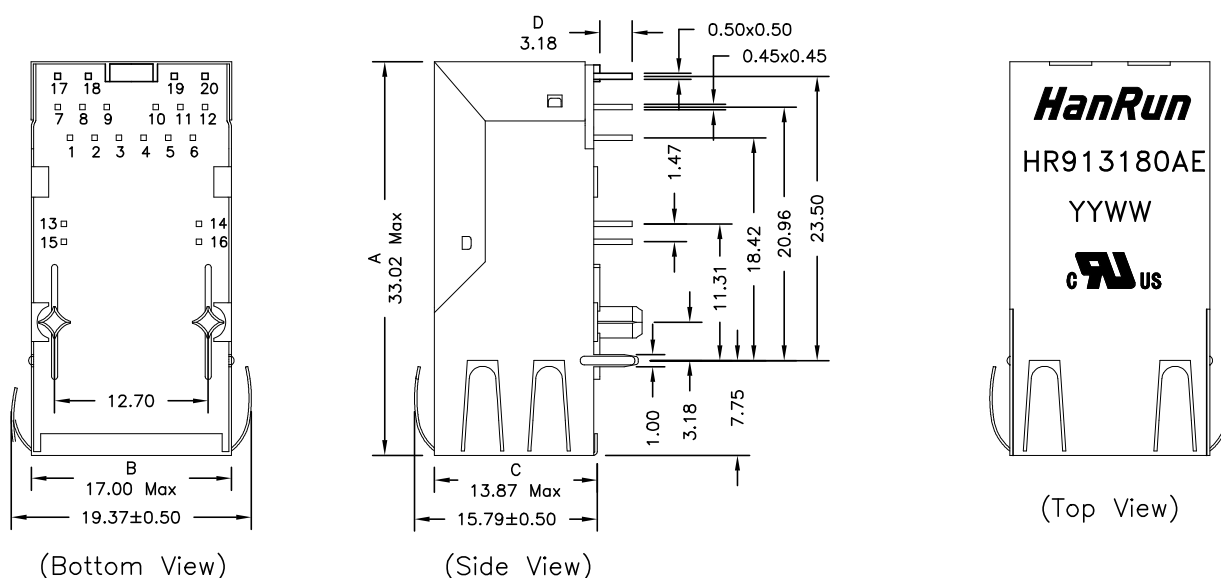
**Schematics** (45W when using 2 centre taps; 90W when using 4 centre taps)



**HR913180AE**

- RoHS Compliant (Pb Free)
- Sing port Tab-UP with internal magnetics for 10/100/1000Base-T
- High performance for EMI suppression, Crosstalk, Return Loss and Consistent Electrical
- Minimum 2250VDC isolation per IEEE802.3 requirement
- UL Recognized Component: File # E330599

**Mechanical Dimensions:**

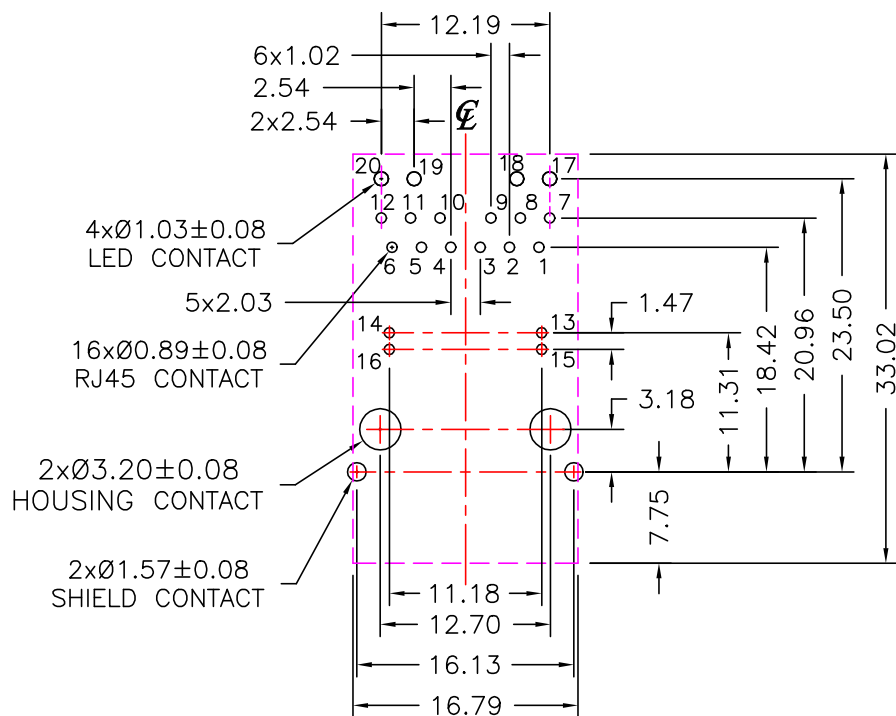


Standard LED	Wavelength	Forward V (Min/Max)	Forward A	Type
Green	568nm	1.8V/2.8V	20mA	squareness
Green/Yellow	568nm/585nm	1.8V/2.8V	20mA	squareness

Dimensions in mm  
Unless otherwise specified, Tolerance: .xx ±0.25  
REV.: 01

HR913180AE

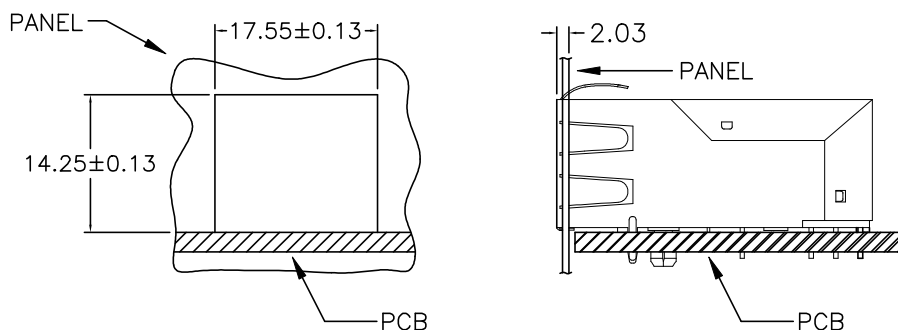
PCB Layout:



Recommended PCB layout (Component Side View)

All dimension tolerance are  $\pm 0.08$  unless otherwise specified

Suggested Panel Cutout:



Dimensions in mm

Unless otherwise specified, Tolerance: .xx  $\pm 0.25$

REV.: 01

## HR913180AE

### Material Specification:

Housing: PBT GF Black UL94V-0  
Shield: 50u" Nickel over 0.20mm Thickness Brass  
Insert: PA46 GF Black UL94V-0  
Phosphor Bronze 0.35mm Thickness  
Plating Area, 30u" gold over 50u" nickel  
Solder Area, 100u" tin over 50u" nickel  
Contact pin: PA66 GF Black UL94V-0  
Brass 0.45mm Thickness, 80u" tin over 30u" nickel

### Mechanical Performance:

Mating force: 5 lbs Maximum  
Unmating force: 5 lbs Maximum  
Plug to Jack Retention force: 12 lbs Minimum  
Operating life: 750 Cycles Minimum

### Operating and Storage Temperature:

Operating Temperature Range: -40°C ~ +85°C  
Storage Temperature Range: -40°C ~ +85°C