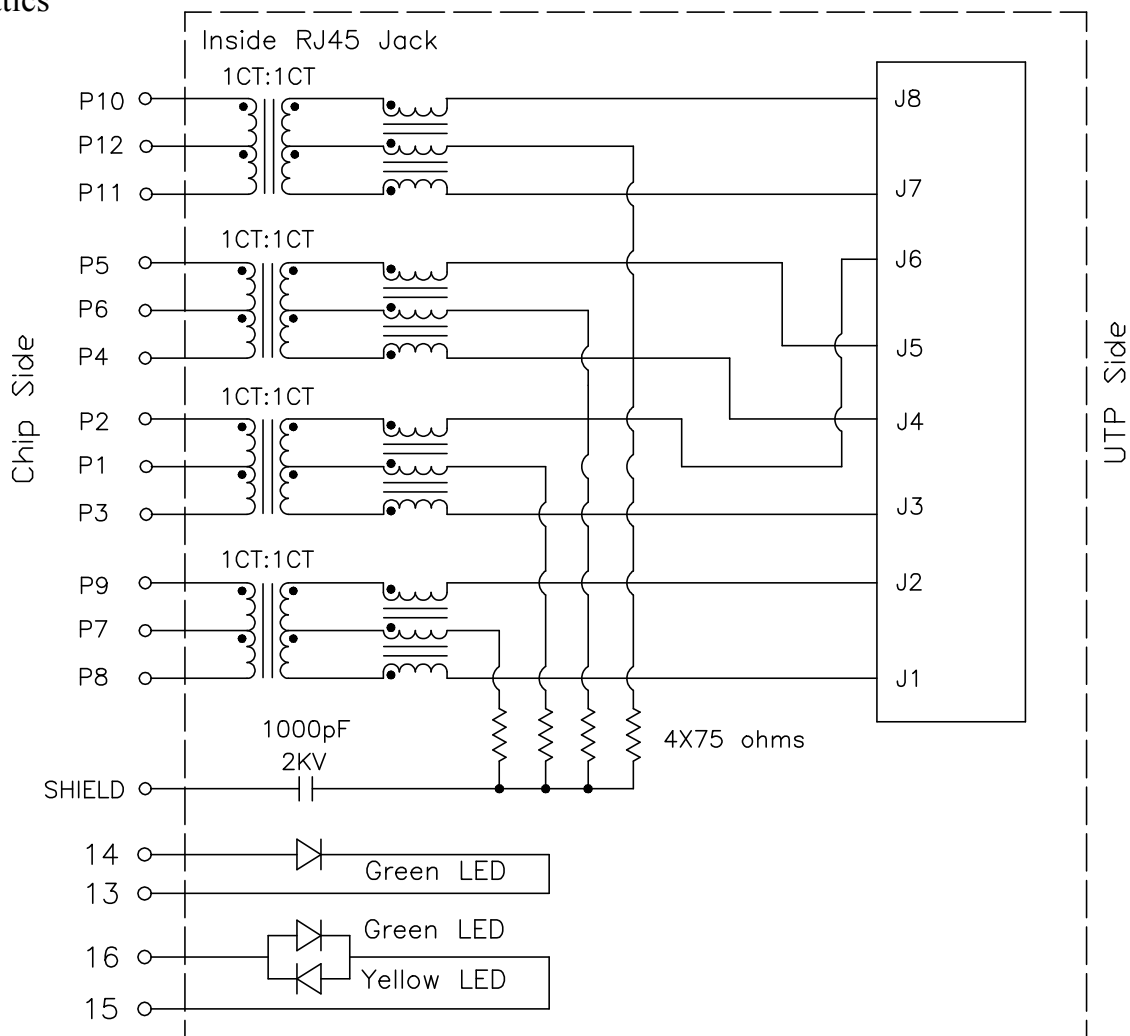


HR911080A

Electrical Specification @25°C

RoHS Compliant (PB Free)
 Operating Temperature Range: 0°C ~ +70°C
 Isolation: 1500Vrms or 2250Vdc 0.5mA 60sec (J1~8 to P1~12)
 OCL: 120uH Minimum @100KHz 100mV
 Insertion Loss: -3.0dB Maximum @100KHz / -2.0dB Maximum @1MHz ~ 400MHz
 Return Loss: -18dB Minimum @1MHz ~ 40MHz / -13dB Minimum @40MHz ~ 100MHz
 -10dB Minimum @100MHz ~ 200MHz / -8.3dB Minimum @200MHz ~ 300MHz
 -7dB Minimum @300MHz ~ 400MHz / -6dB Minimum @400MHz ~ 500MHz
 Common Mode Rejection Ratio: -35dB Minimum @1MHz ~ 100MHz
 -30dB Minimum @100MHz ~ 300MHz / -25dB Minimum @300MHz ~ 500MHz
 CDMR: -30dB Minimum @1MHz ~ 250MHz / -22dB Minimum @250MHz ~ 500MHz
 Crosstalk: -28dB Minimum @1MHz ~ 100MHz / -19dB Minimum @100MHz ~ 500MHz

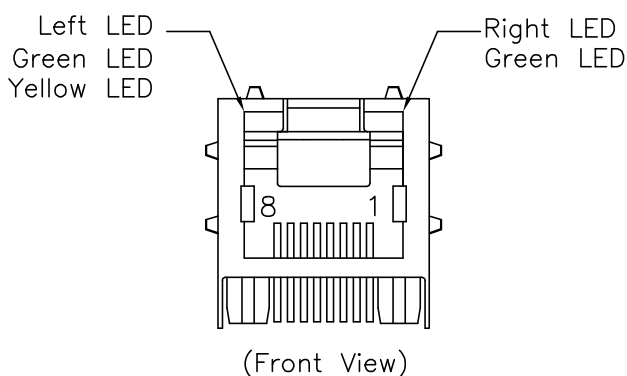
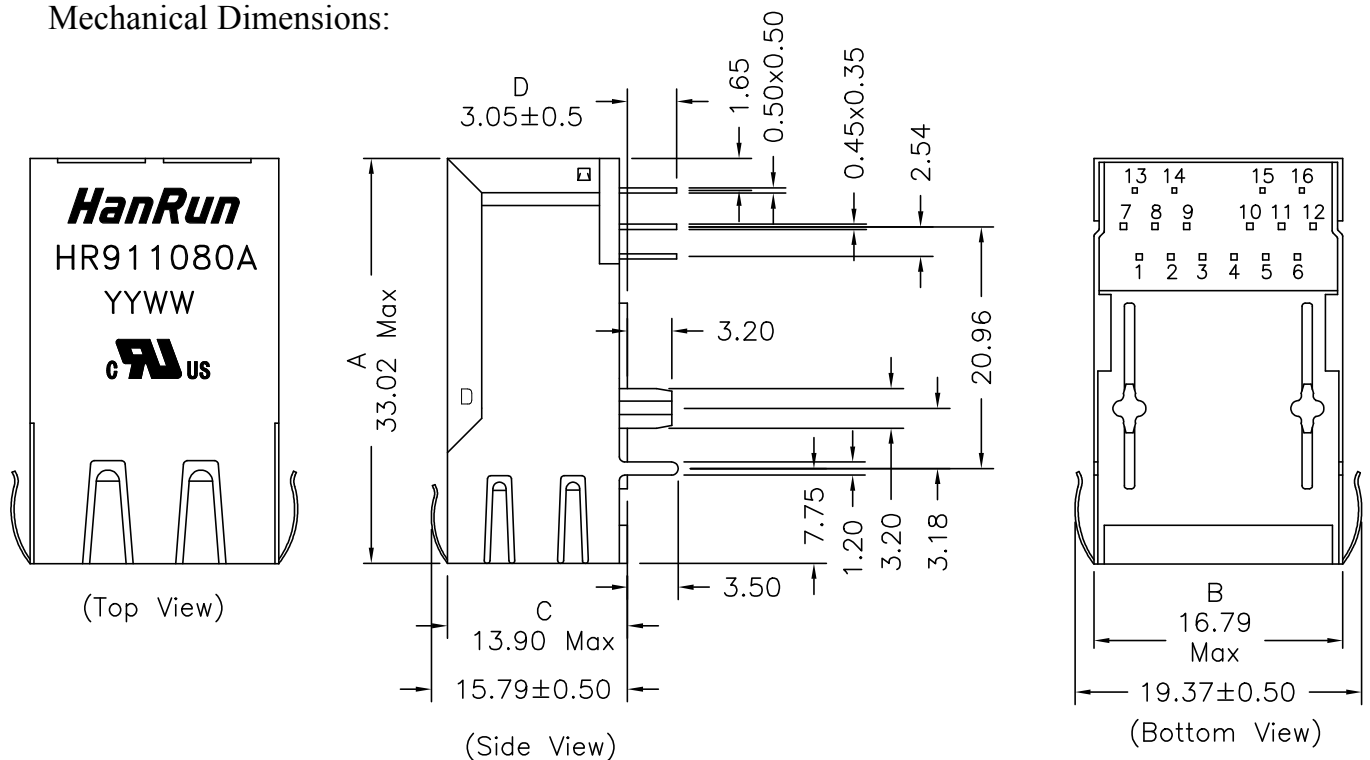
Schematics



HR911080A

- RoHS Compliant (Pb Free)
- Sing port Tab-UP with internal magnetics for 10GBase-T
- Meets or Exceeds IEEE802.3an standards
- High performance for EMI suppression, Crosstalk, Return Loss and Consistent Electrical
- Minimum 1500Vrms isolation per IEEE802.3 requirement
- UL Recognized Component: File # E330599

Mechanical Dimensions:



Standard LED	Wavelength	Forward V (Min/Max)	Forward A	Type
Green/Yellow	568nm/585nm	1.8V/2.8V	20mA	squareness
Green	568nm	1.8V/2.8V	20mA	squareness

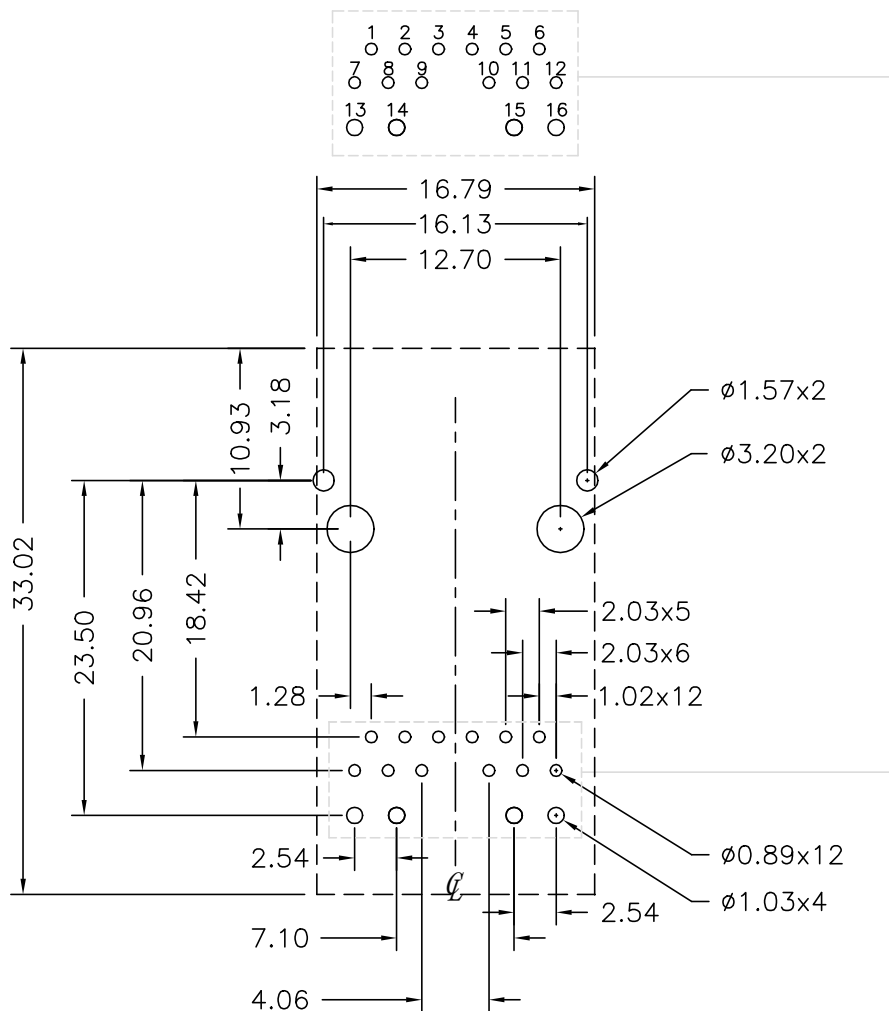
Dimensions in mm

Unless otherwise specified, Tolerance: .xx ±0.25

REV.: 02

HR911080A

PCB Layout:



(Recommended PCB layout)

Component side PCB thickness: 1.60mm

All dimension tolerance are ± 0.08 unless otherwise specified

Dimensions in mm

Unless otherwise specified, Tolerance: .xx ± 0.25

REV.: 02

3 of 3

Address: No.16, Industrial Road Central, Industrial Zone, Xiaolan Town,
Zhongshan City, Guangdong Province, China

Tel: (0760)86103511 86103508 Fax: (0760)86103686 Post code: 528416

E-Mail: sales@hanrun.com http://www.hanrun.com

Specifications subject to change without notice . Refer to the approval sheet for lastly edition.