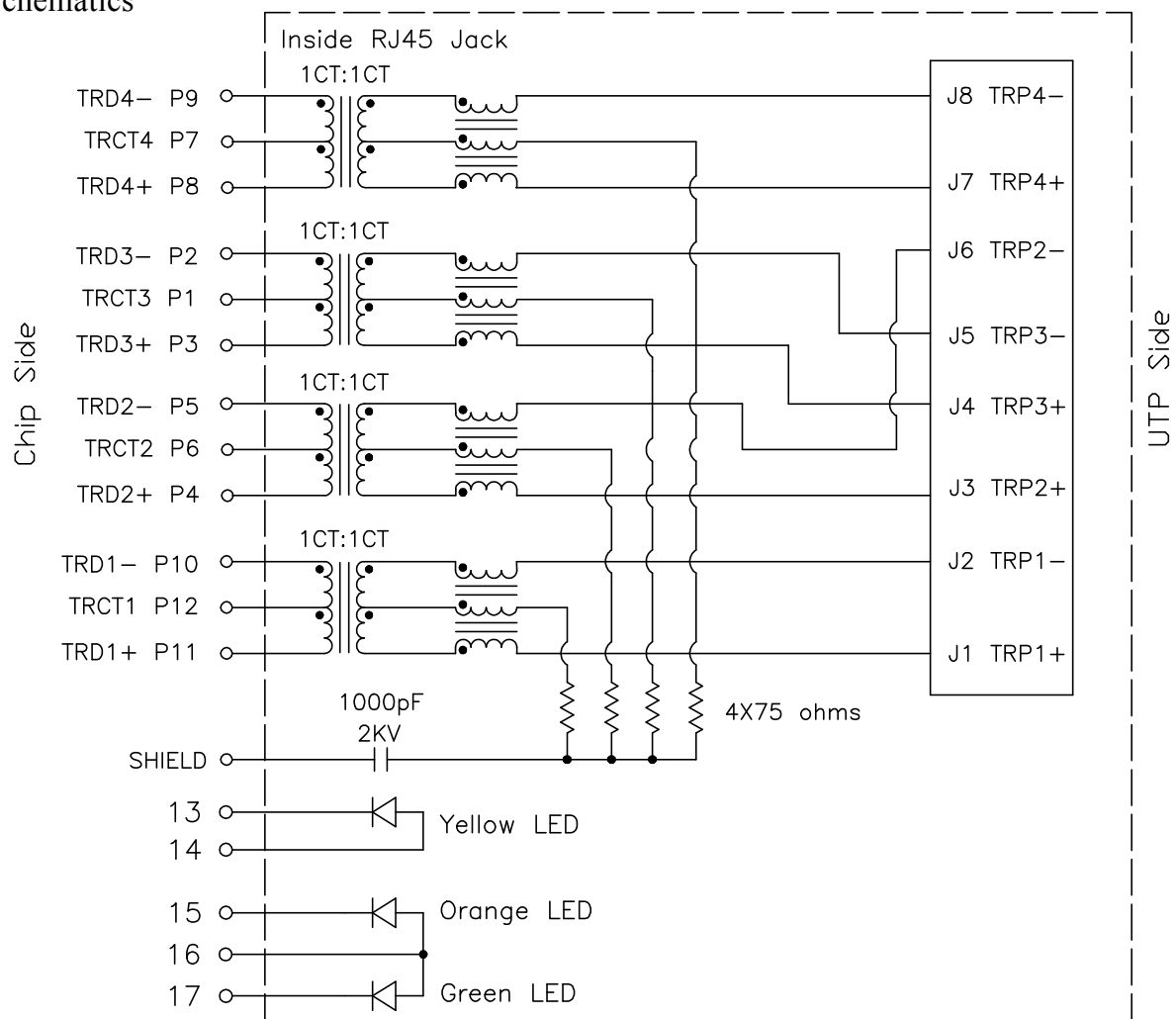


**HR911060C**

**Electrical Specification @25°C**

Operating Temperature Range: 0°C ~ +70°C  
 Isolation: 2250VDC 0.5mA 60sec (UTP Side to Chip Side)  
 OCL: 350uH Minimum @100KHz 100mV with 8mADC  
 Insertion Loss: -1.2dB Maximum @1MHz ~ 100MHz  
 Return Loss: -18dB Minimum @1MHz ~ 10MHz  
                   -16dB Minimum @30MHz  
                   -12dB Minimum @60MHz ~ 80MHz  
                   -10dB Minimum @80MHz ~ 100MHz  
 Common Mode Rejection: -30dB Minimum @1MHz ~ 125MHz  
 Crosstalk: -40dB Minimum @1MHz ~ 10MHz  
                   -31.5dB Minimum @32MHz ~ 65MHz  
                   -30dB Minimum @65MHz ~ 100MHz

**Schematics**



## HR911060C

### Commercial standards, specifications and Summary:

RoHS Compliant (Pb Free)

Sing port Tab-UP with internal magnetics for 10/100/1000 Base-T

Meets or Exceeds IEEE802.3ab standards including 350uH Min OCL with 8mADC

High performance for EMI suppression, Crosstalk, Return Loss and Consistent Electrical

Minimum 2250VDC isolation per IEEE802.3 requirement

UL Recognized Component: File # E330599

### Material Specification:

Housing: PA46 GF Black UL94V-0

Shield: 50u" Nickel over 0.20mm Thickness Brass

Insert: PA66 GF Black UL94V-0, Phosphor Bronze 0.35mm Thickness

Plating Area, 30u" gold over 50u" nickel

Solder Area, 100u" tin over 50u" nickel

LED Conductor: PC Transparent UL94V-0

### Mechanical Performance:

Mating force: 5 lbs Maximum

Unmating force: 5 lbs Maximum

Plug to Jack Retention force: 12 lbs Minimum

Operating life: 750 Cycles Minimum

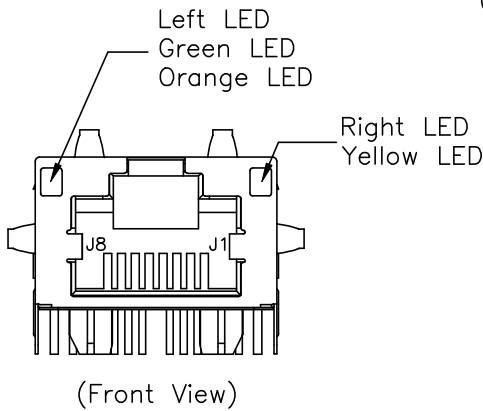
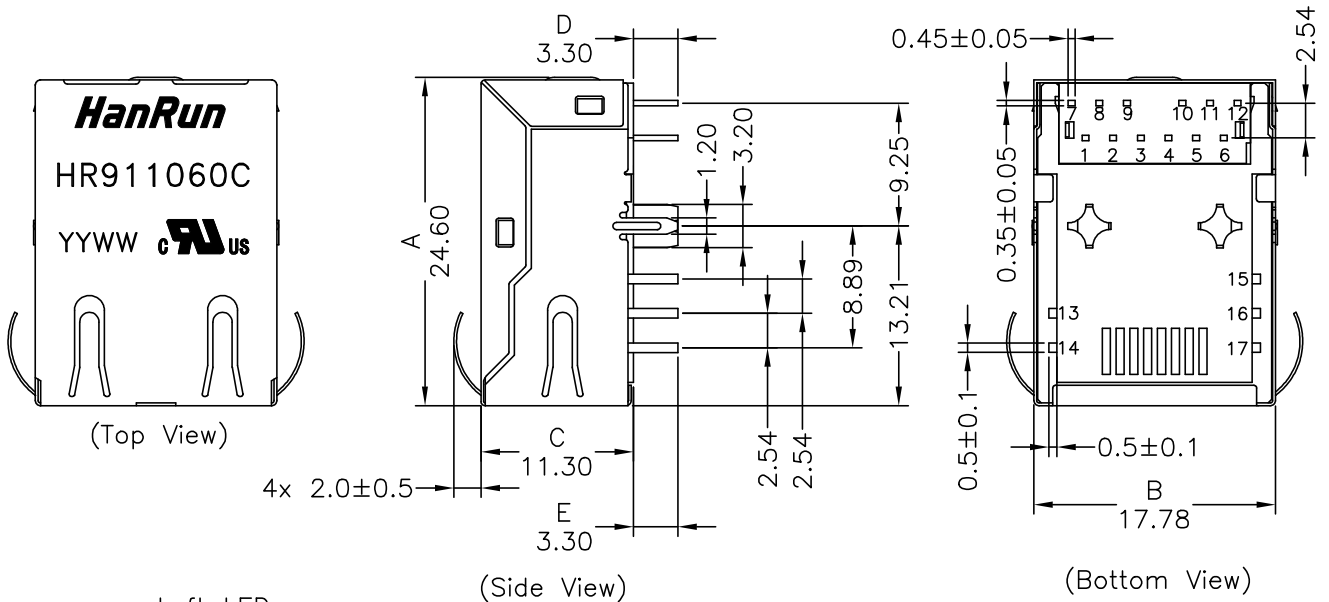
### Operating and Storage Temperature:

Operating Temperature Range: 0°C ~ +70°C

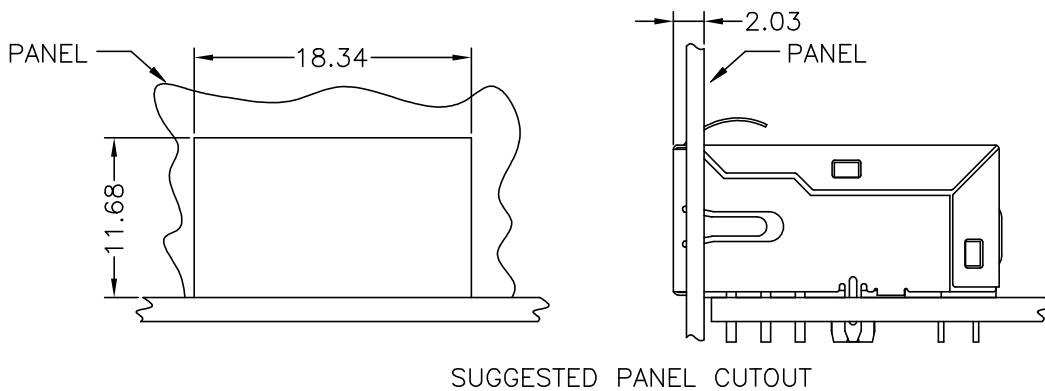
Storage Temperature Range: -40°C ~ +85°C

**HR911060C**

Mechanical Dimensions:



Standard LED	Wavelength	Forward V (Min/Max)	Forward A	Type
Green/Orange	569nm/600nm	1.8V/2.8V	20mA	squareness
Yellow	585nm	1.8V/2.8V	20mA	squareness



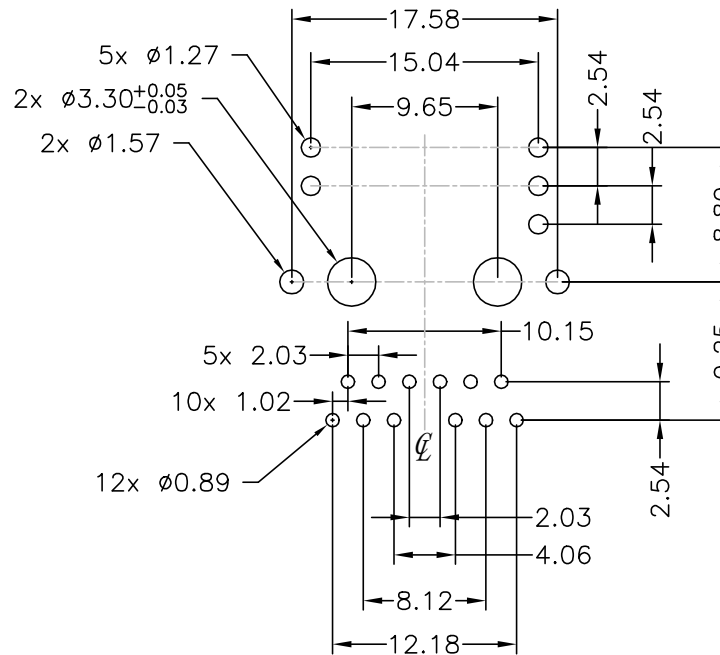
Dimensions in mm

Unless otherwise specified, Tolerance: .xx ±0.25

REV.: 06

HR911060C

PCB Layout:



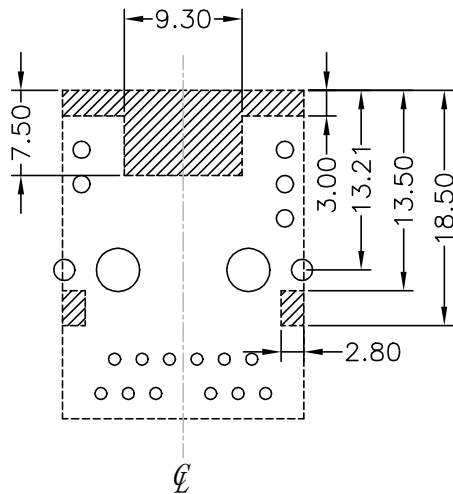
Recommended PCB layout (Component Side View)

Component side PCB thickness: 1.60mm

All dimension tolerance are  $\pm 0.08$  unless otherwise specified

**HR911060C**

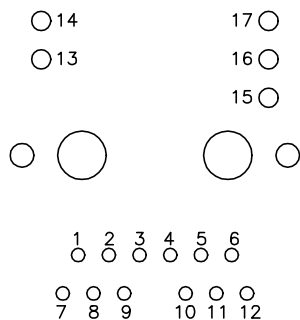
Keep-Out Area:



Component Side View

NOTES:  
THE SHADED AREA ON THE CUSTOMER BOARD ARE  
RECOMMENDED TO CLEAR OFF ANY VIA HOLE OR  
COMPONENT PAD

Pin Assignments:



PIN ASSIGNMENTS  
(COMPONENT SIDE VIEW)