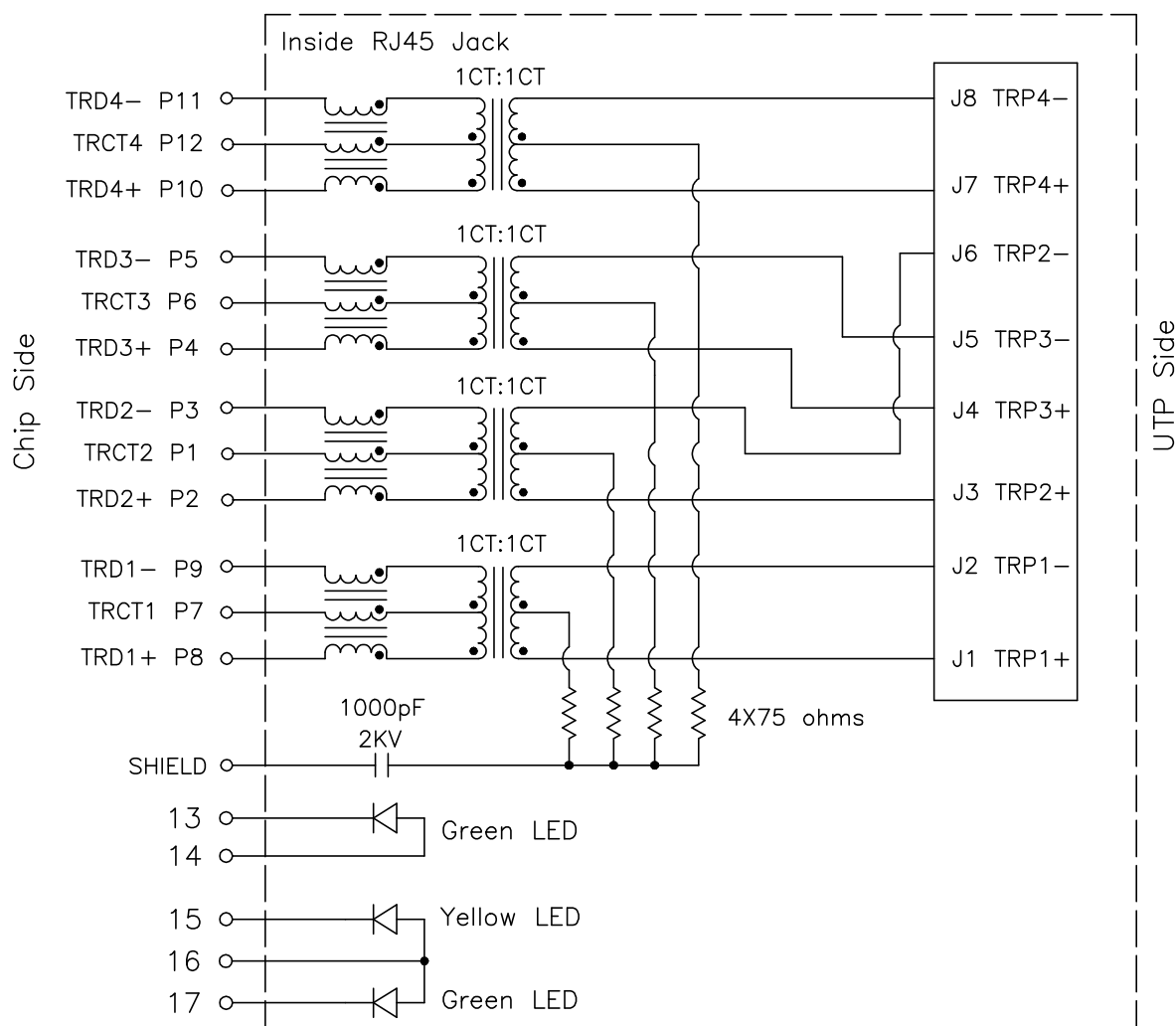


HR911025C

Electrical Specification @25°C

Isolation: 2250VDC 0.5mA 60sec (UTP Side to Chip Side)
 OCL: 120uH Minimum @100KHz 100mV with 8mADC
 Insertion Loss: -3.0dB Maximum @100KHz ~1MHz / -1.5dB Maximum @1MHz ~ 250MHz
 -2.5dB Maximum @250MHz ~ 400MHz
 Return Loss: -18dB Minimum @1MHz ~ 40MHz / -14dB Minimum @40MHz ~ 100MHz
 -11dB Minimum @100MHz ~ 250MHz / -8dB Minimum @250MHz ~ 500MHz
 CMRR: -28dB Minimum @1MHz ~ 100MHz / -22dB Minimum @100MHz ~ 250MHz
 -20dB Minimum @250MHz ~ 500MHz
 DCMR: -30dB Minimum @1MHz ~ 100MHz / -25dB Minimum @100MHz ~ 250MHz
 -20dB Minimum @250MHz ~ 500MHz
 Crosstalk: -30dB Minimum @1MHz ~ 100MHz / -20dB Minimum @100MHz ~ 500MHz

Schematics



HR911025C

Commercial standards, specifications and Summary:

RoHS Compliant (Pb Free)

Meets or Exceeds IEEE802.3an standards

High performance for EMI suppression, Crosstalk, Return Loss and Consistent Electrical
Minimum 2250VDC isolation per IEEE802.3 requirement

UL Recognized Component: File # E330599

Material Specification:

Housing: PA46 GF Black UL94V-0

Shield: 50u" Nickel over 0.20mm Thickness Brass

Insert: PA66 GF Black UL94V-0, Phosphor Bronze 0.35mm Thickness

Plating Area, 30u" gold over 50u" nickel

Solder Area, 100u" tin over 50u" nickel

LED Conductor: PC Transparent UL94V-0

Mechanical Performance:

Mating force: 5 lbs Maximum

Unmating force: 5 lbs Maximum

Plug to Jack Retention force: 12 lbs Minimum

Operating life: 750 Cycles Minimum

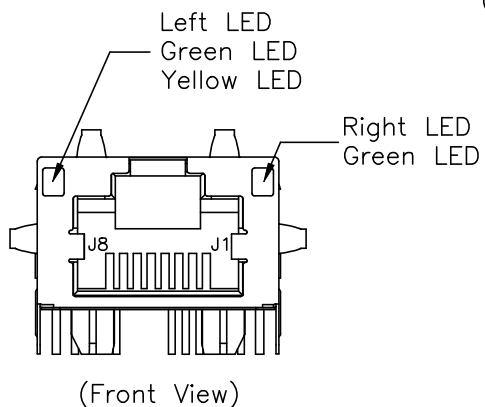
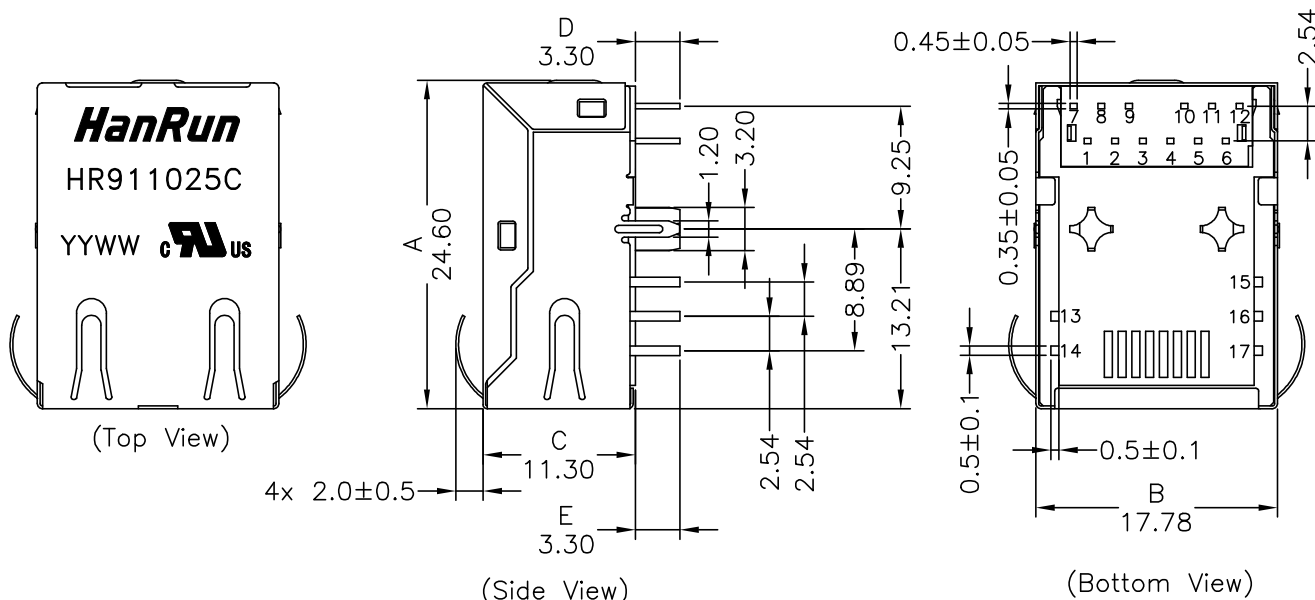
Operating and Storage Temperature:

Operating Temperature Range: 0°C ~ +70°C

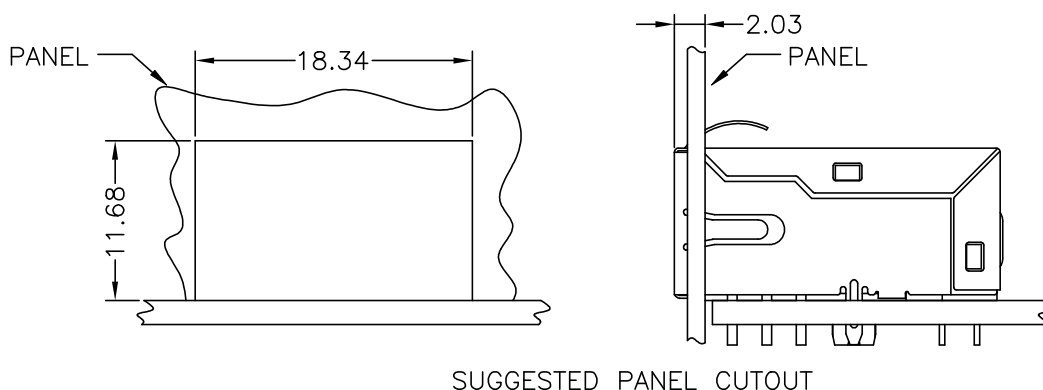
Storage Temperature Range: -40°C ~ +85°C

HR911025C

Mechanical Dimensions:



Standard LED	Wavelength	Forward V (Min/Max)	Forward A	Type
Green/Yellow	569nm/585nm	1.8V/2.8V	20mA	squareness
Green	569nm	1.8V/2.8V	20mA	squareness



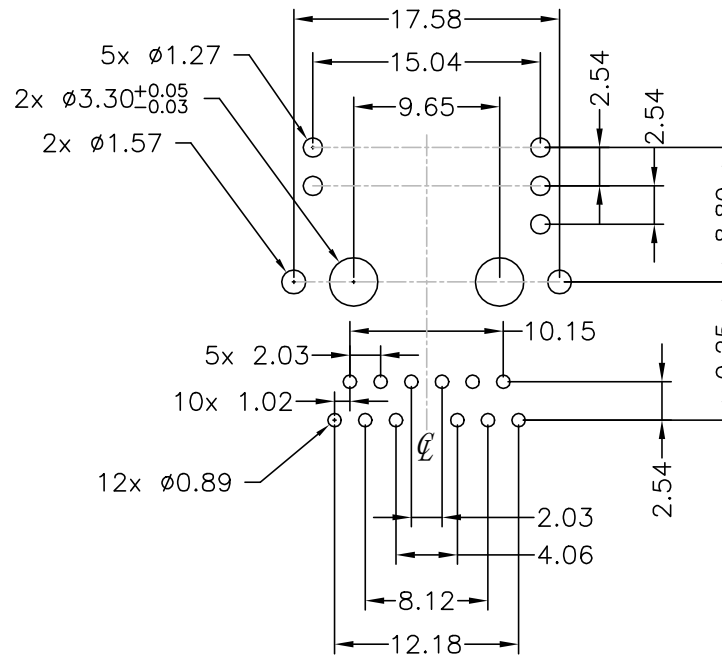
Dimensions in mm

Unless otherwise specified, Tolerance: .xx ±0.25

REV.: 00

HR911025C

PCB Layout:



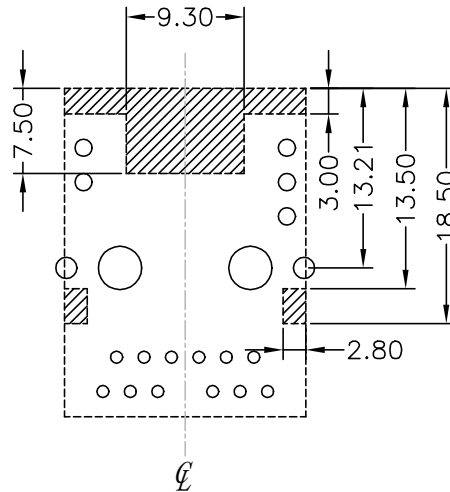
Recommended PCB layout (Component Side View)

Component side PCB thickness: 1.60mm

All dimension tolerance are ±0.08 unless otherwise specified

HR911025C

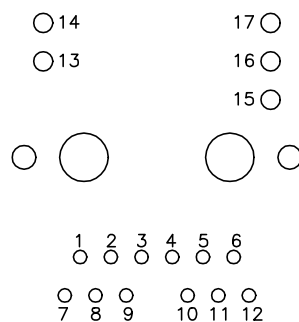
Keep-Out Area:



Component Side View

NOTES:
THE SHADED AREA ON THE CUSTOMER BOARD ARE
RECOMMENDED TO CLEAR OFF ANY VIA HOLE OR
COMPONENT PAD

Pin Assignments:



PIN ASSIGNMENTS
(COMPONENT SIDE VIEW)