

HR862635H

Electrical Specification @25°C

RoHS Compliant (PB Free)

Operating Temperature Range: 0°C ~ +70°C

Isolation: 1500Vrms 0.5mA 60sec (J1~8 to P1~10)

OCL: 350uH Minimum @100KHz 100mV with 8mADC

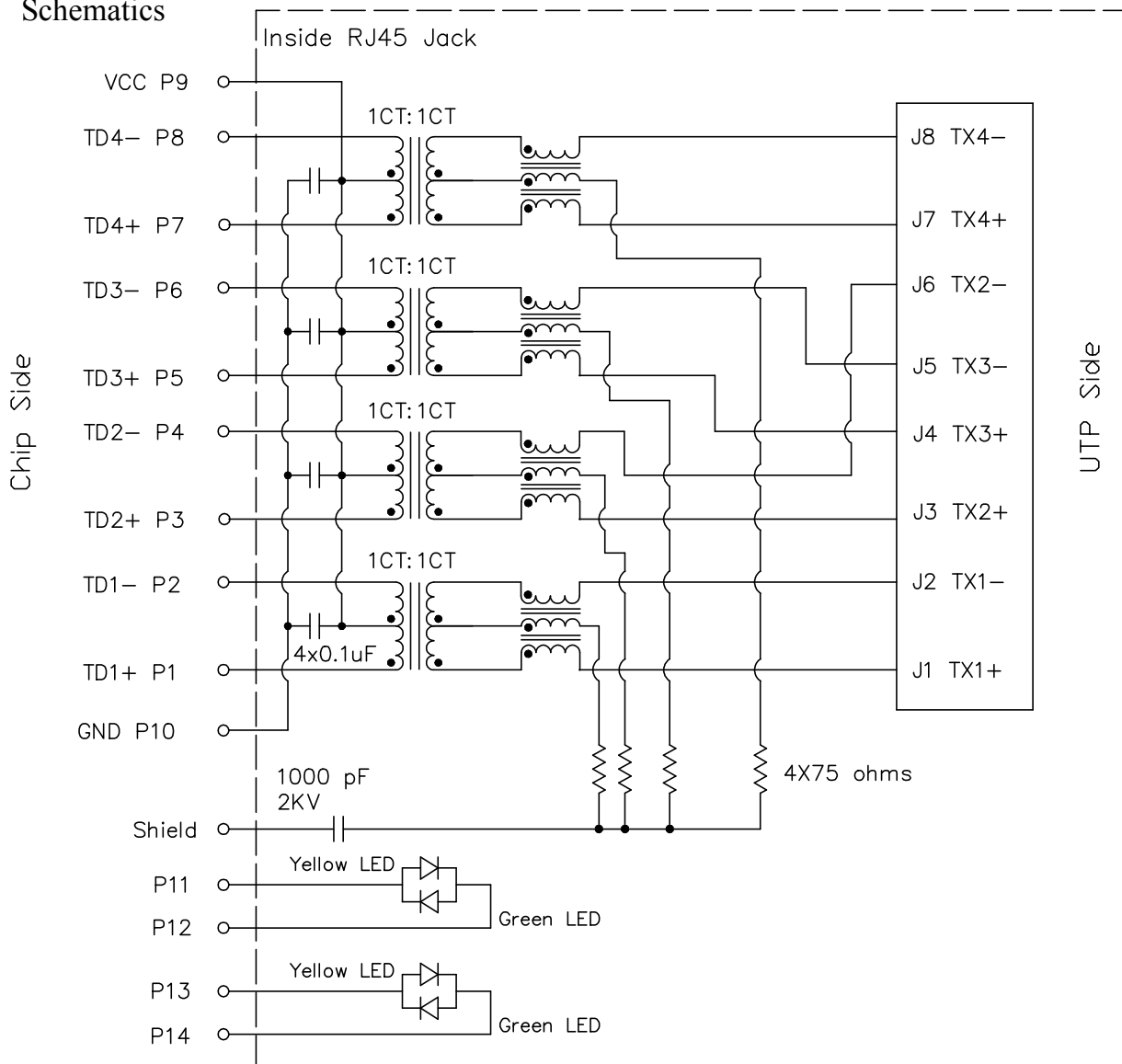
Insertion Loss: -1.0dB Maximum @1MHz ~ 100MHz

Return Loss: -18dB Minimum @1MHz ~ 30MHz / -13.5dB Minimum @30MHz ~ 60MHz
-12dB Minimum @60MHz ~ 80MHz

Common Mode Rejection: -30dB Typical @1MHz ~ 50MHz
-20dB Typical @50MHz ~ 150MHz

Crosstalk: -40dB Typical @1MHz ~ 30MHz / -35dB Typical @30MHz ~ 60MHz
-30dB Typical @60MHz ~ 80MHz

Schematics



HR862635H

Commercial standards, specifications and Summary:

RoHS Compliant (Pb Free)

Meets or Exceeds IEEE802.3ab standards including 350uH Min OCL with 8mADC

High performance for EMI suppression, Crosstalk, Return Loss and Consistent Electrical

Minimum 2250VDC isolation per IEEE802.3 requirement

Minimize PCB space and Simplify PCB Layout

Less magnetic components to place on PCB, Higher reliability and yields

UL Recognized Component: File # E330599

Material Specification:

Housing: PBT GF Black UL94V-0

Shield: 50u" Nickel over 0.20mm Thickness Brass

Insert: PA66 GF Black UL94V-0

Phosphor Bronze 0.35mm Thickness

Plating Area, 30u" gold over 50u" nickel

Solder Area, 100u" tin over 50u" nickel

RJ45 Contact pin: PA66 GF Black UL94V-0

Brass; 100u" Tinning

LED Conductor: PC Transparent UL94V-0

Mechanical Performance:

Contact resistance: 30 m Ω Maximum

Mating force: 5 lbs Maximum

Unmating force: 5 lbs Maximum

Operating life: 750 Cycles Minimum

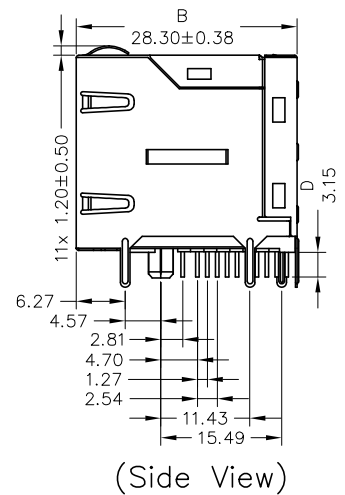
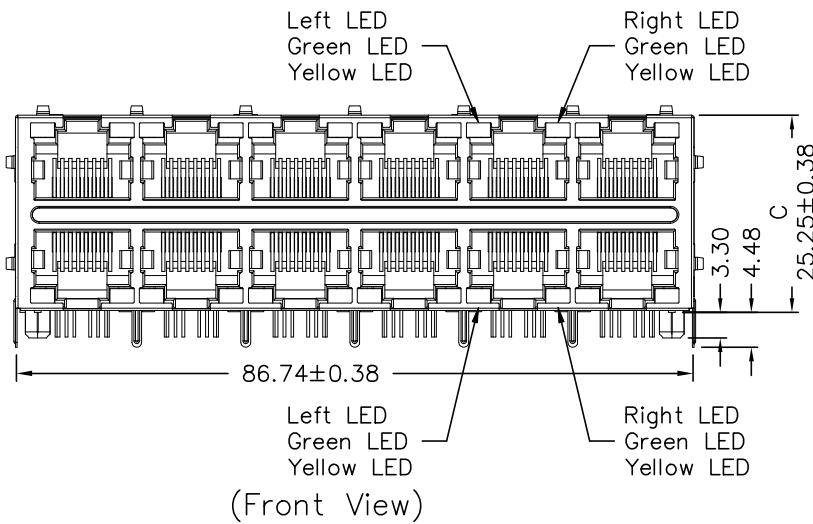
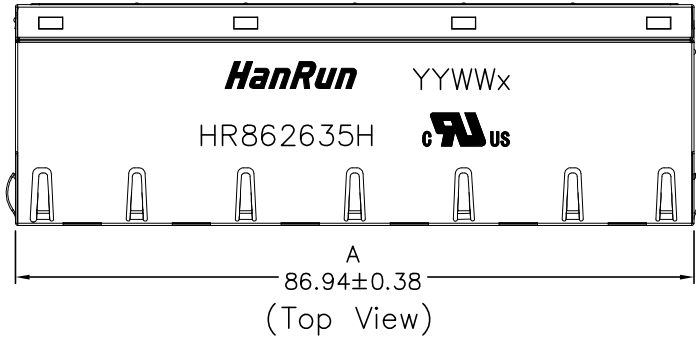
Operating and Storage Temperature:

Operating Temperature Range: 0°C ~ +70°C

Storage Temperature Range: -40°C ~ +85°C

HR862635H

Mechanical Dimensions:



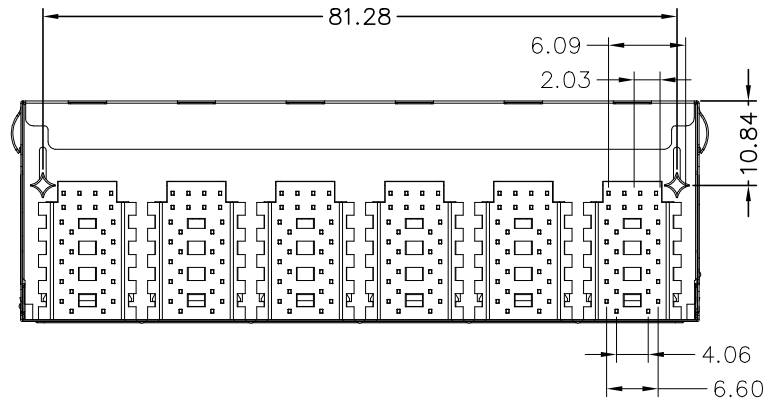
Standard LED	Wavelength	Forward V (Min/Max)	Forward A	Type
Green/Yellow	568nm/585nm	1.8V/2.8V	20mA	squareness

Dimensions in mm

Unless otherwise specified, Tolerance: .xx ±0.25

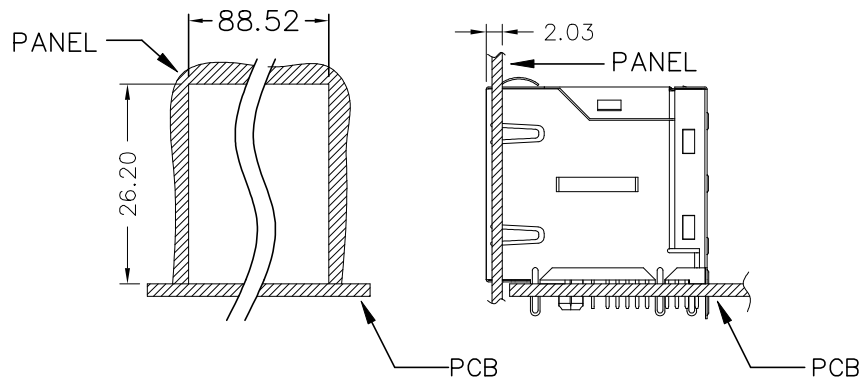
REV.: 04

HR862635H



(Bottom View)

Suggested Panel Cutout:



SUGGESTED PANEL CUTOUT

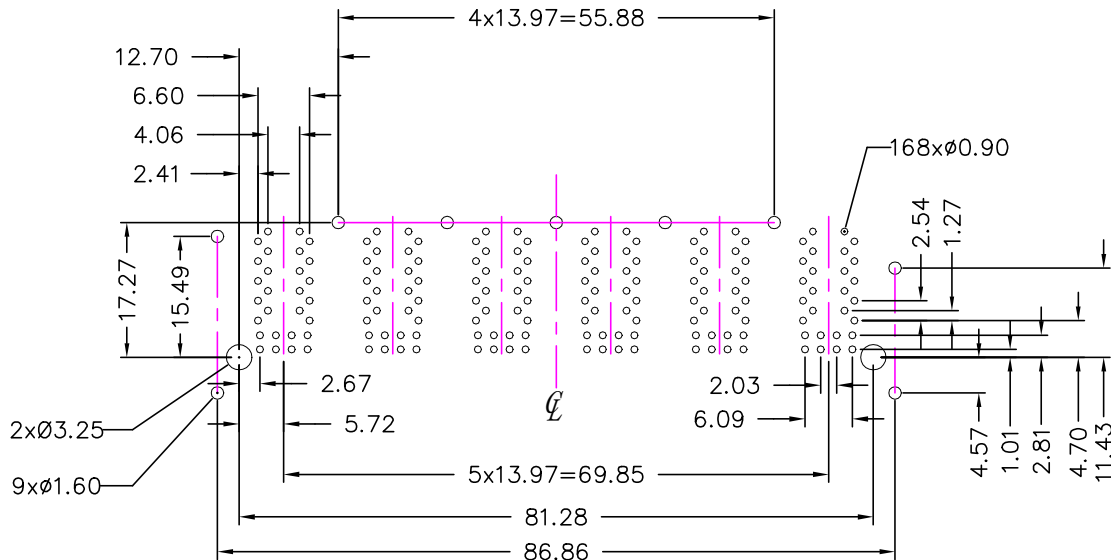
Dimensions in mm

Unless otherwise specified, Tolerance: .xx ±0.25

REV.: 04

HR862635H

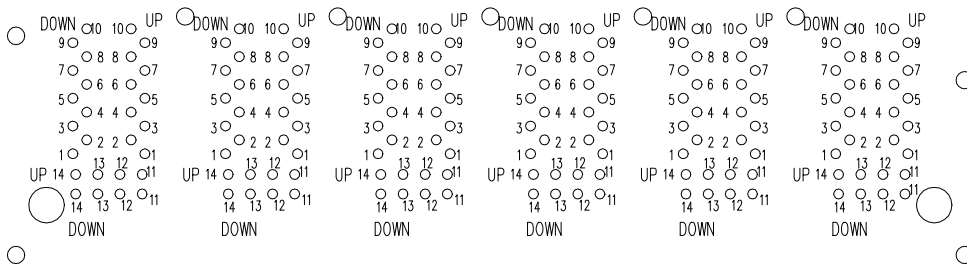
PCB Layout:



(Recommended PCB layout)

All dimension tolerance are ± 0.08 unless otherwise specified

Pin Assignments:



Dimensions in mm

Unless otherwise specified, Tolerance: .xx ± 0.25

REV.: 04