

**HR681691**

**Electrical Specification @25°C**

RoHS Compliant (PB Free)

Operating Temperature Range: 0°C ~ +70°C

Isolation: 1500Vrms 0.5mA 60sec (Primary to Secondary)

OCL: 350uH Minimum @100KHz 100mV with 8mADC

Insertion Loss: -2.0dB Maximum @300KHz ~ 125MHz

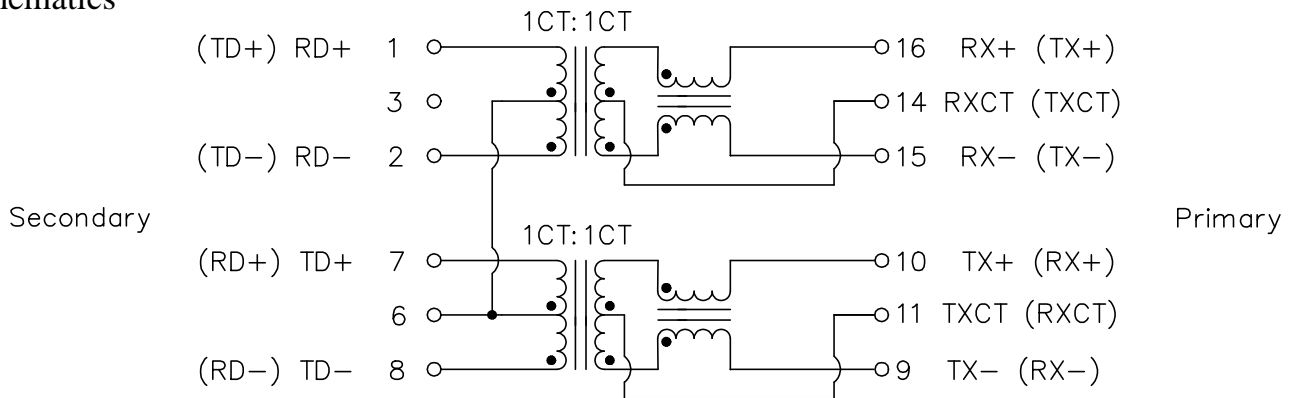
Return Loss: -16dB Minimum @1MHz ~ 30MHz / -12dB Minimum @30MHz ~ 60MHz  
 -10dB Minimum @60MHz ~ 80MHz

Common to Common Mode Rejection: -35dB Minimum @2MHz

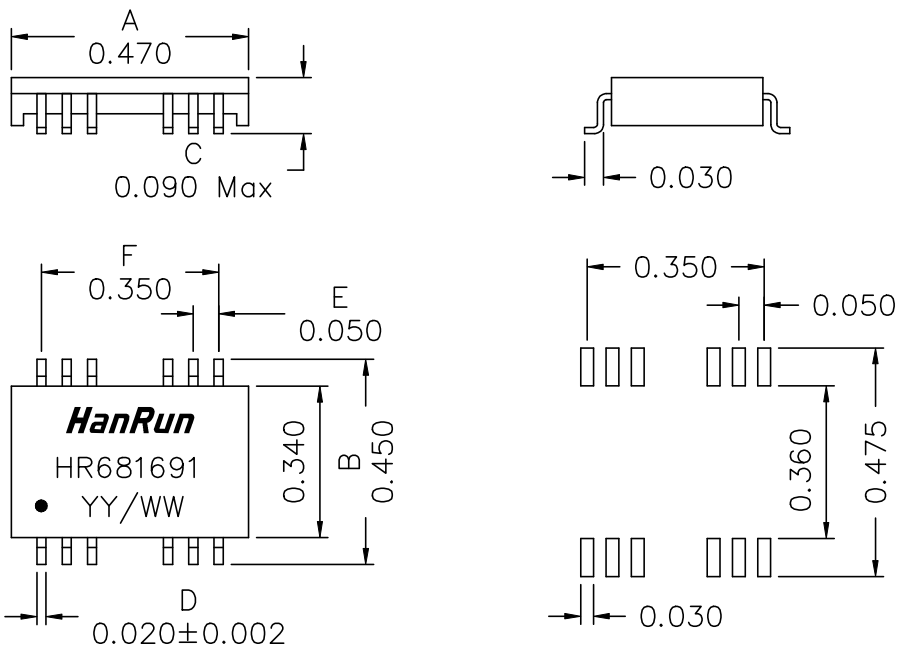
-15dB Minimum @30MHz ~ 200MHz

Crosstalk: -40dB Minimum @1MHz / -30dB Minimum @10MHz ~ 100MHz

**Schematics**



**Mechanical Dimensions**



Dimensions in inches

SUGGESTED PCB PAD LAYOUT

Unless otherwise specified, Tolerance: .xxx ±0.010

REV.: A/1