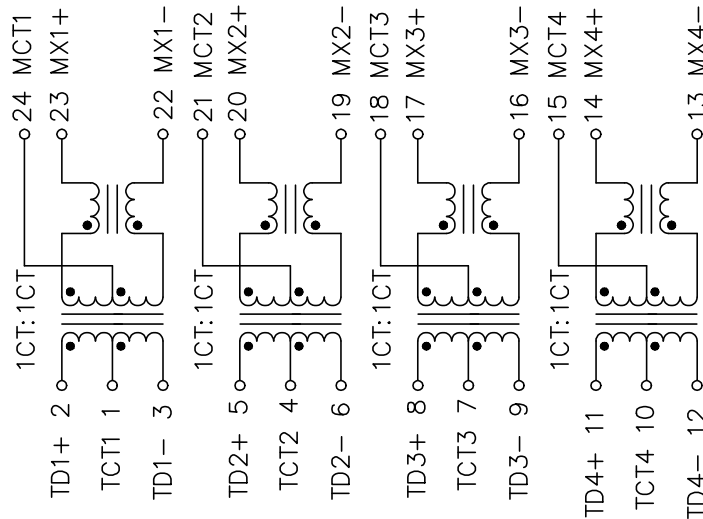


HR642482E

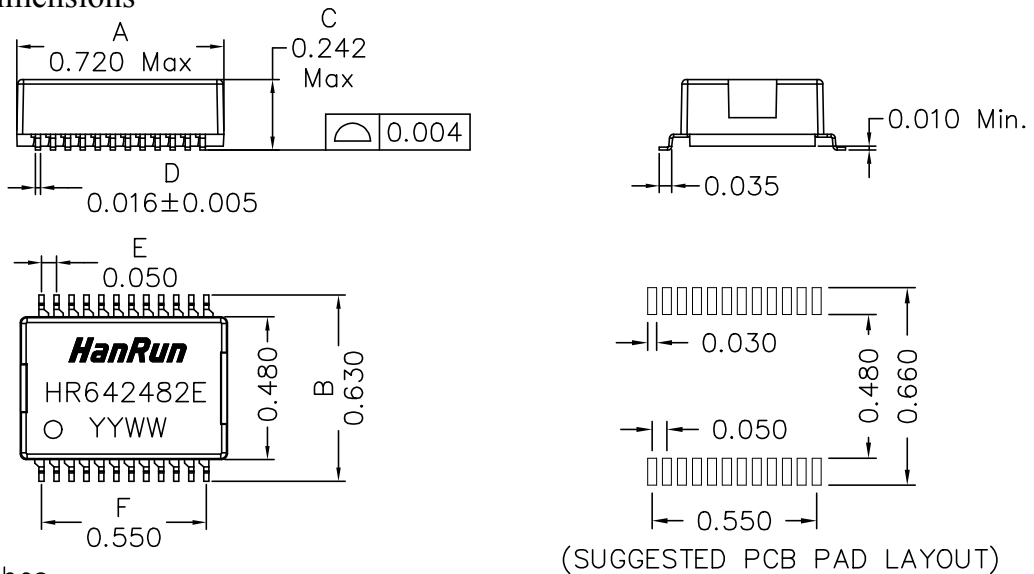
Electrical Specification @25°C

RoHS Compliant (PB Free)
 Operating Temperature Range: -40°C ~ +85°C
 Isolation: 1500Vrms 0.5mA 60sec (Primary to Secondary)
 OCL: 350uH Minimum @100KHz 100mV with 8mADC
 Insertion Loss: -1.0dB Maximum @1MHz ~ 100MHz
 Return Loss: -18dB Minimum @1MHz ~ 30MHz / -13.5dB Minimum @30MHz ~ 60MHz
 -12dB Minimum @60MHz~80MHz / -10dB Minimum @80MHz ~ 100MHz
 Common Mode Rejection: -30dB Minimum @1MHz ~ 100MHz
 Crosstalk: -30dB Minimum @1MHz~100MHz

Schematics



Mechanical Dimensions



(SUGGESTED PCB PAD LAYOUT)

Dimensions in inches

Unless otherwise specified, Tolerance: .xxx ±0.010

REV.: 01