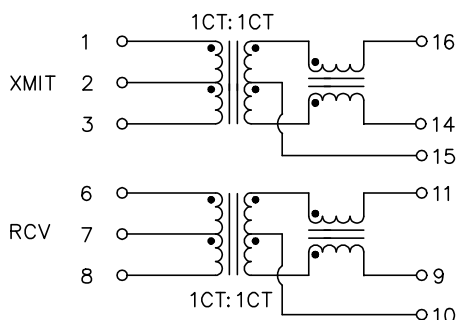


**HR641680**

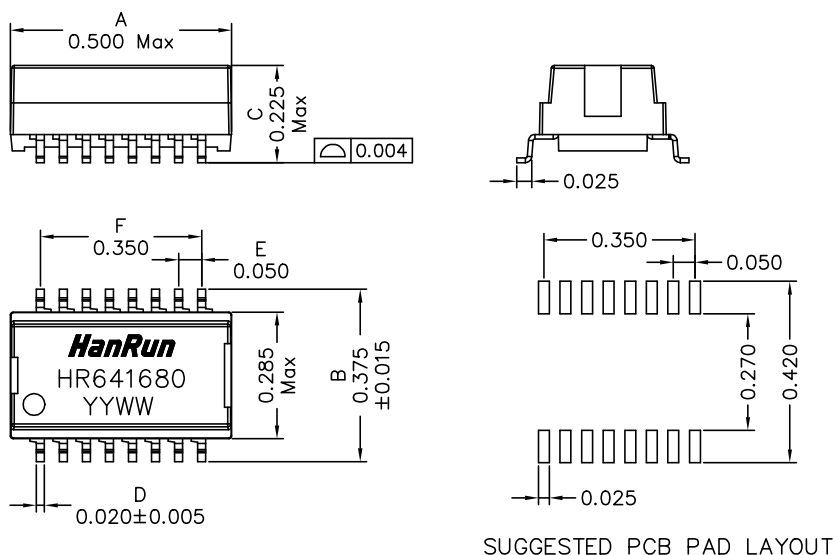
**Electrical Specification @25°C**

- RoHS Compliant (PB Free)
- Operating Temperature Range: -0°C ~ +70°C
- Isolation: 1500Vrms 0.5mA 60sec (Primary to Secondary)
- OCL: 350uH Minimum @100KHz 100mV with 8mADC
- Turns Ratio: 1 : 1 ±2% (Primary : Secondary)
- Insertion Loss: -1.0dB Maximum @300KHz ~ 100MHz
- Return Loss: -18dB Minimum @1MHz ~ 30MHz / -14dB Minimum @30MHz ~ 60MHz  
 -12dB Minimum @60MHz ~ 80MHz  
 -10dB Minimum @80MHz ~ 100MHz
- CMR: -30dB Minimum @1MHz ~ 100MHz
- Crosstalk: -30dB Minimum @1MHz ~ 100MHz

**Schematics**



**Mechanical Dimensions**



Dimensions in inches

Unless otherwise specified, Tolerance: .xxx ±0.010

REV.: 00