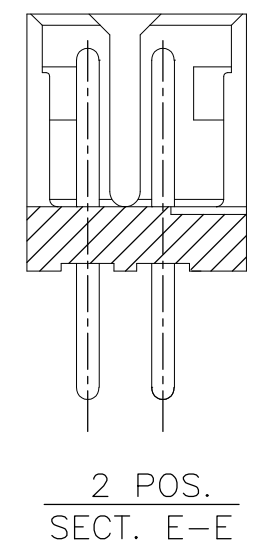
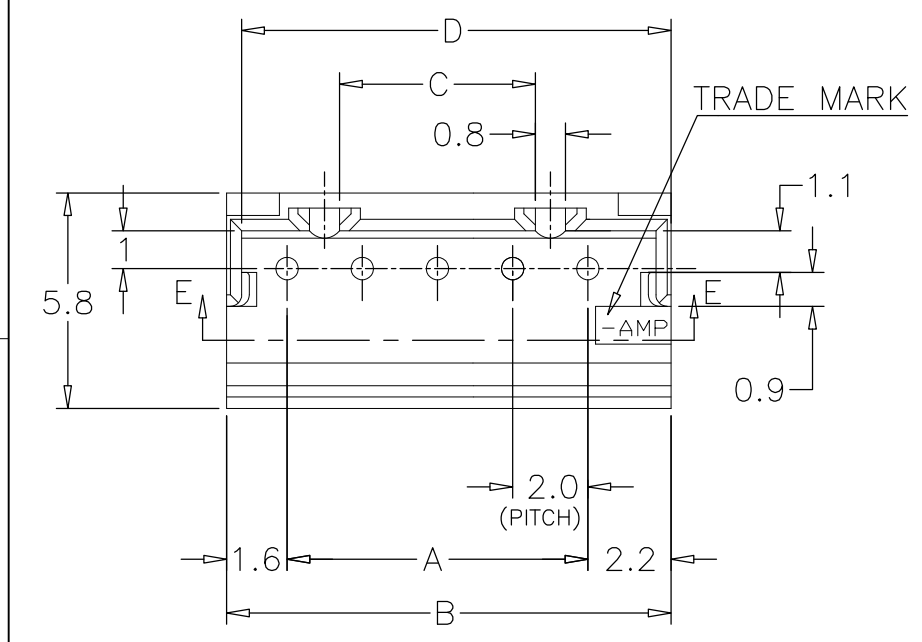
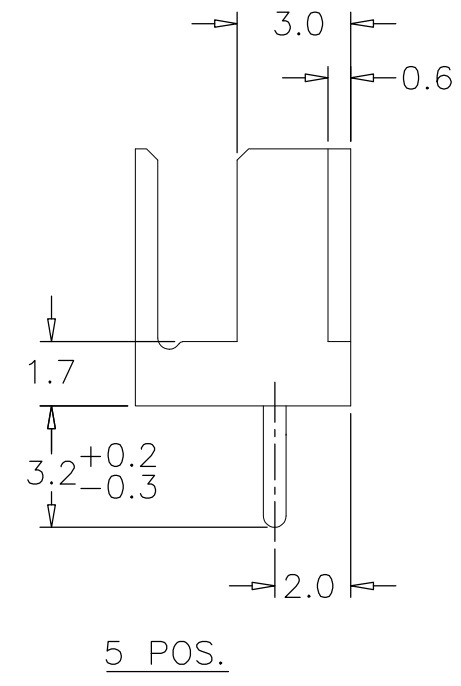
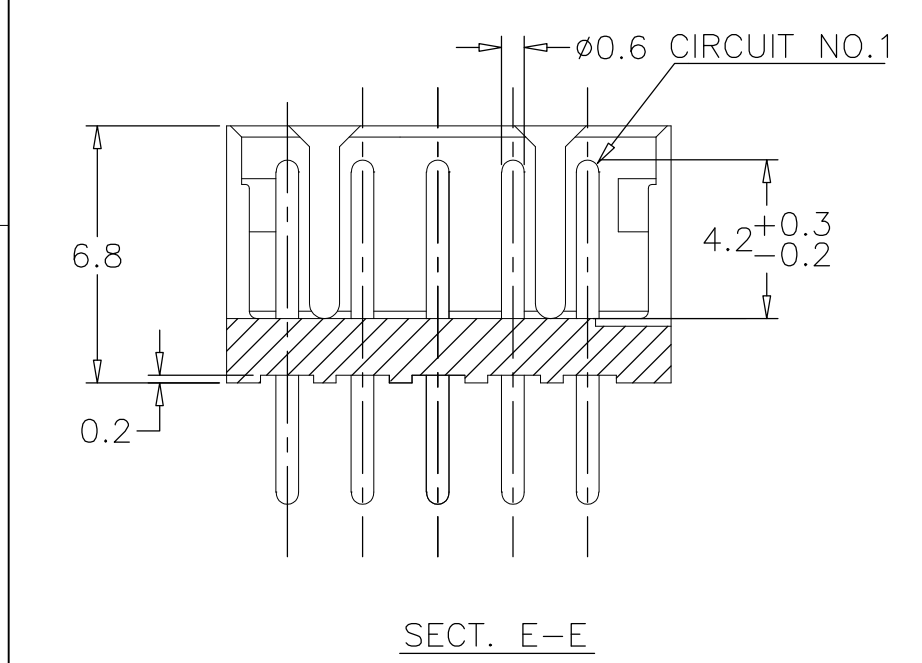
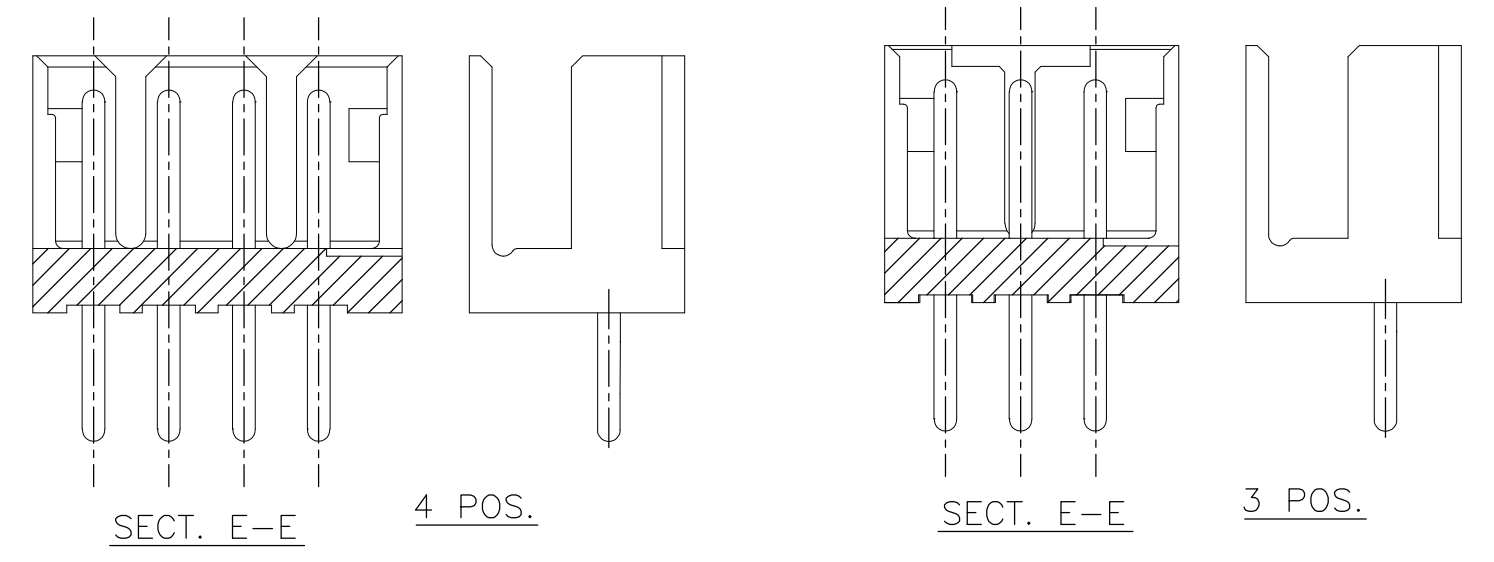


THIS DRAWING IS UNPUBLISHED. RELEASED FOR PUBLICATION
 © COPYRIGHT - By - ALL RIGHTS RESERVED.

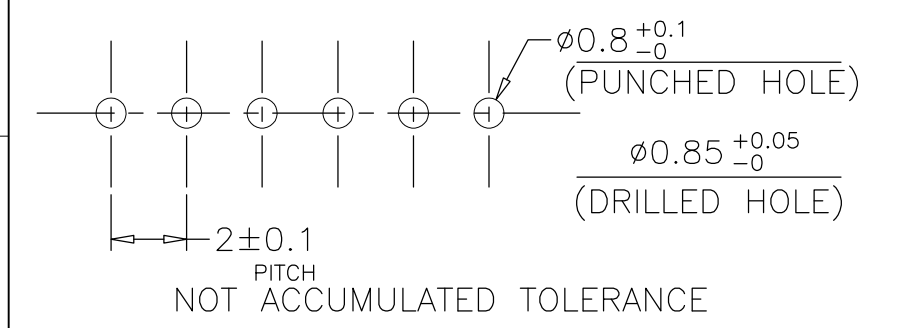
LOC	DIST	REVISIONS					
FB	00	P	LTR	DESCRIPTION	DATE	DWN	APVD
		P		REVISED PER ECO-11-005033	25MAR11	RK	HMR



- NOTES:
 1 MATERIAL : HOUSING-66 NYLON (UL94V-0)
 POST -TIN BRASS
 2 THIS PRODUCT IS W/O KINK OF P/N 292132
 3 APPLICABLE RECEPTACLE : P/N 173977



			1-292133-5	15	28	31.8	25.2	31.0
			1-4	14	26	29.8	23.2	29.0
			1-3	13	24	27.8	21.2	27.0
			1-2	12	22	25.8	19.2	25.0
			1-1	11	20	23.8	17.2	23.0
			1-0	10	18	21.8	15.2	21.0
			-9	9	16	19.8	13.2	19.0
			-8	8	14	17.8	11.2	17.0
			-7	7	12	15.8	9.2	15.0
			-6	6	10	13.8	7.2	13.0
			-5	5	8	11.8	5.2	11.0
			-4	4	6	9.8	3.2	9.0
6-292133-3	4-292133-3	2-292133-3	-3	3	4	7.8	-	7.0
			292133-2	2	2	5.8	-	5.0
BLACK	YELLOW	BLUE	NATURAL	POS.	A	B	C	D



RECOMMENDABLE P.C. BOARD LAYOUT
 (PCB THK : 0.8-1.6)

TOLERANCES UNLESS OTHERWISE SPECIFIED:

10 > *	: ±0.2
30 > * > 10	: ±0.25
100 > * > 30	: ±0.3
ANGEL	: ±3°

THIS DRAWING IS A CONTROLLED DOCUMENT.

DWN S.XU 31JAN03
 CHK S.YAO 31JAN03
 APVD T.SASAKI 31JAN03

TE Connectivity

NAME: POST HEADER ASS'Y (BOX-V TYPE) W/O KINK AMP CT CONNECTOR 2mm PITCH

PRODUCT SPEC: 108-60016

APPLICATION SPEC: -

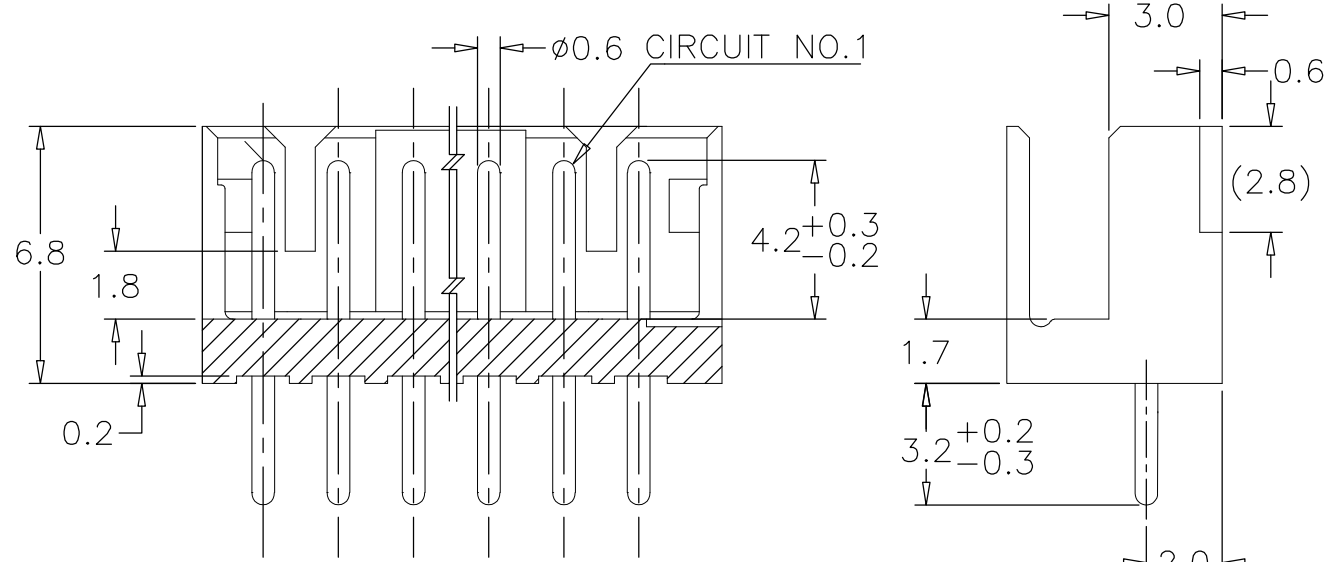
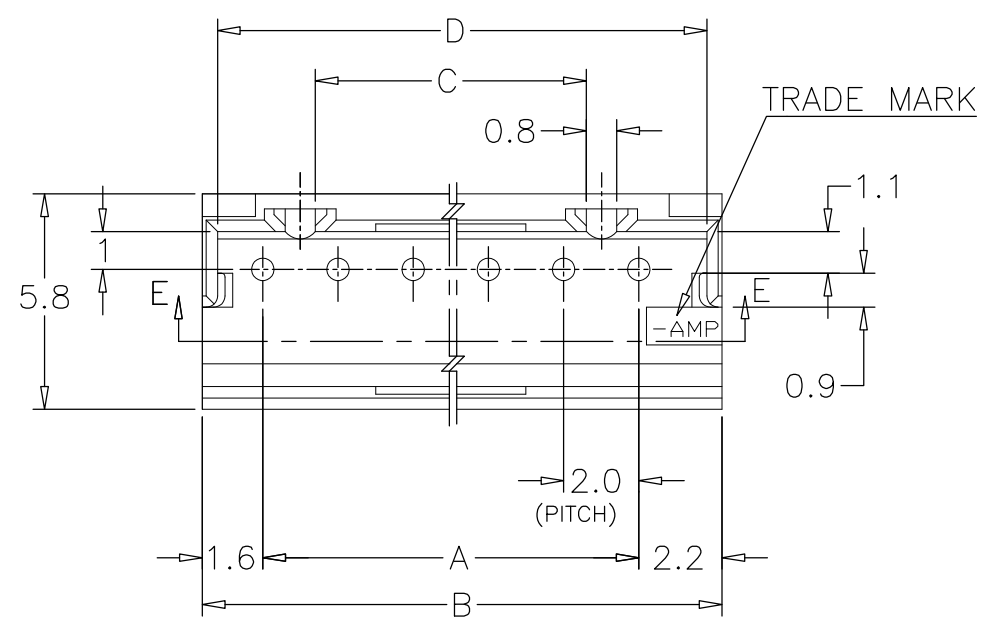
WEIGHT: -

SIZE: A3 CAGE CODE: 00779 DRAWING NO: C-292133 RESTRICTED TO: -

CUSTOMER DRAWING SCALE: 5:1 SHEET: 1 OF 2 REV: P

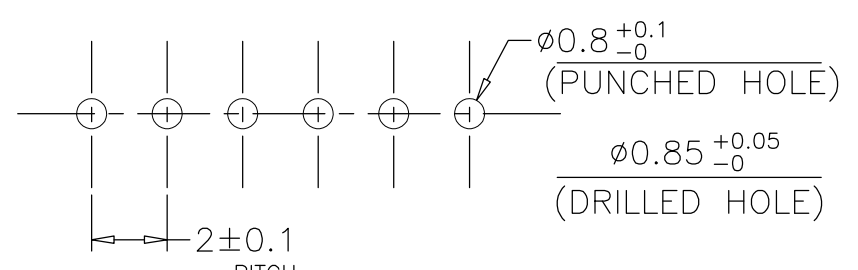
THIS DRAWING IS UNPUBLISHED. RELEASED FOR PUBLICATION
 © COPYRIGHT - By - ALL RIGHTS RESERVED.

LOC FB	DIST 00	REVISIONS			
P	LTR	DESCRIPTION	DATE	DWN	APVD
-	-	SEE SHEET 1	-	-	-



- NOTES:
- 1 MATERIAL : HOUSING-66 NYLON (UL94V-0)
POST -TIN BRASS
 - 2 THIS PRODUCT IS W/O KINK OF P/N 292132
 - 3 APPLICABLE RECEPTACLE : P/N 173977

SECT. E-E



NOT ACCUMULATED TOLERANCE

RECOMMENDABLE P.C. BOARD LAYOUT
(PCB THK : 0.8-1.6)

				1-292133-5	15	28	31.8	25.2	31.0
				1- ↑ -4	14	26	29.8	23.2	29.0
				1- -3	13	24	27.8	21.2	27.0
				1- -2	12	22	25.8	19.2	25.0
				1- -1	11	20	23.8	17.2	23.0
				1- -0	10	18	21.8	15.2	21.0
				-9	9	16	19.8	13.2	19.0
				-8	8	14	17.8	11.2	17.0
				-7	7	12	15.8	9.2	15.0
				-6	6	10	13.8	7.2	13.0
				-5					
				-4					
6-292133-3	4-292133-3	2-292133-3		-3					
				292133-2					
BLACK	YELLOW	BLUE		NATURAL	POS.	A	B	C	D

SEE SHEET 1 OF 2

THIS DRAWING IS A CONTROLLED DOCUMENT.

DWN 27DEC2002

CHK -

APVD -

PRODUCT SPEC -

APPLICATION SPEC -

WEIGHT -

CUSTOMER DRAWING

SCALE 5:1

SHEET 2 OF 2

REV P

TE Connectivity

POST HEADER ASS'Y (BOX-V TYPE) W/O KINK
AMP CT CONNECTOR 2mm PITCH

SIZE A3 CAGE CODE 00779 DRAWING NO C-292133 RESTRICTED TO -

Mouser Electronics

Authorized Distributor

Click to View Pricing, Inventory, Delivery & Lifecycle Information:

[TE Connectivity:](#)

[292133-2](#)