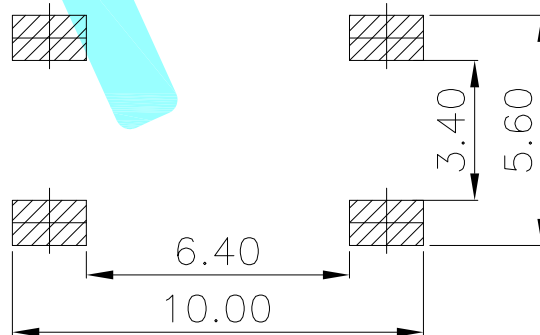
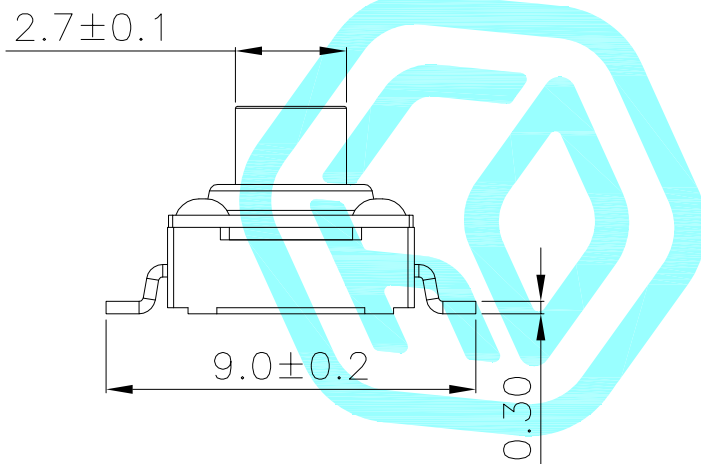


Circuit Diagram

NO.1			
PART NO	H	L	Keystoke
B	3.3	2.8	Black
A	4.3		
C	5.0		
G	7.0	3.15	Red
H	4.5		

NO.2-NO.3	
PART NO	NOTE
01~99	SERIAL NUMBER



PCB Layout(Pattern side)

NOTE:
 Rating: DC 12V 50mA
 Forcel: 250±50gf
 Travel: 0.3±0.1mm
 Life: 100,000 Cycles
 Waterproof: IP67

⑥	Waterproof pad	—	1	Silica gel	Black	—
⑤	Terminal	—	4	Brass	Plating silver	—
④	Contact	—	1	F.Ag/SUS	—	—
③	Base	—	1	PPA	Black	—
②	Cover	—	1	SUS	—	—
①	Keystoke	—	1	PPA	Red/Black	—
ITEM	PART NAME	TER'NO.	QTY.	MATERIAL	FINISHING	REMARK

APPROVALS		DATE	hro®			
DRAWN	LIUCAN	2022.2.16	TITLE:		TACT SWITCHS	
APPROVALS			PART NO.		K2-1110SP-□4SW-□□	
TOLERANCES ARE		30~以上 ±0.30	ANGLE	UNIT: mm	SCALE: 1:1	PROJ:
		10~30 ±0.20		DRAWING NO.		SHEET 1 OF 1
		5~10 ±0.15	±2'			
		~ 5 ±0.10				

ECN NO.	REV.	DATE.	DESCRIPTION.	CHANGE.	CHECK.	APPRO.
—	A	—	NEW	—	—	—