

Single Port RJ45 Connector  
with Integrated Magnetics and LED  
for 10/100/1000Base-T Applications

Part Number:

HR911131A

Electrical Specification @25°C

Isolation: 1500Vrms (UTP Side to Chip Side)

OCL: 350uH Minimum @100KHz 100mV with 8mADC

Turns Ratio: 1:1 ±5%

Insertion Loss: -1.0dB Maximum @1MHz ~ 100MHz

Return Loss: -18dB Minimum @1MHz ~ 30MHz

-14dB Minimum @30MHz ~ 60MHz

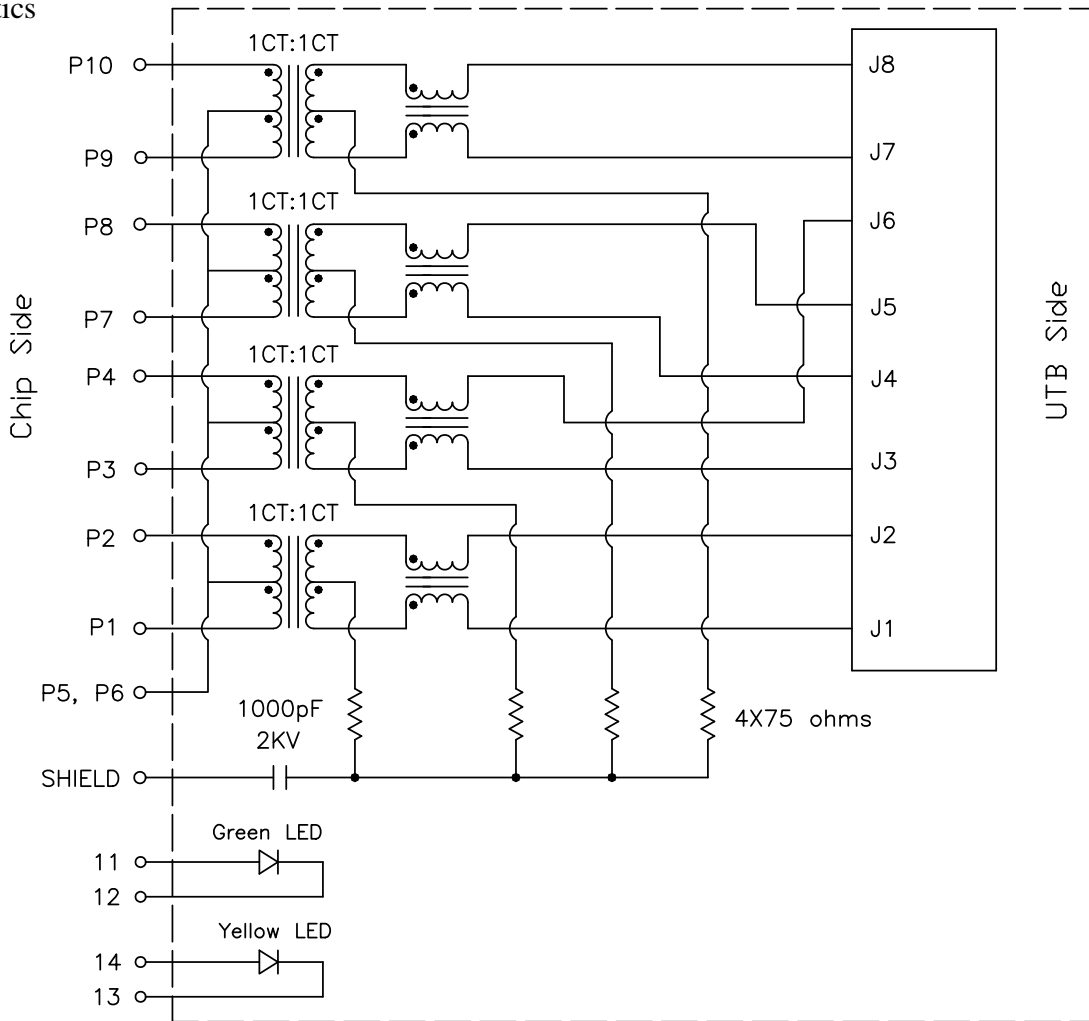
-12dB Minimum @60MHz ~ 80MHz

Common Mode Rejection: -30dB Minimum @1MHz ~ 100MHz

Crosstalk: -35dB Minimum @1MHz ~ 10MHz / -26dB Minimum @15MHz ~ 60MHz

-24dB Minimum @60MHz ~ 100MHz

Schematics



Part No.: HR911131A	Unless otherwise specified, Tolerance:	Rev: A	DRWN: 吴泽森	Date: 22-Oct-07
Dimensions in mm	.xx ±0.25	Page 1/2	APPD:	Date:

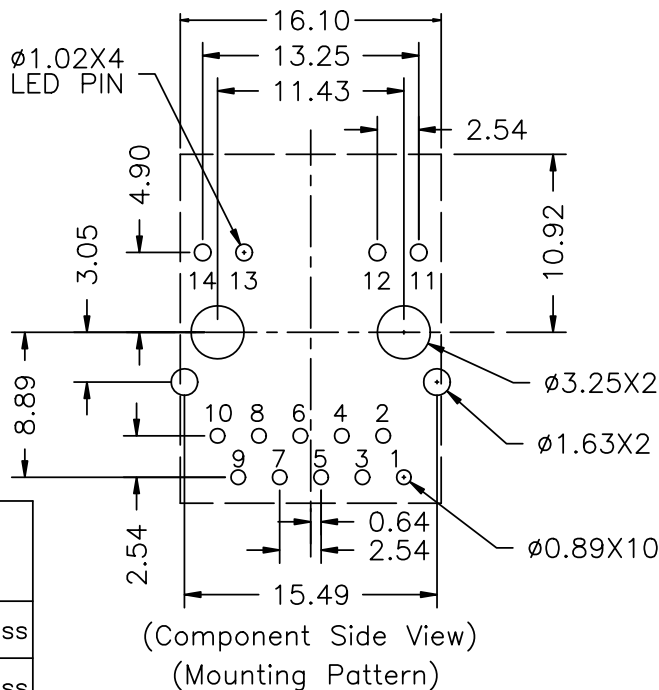
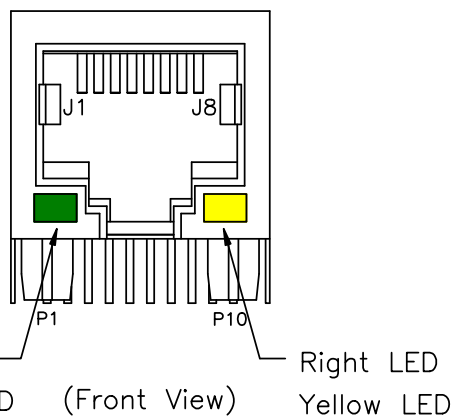
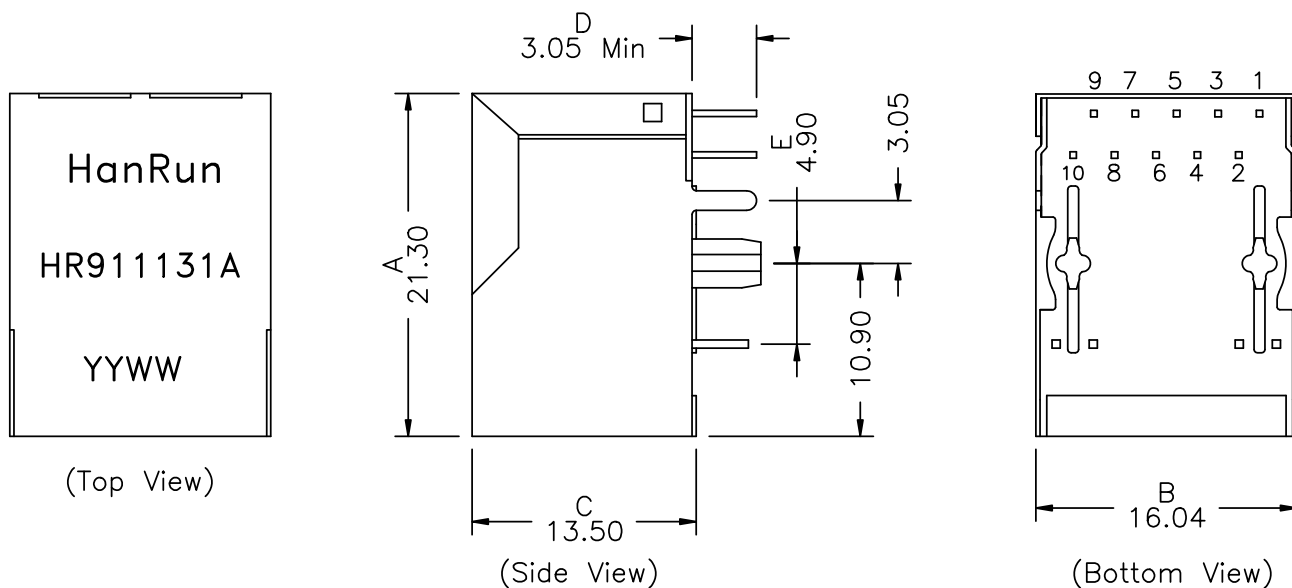


Part Number

HR911131A (Shield Type: A)

- Meets or Exceeds IEEE802.3ab standards for 1000Base-T
- High performance for EMI suppression, Crosstalk, Return Loss and Consistent Electrical
- Minimum 1500Vrms isolation per IEEE802.3 requirement
- Minimize PCB space and Simplify PCB Layout
- Less magnetic components to place on PCB, Higher reliability and yields

Mechanical Dimensions:



Standard LED	Wavelength	Forward V (Min/Max)	Forward A	Type
Green	568nm	1.8V/2.8V	20mA	squareness
Yellow	585nm	1.8V/2.8V	20mA	squareness