

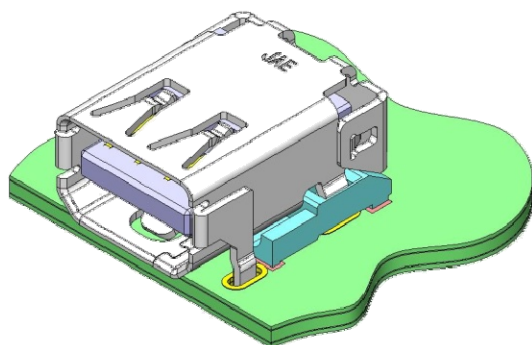
NEW



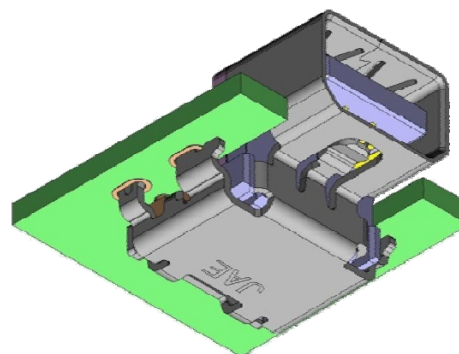
Thunderbolt Compatible Connector DP3 Series

CONNECTOR
MB-0248-1
June 2012

RoHS Compliant



On-board Standard



Reverse Sunk-into-the-board

The DP3 Series has been developed as an I/O connector compatible with Thunderbolt™ Technology for high-speed transmission between PCs and peripheral devices.

*Thunderbolt is a trademark of Intel in the US and other countries.

Features

- 10Gbps high-speed transmission connector for Thunderbolt.
- Available in standard and reverse mounting, sunk-into-the-board type is also available.
- Enhanced board mounting strength with through-hole hold-downs on the metal shell.
- Friction lock with the metal shell enhances cable plug retention strength and creates a clear click feeling when mated.
- Connector is supplied in embossed reel.

General Information

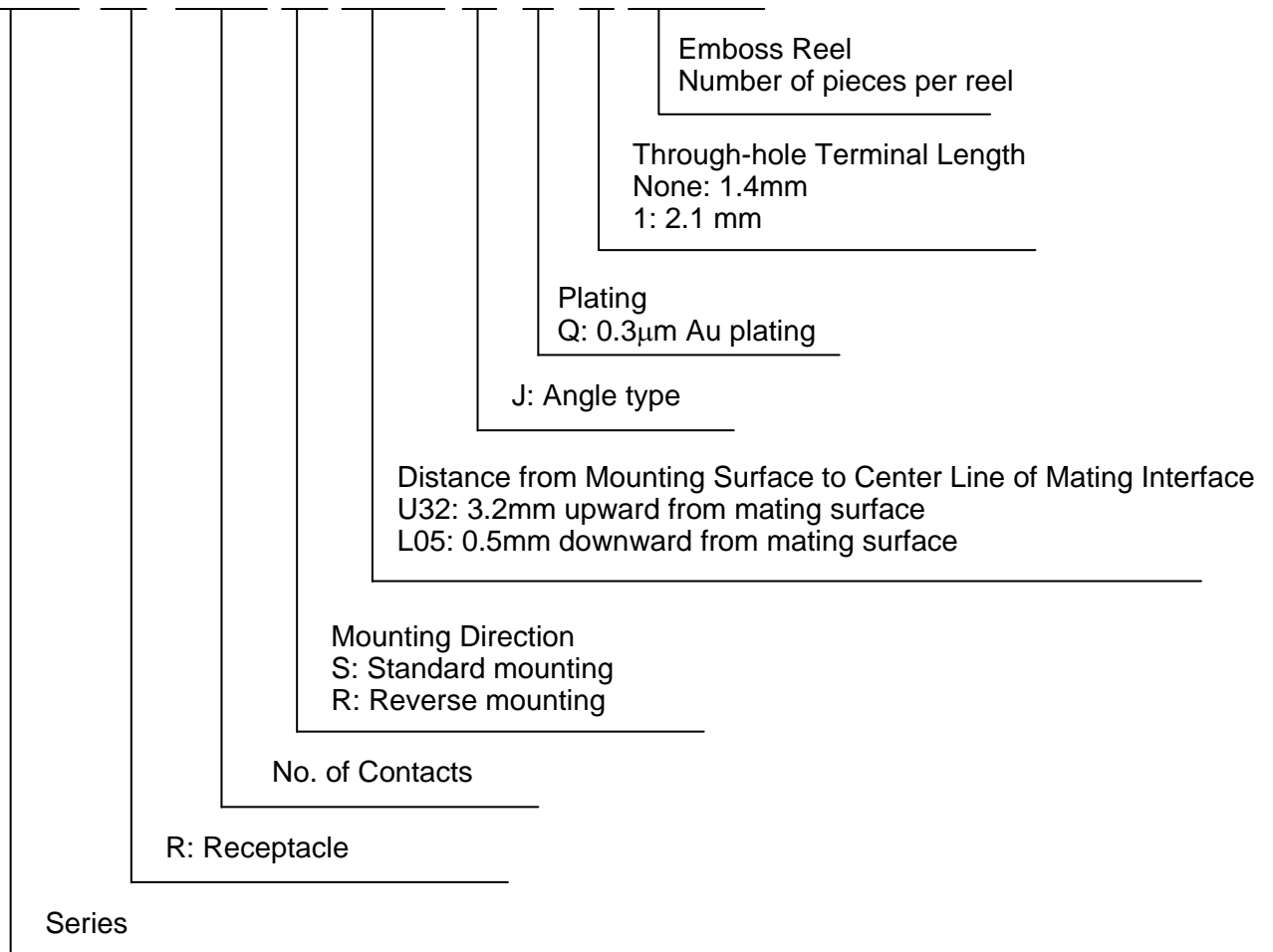
- | | |
|--|------------------------------------|
| ■ No. of Contacts: 20 | ■ Rated Current: 0.5A (signal pin) |
| ■ Contact Resistance: 100m Ω max. | ■ Insulation Resistance: 10MΩ min. |
| ■ Dielectric Withstanding Voltage:
AC300Vr.m.s per 1 minute | ■ Durability: 10,000 mating cycles |
| ■ Operating Temperature:
-20 Deg. C to +85 Deg. C | |

Materials / Finishes

Component	Material / Finish
Contact	Copper alloy / 0.3 μ Au plating over Ni (contact area) Sn plating over Ni (terminal area)
Housing	Glass filled LCP / None
Shell	Stainless steel / Ni

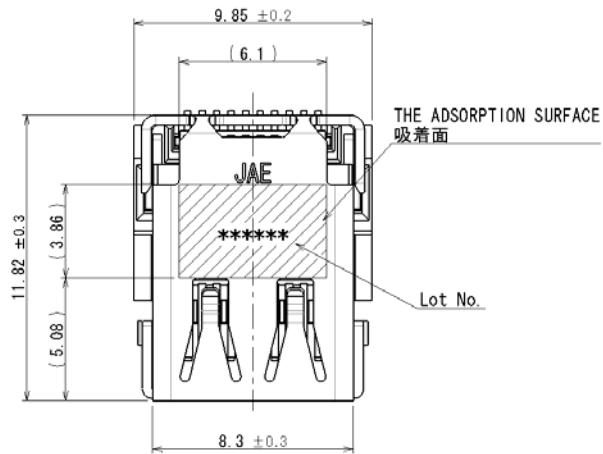
Ordering Information

DP3 R 020 S U32 J Q 1 R****

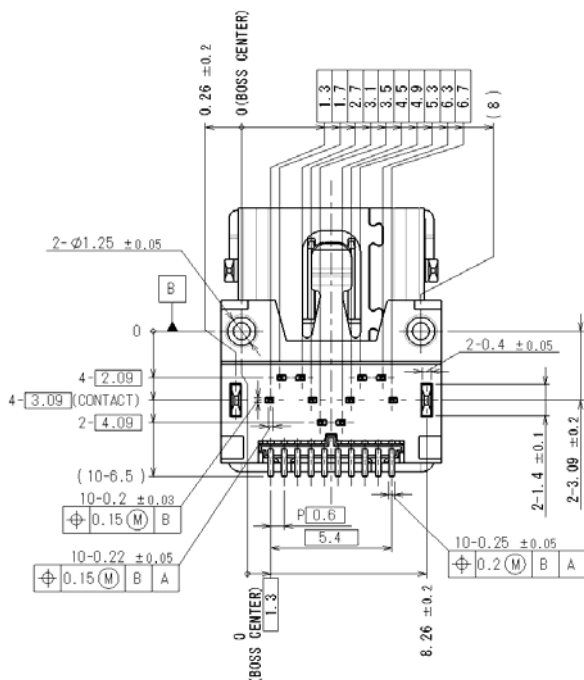
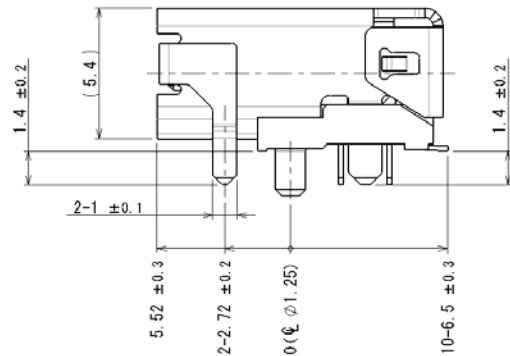
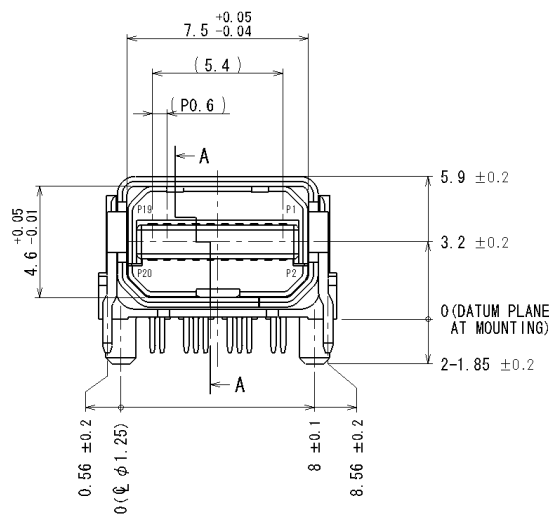


Part Number	SJ Drawing No.
DP3R020SU32JQ (Individual Connector)	SJ112287
DP3R020SU32JQR400 (Embossed Reel)	SJ112331

On-board
Standard Type

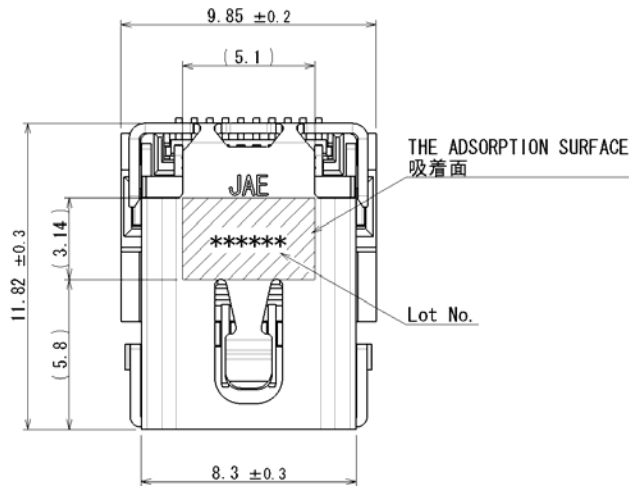


Unit: mm

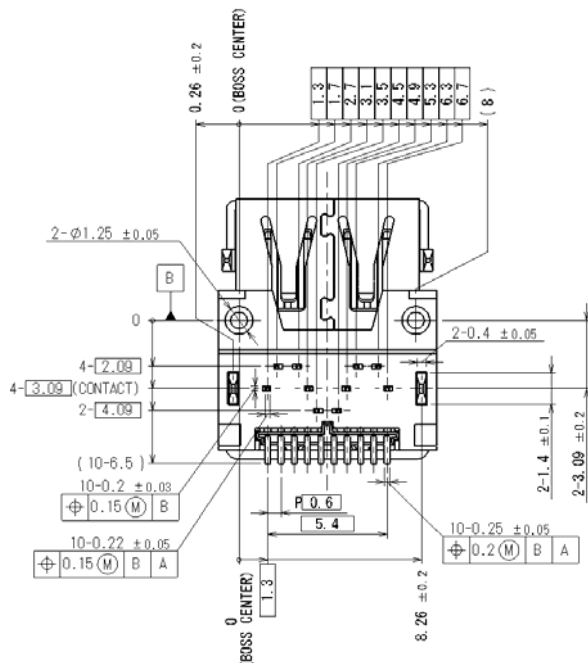
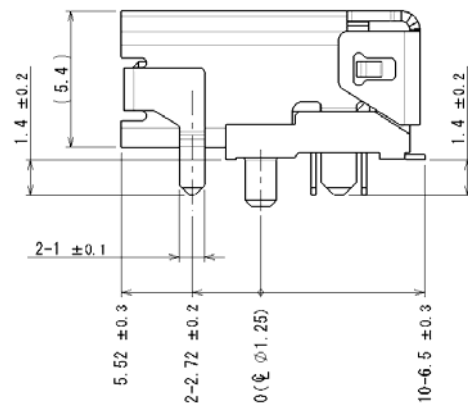
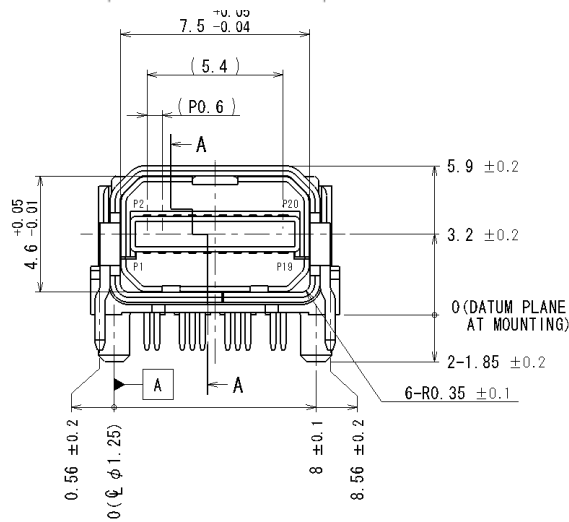


Part Number	SJ Drawing No.
DP3R020RU32JQ (Individual Connector)	SJ112289
DP3R020RU32JQR400 (Embossed Reel)	SJ112333

On-board
Reverse Type

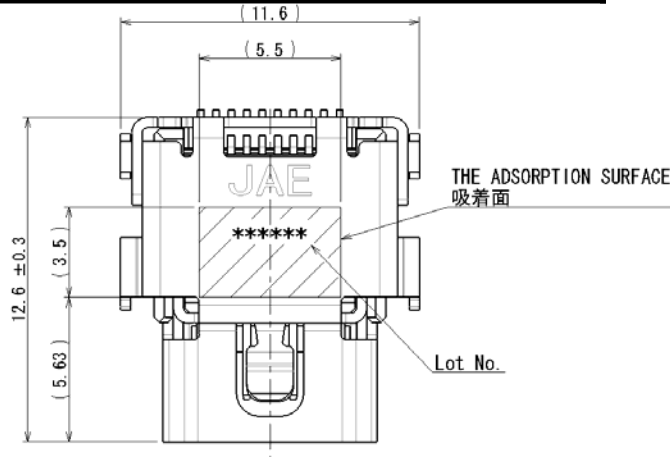


Unit: mm

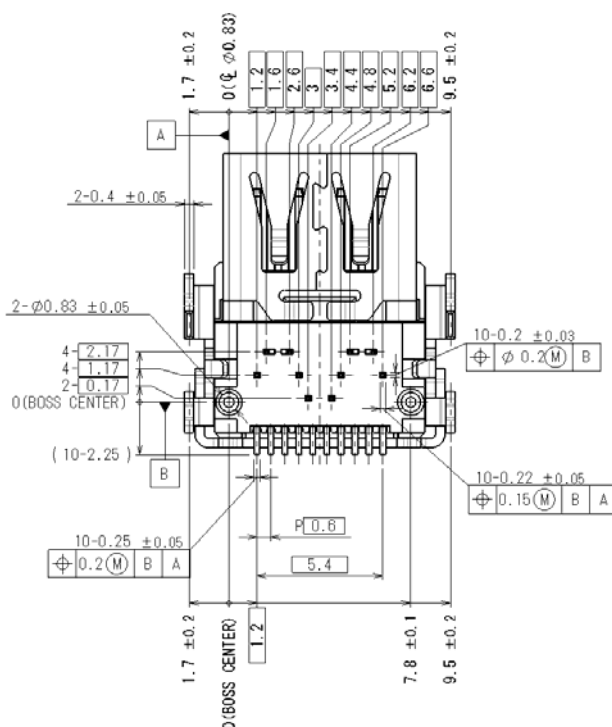
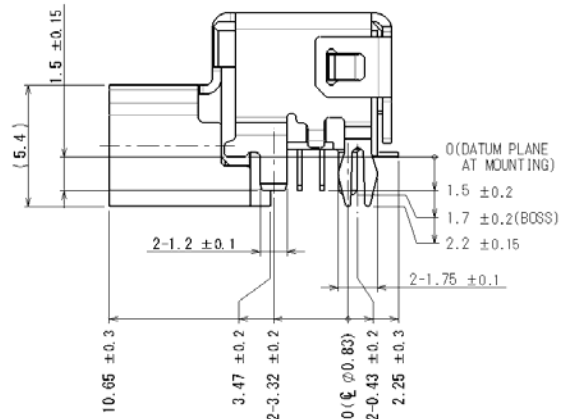
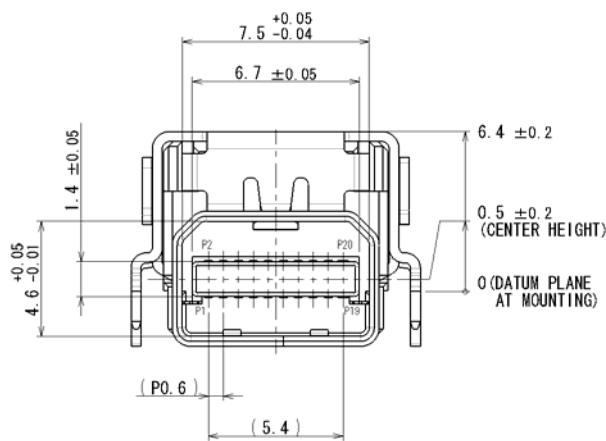


Part Number	SJ Drawing No.
DP3RB20RU05JQ (Individual Connector)	SJ112304
DP3RB20RU05JQR400 (Embossed Reel)	SJ112336

Sunk-into-the-board
Reverse Type



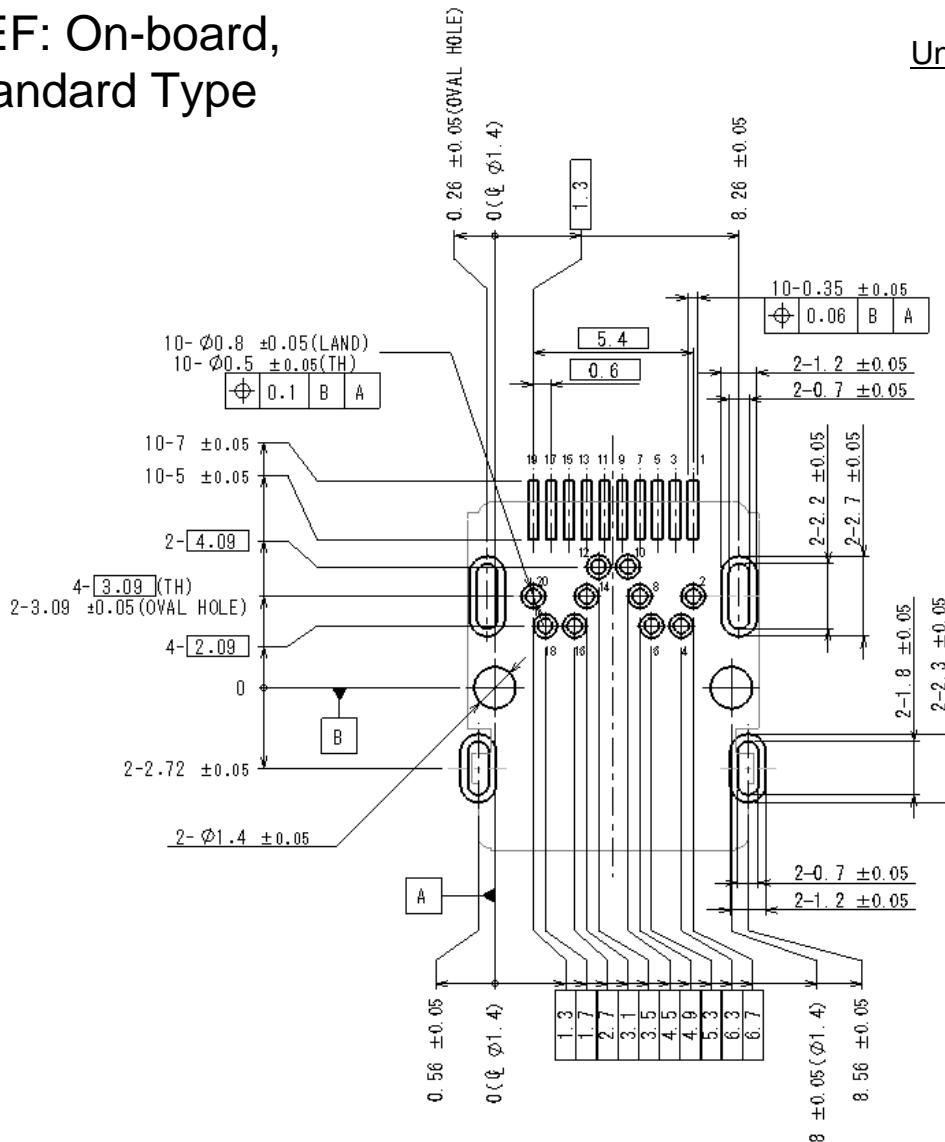
Unit: mm



Applicable Dimensions of Board

REF: On-board,
Standard Type

Unit: mm



APPLICABLE P.C.B DIMENSION (REF.)
適合基板寸法 (参考)

* Please refer to SJ drawing when considering use of this product.

Japan Aviation Electronics Industry, Limited

Product Marketing Division
Aobadai Building, 3-1-19, Aobadai, Meguro-ku, Tokyo 153-8539
Phone: +81-3-3780-2787 FAX: +81-3-3780-2946

Notice: Products shown in this brochure are made for the applications listed below. However, if the above-mentioned products are to be used in aerospace devices, marine cable-connection devices, atomic power control systems, medical equipment for life-support systems, or any other specific application requiring extremely high reliability, please contact JAE for further information.
Recommended applications: Computers, Office machines, Measuring devices, Telecommunication devices (Terminals, Mobile devices), AV devices, Household applications, FA devices, etc.

* The specifications in this brochure are subject to change without notice. Please contact JAE for information.

Mouser Electronics

Authorized Distributor

Click to View Pricing, Inventory, Delivery & Lifecycle Information:

[JAE Electronics:](#)

[DP3AR020SU32JQ1R400](#) [DP3R020SU32JQR400](#) [DP3R020RU32JQR400](#) [DP3R020RU32JQ1R400](#)
[DP3R020SU32JQ1R400](#)