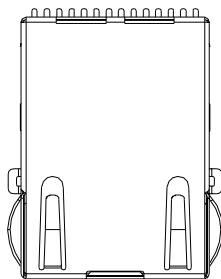
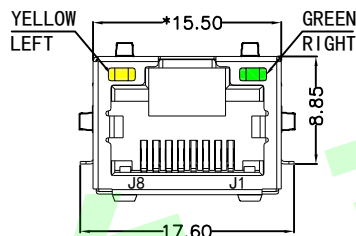


REACH & RoHS  
COMPLIANT

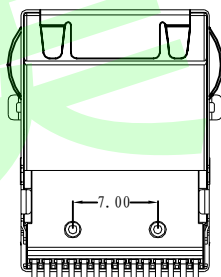
REV.	ECN / DESCRIPTION	BY	DATE
A0	NEW	ZG.Hu	2018.03.13



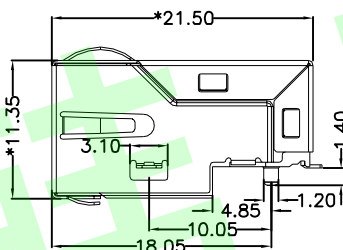
TOP VIEW



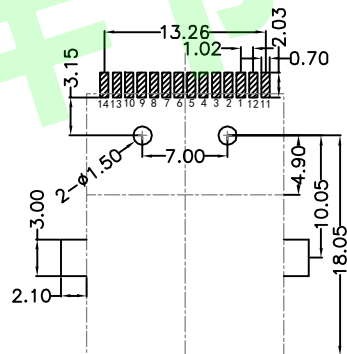
FRONT VIEW



BOTTOM VIEW



RIGHT SIDE VIEW



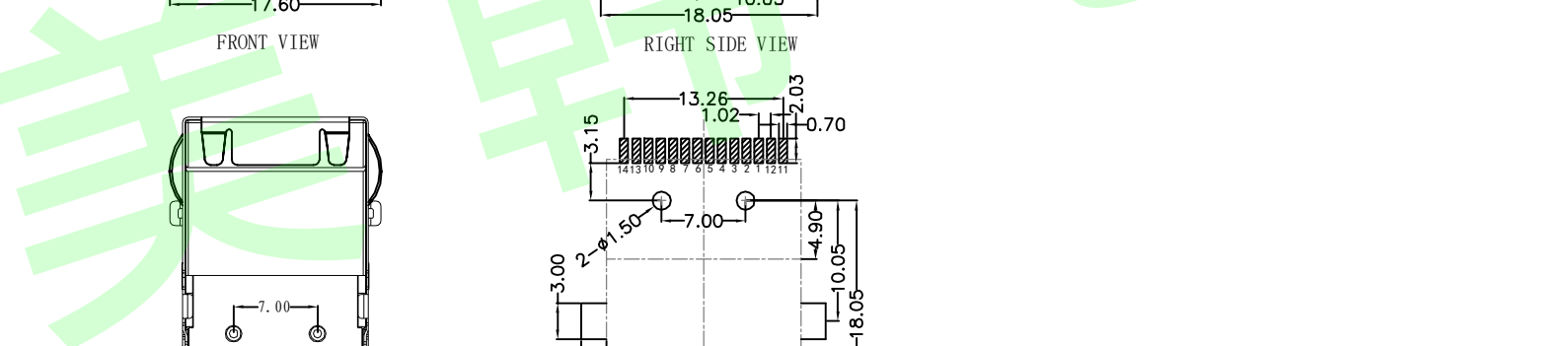
RECOMMENDED PCB LAYOUT  
VIEWED FROM COMPONENT SIDE

**MATERIAL:**

HOUSING: LCP,UL94V-0,BLACK.  
 TERMINALS BRACKET: LCP,UL94V-0,BLACK.  
 SHIELD: C2680,T=0.20MM,NICKEL PLATING ON ALL AREA.  
 TERMINAL: PHOSPHOR BRONZE C5191,T=0.35MM,  
 6U" GOLD PLATING ON CONTACT AREA.

**MECHANICAL:**

DURABILITY: 750 CYCLES MIN.  
 MATING FORCE: 23N MAX.  
 OPERATING TEMPERATURE: -40°C~+85°C.  
 STORAGE TEMPERATURE: -40°C~+85°C.  
 ALL CRITICAL DIMENSIONS WITH "\*"



东莞市美韩电子科技有限公司

Dongguan Usakro Electronic Technology Co., Ltd.

Tel : 0769-87869902

http://www.usakro.com

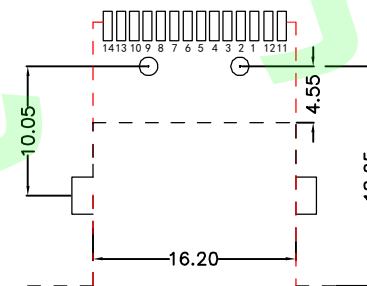
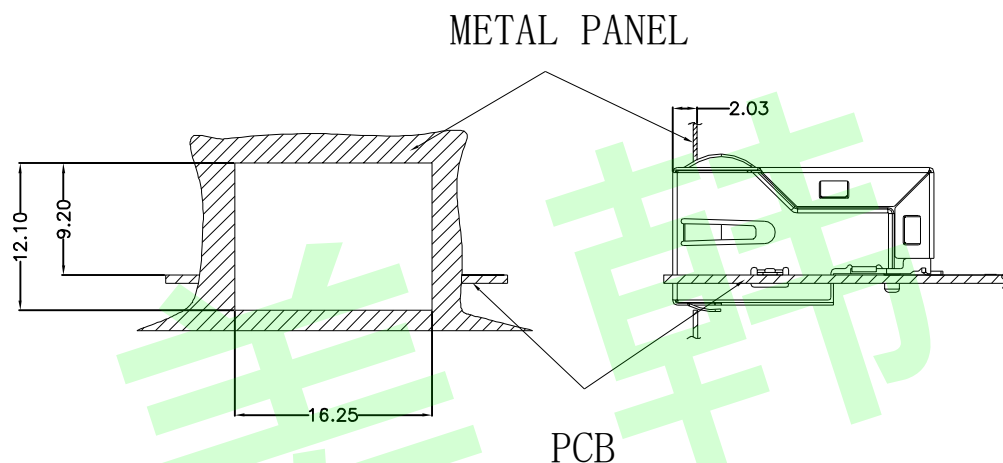
TITLE: TAB-UP 1X1 10/100/1000BASE 贴片	SIZE A4	UNITS MM[INCH]	GENERAL TOLERANCES UNLESS SPECIFIED		APPROVED BY: JP.Gong
PART NO.: UK-CB329YGZE3NL	SCALE 1:1	REV A0	$x \pm 0.35$	$x^\circ \pm 3.0^\circ$	CHECKED BY: TW.Xu
			$.xx \pm 0.30$	$.x^\circ \pm 2.0^\circ$	
REMARK:	SHEET 1/4		$.xx \pm 0.25$	$.xx^\circ \pm 1.5^\circ$	DESIGN BY: ZG.Hu
			$.xxx \pm 0.10$	$.xxx^\circ \pm 1.0^\circ$	

REACH & RoHS  
COMPLIANT

REV.	ECN / DESCRIPTION	BY	DATE
A0	NEW	ZG.Hu	2018.03.13

Suggested Panel Opening:

Keep-Out Area (Component Side View):



UNIT: mm / inch  
Tolerances:  $\pm 0.10$  / 0.004

UNIT: mm / inch  
Tolerances:  $\pm 0.10$  / 0.004



TITLE:  
TAB-UP 1X1 10/100/1000BASE 贴片

SIZE  
A4

UNITS  
MM[INCH]

GENERAL TOLERANCES  
UNLESS SPECIFIED

APPROVED BY:  
JP.Gong

PART NO.:  
UK-CB329YGZE3NL

SACLE  
1:1

REV  
A0

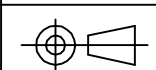
.xx $\pm 0.25$

.xx $\pm 1.5^\circ$

CHECKED BY:  
TW.Xu

REMARK:

SHEET  
2/4



.xxx $\pm 0.10$

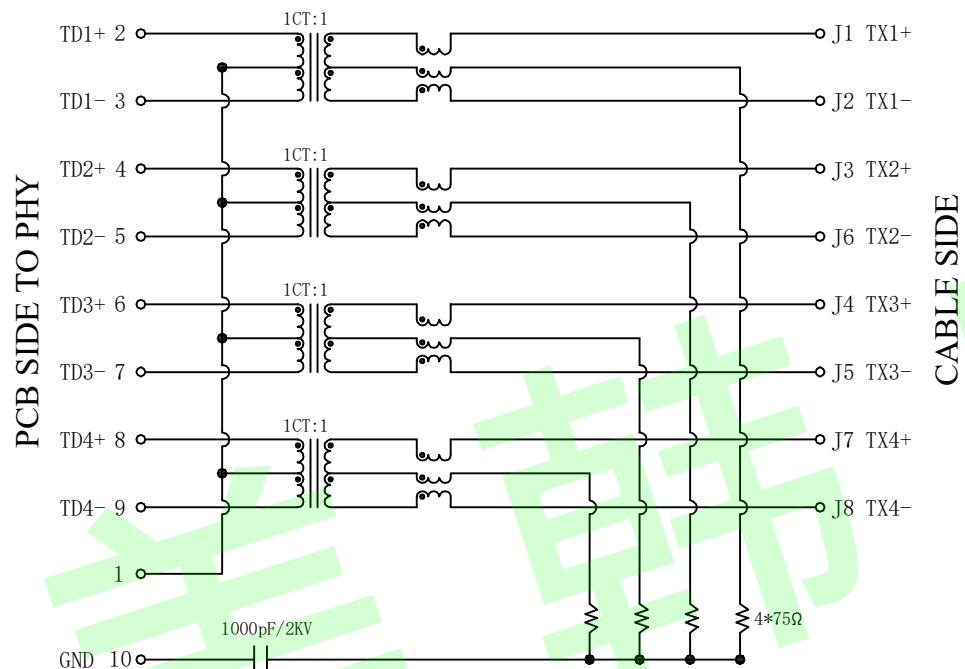
.xxx $\pm 1.0^\circ$

DESIGND BY:  
ZG.Hu

东莞市美韩电子科技有限公司  
Dongguan Usakro Electronic Technology Co., Ltd.  
Tel : 0769-87869902    <http://www.usakro.com>

REACH & RoHS  
COMPLIANT

REV.	ECN / DESCRIPTION	BY	DATE
A0	NEW	ZG.Hu	2018.03.13



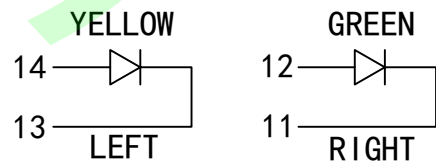
CABLE SIDE

**Electrical:**

1. Turn ratio: 2~3: J1~J2=1CT:1CT(±2%).  
4~5: J3~J6=1CT:1CT(±2%).  
6~7: J1~J2=1CT:1CT(±2%).  
8~9: J3~J6=1CT:1CT(±2%).
2. OCL: 350uH Min. at 100KHz 100mV 8mA DC.
3. Insertion Loss: -1.0 dB Max 1~100MHz.  
-1.2 dB Max 100~125MHz.
4. Return loss: -16dB Min 1~40MHz;  
-12dB Min 40~60MHz.  
-10dB Min 60~80MHz.  
-8dB Min 80~100MHz.
5. Cross talk: -30dB Min 1~100MHz;
6. CMR: -30dB Min 1~100MHz;
7. Hi-Pot: 2250V DC 6S 1mA PRI TO SEC

**LED Specification**

Standard LED Color	LED Wavelength	Foward(A)	Foward(V)
Green	568nm	20mA	1.85-2.45V
Yellow	585nm	20mA	1.7-2.2V



东莞市美韩电子科技有限公司

Dongguan Usakro Electronic Technology Co., Ltd.

Tel : 0769-87869902

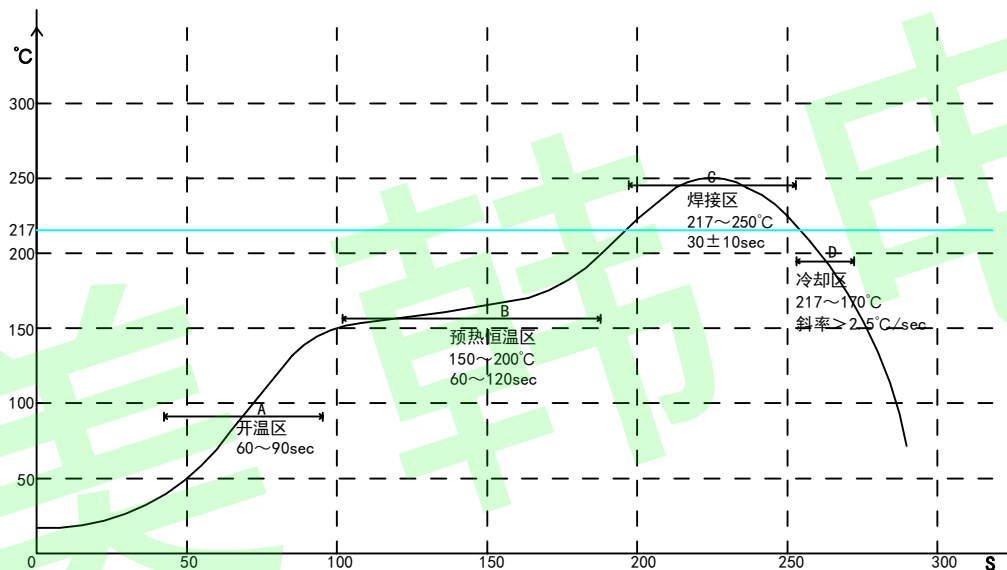
http://www.usakro.com

TITLE: TAB-UP 1X1 10/100/1000BASE 贴片	SIZE A4	UNITS MM[INCH]	GENERAL TOLERANCES UNLESS SPECIFIED		APPROVED BY: JP.Gong
PART NO.: UK-CB329YGZE3NL	SACLE 1:1	REV A0	x±0.35 .x±0.30	x°±3.0° .x°±2.0°	CHECKED BY: TW.Xu
REMARK:	SHEET 3/4		.xx±0.25 .xxx±0.10	.xx°±1.5° .xxx°±1.0°	DESIGND BY: ZG.Hu

REACH & RoHS  
COMPLIANT

REV.	ECN / DESCRIPTION	BY	DATE
A0	NEW	ZG.Hu	2018.03.13

## PROFILE OF REFLOW SOLDERING



A. Temperature range of open  
 B. Preheat temperature zone  
 C. The welding zone  
 D. The cooling zone  
 Tip temperature: 265±5°C.  
 Tip temperature time: 30±10Sec.  
 Tip melting point of Sn96.5/Ag3/Cu0.5.



东莞市美韩电子科技有限公司  
 Dongguan Usakro Electronic Technology Co., Ltd.  
 Tel : 0769-87869902    http://www.usakro.com

TITLE:  
TAB-UP 1X1 10/100/1000BASE 贴片

PART NO.:  
UK-CB329YGZE3NL

REMARK:

SIZE  
A4

UNITS  
MM[INCH]

GENERAL TOLERANCES  
UNLESS SPECIFIED

APPROVED BY:  
JP.Gong

CHECKED BY:  
TW.Xu

DESIGND BY:  
ZG.Hu

SACLE  
1:1

REV  
A0

SHEET  
4/4

xx±0.35    x°±3.0°  
 .x±0.30    .x°±2.0°  
 .xx±0.25    .xx°±1.5°  
 .xxx±0.10    .xxx°±1.0°

APPROVED BY:  
JP.Gong

CHECKED BY:  
TW.Xu

DESIGND BY:  
ZG.Hu