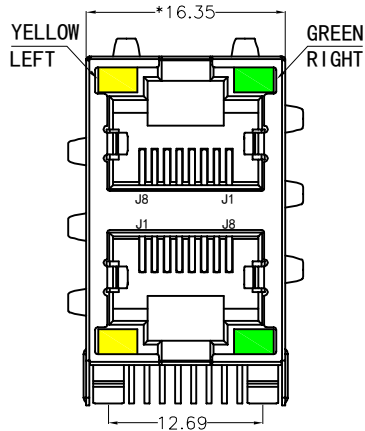
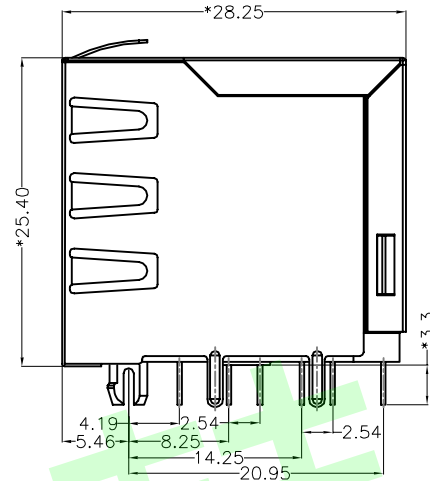


REACH & RoHS
COMPLIANT

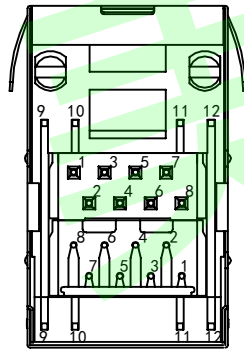
REV.	ECN / DESCRIPTION	BY	DATE
A0	NEW	ZG.HU	2017.10.17
A1	Increase the size	ZG.HU	2022.11.10



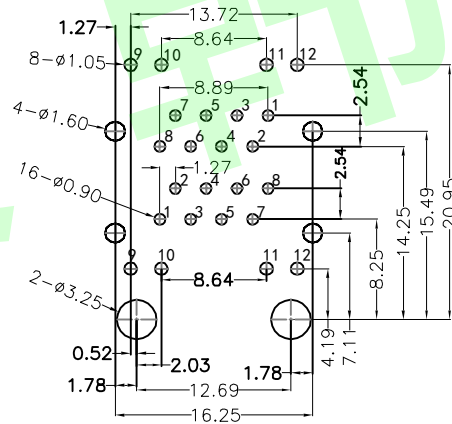
FRONT VIEW



RIGHT SIDE VIEW



BOTTOM VIEW



RECOMMENDED PCB LAYOUT
VIEWED FROM COMPONENT SIDE

MATERIAL:

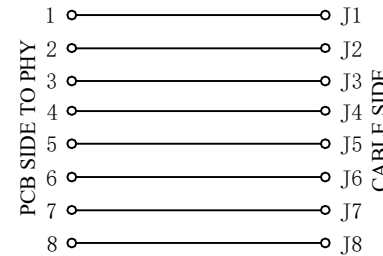
HOUSING: PBT,UL94V-0,BLACK.
TERMINAL: PHOSPHOR BRONZE $\phi=0.46\text{MM}$,
G/FU" GOLD PLATING ON CONTACT AREA.
SHIELD: C2680,T=0.20MM,20 MIN NICKEL PLATING
ON ALL AREA.

MACHANICAL:

DURABILITY: 750 CYCLES MIN,12.5MM/MINUTE.
INSERTION FORCE: 2.2KG.F MAX.
RETENTION STRENGTH : 7.7KG.F BETWEEN JACK AND PLUG.
OPERATING TEMPERATURE: $-40^{\circ}\text{C}\sim+85^{\circ}\text{C}$.
STORAGE TEMPERATURE: $-40^{\circ}\text{C}\sim+85^{\circ}\text{C}$.
ALL CRITICAL DIMENSIONS WITH "*"

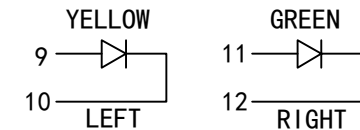
ELECTRICAL:

VOLTAGE: 125 VOLTS AC.
CURRENT RATING : 1.5AMP.
DIELECTRIC STRENGTH: 1000 VAC RMS 50HZ OR 60HZ,1MIN.
INSULATION RESISTANCE: 500 MEGA OHMS MIN. INITIAL
AFTER 500V DC FOR 1 MINUTE.
CONTACT RESISTANCE: SINGLE TERMINAL 30 MILLIOHMS MAX.
INITIAL 50 MILLIOHMS MAX. AFTER
DURABILITY TEST.



LED Specification

Standard LED Color	LED Wavelength	Foward(A)	Foward(V)
Green	568nm	20mA	1.85-2.45V
Yellow	585nm	20mA	1.7-2.2V



TITLE: RJ45 5921 2*1	SIZE A4	UNITS MM[INCH]	GENERAL TOLERANCES UNLESS SPECIFIED		APPROVED BY: JP.Gong
PART NO.: DGUK59212188DB1A1DY1C022短体	SACLE 1:1	REV A1	$x\pm 0.35$	$x^{\circ}\pm 3.0^{\circ}$	CHECKED BY: TW.Xu
REMARK:	SHEET 1/1		$.x\pm 0.30$	$.x^{\circ}\pm 2.0^{\circ}$	DESIGND BY: ZG.Hu
			$.xx\pm 0.25$	$.xx^{\circ}\pm 1.5^{\circ}$	
			$.xxx\pm 0.10$	$.xxx^{\circ}\pm 1.0^{\circ}$	

东莞市美韩电子科技有限公司

Dongguan Usakro Electronic Technology Co., Ltd.

Tel : 0769-87869902

http://www.usakro.com