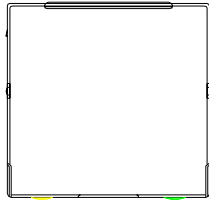
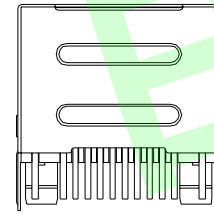
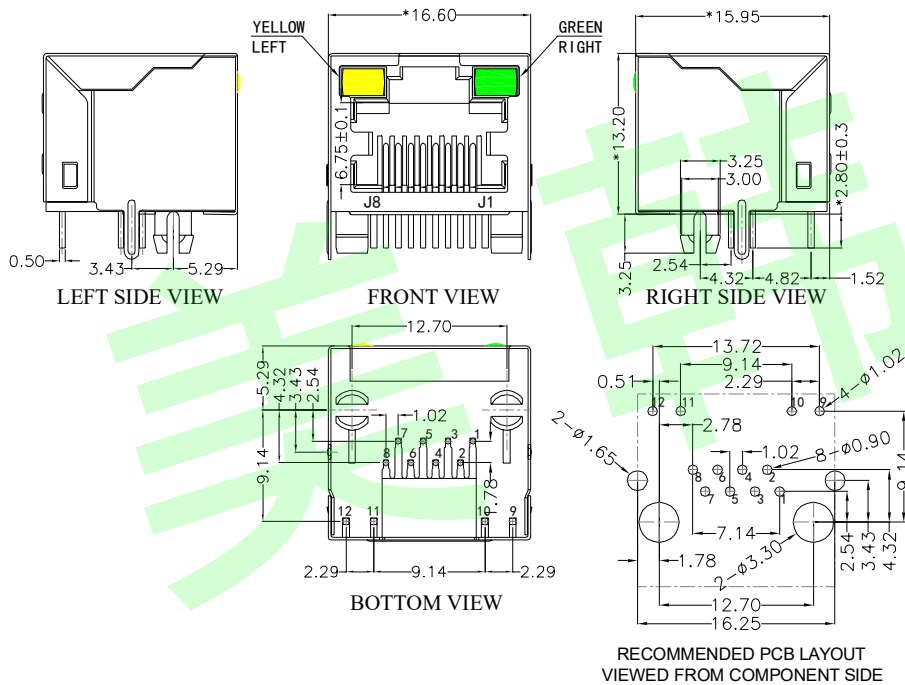


REACH & RoHS  
COMPLIANT

REV.	ECN / DESCRIPTION	BY	DATE
A0	NEW	ZG.HU	2017.11.8
A1	PCB板直径修改	ZG.HU	2021.08.06



TOP VIEW



BACK VIEW

**MATERIAL:**

HOUSING: PBT,UL94V-0,BLACK.  
TERMINAL: PHOSPHOR BRONZE  $\phi=0.46\text{MM}$ , G/FU" GOLD PLATING.  
SHIELD: C2680,T=0.20MM,20U" MIN NICKEL PLATING  
ON ALL AREA.

**MACHANICAL:**

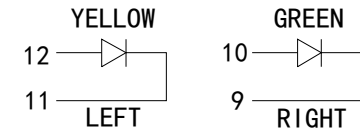
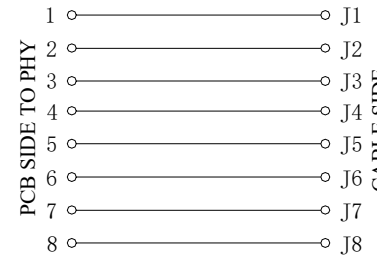
DURABILITY: 750 CYCLES MIN,12.5MM/MINUTE.  
INSERTION FORCE: 2.2KG.F MAX.  
RETENTION STRENGTH : 7.7KG.F BETWEEN JACK AND PLUG.  
OPERATING TEMPERATURE:  $-40^{\circ}\text{C}\sim+85^{\circ}\text{C}$ .  
STORAGE TEMPERATURE:  $-40^{\circ}\text{C}\sim+85^{\circ}\text{C}$ .  
ALL CRITICAL DIMENSIONS WITH "\*"

**ELECTRICAL:**

VOLTAGE: 125 VOLTS AC.  
CURRENT RATING : 1.5AMP.  
DIELECTRIC STRENGTH: 1000 VAC RMS 50HZ OR 60HZ,1MIN.  
INSULATION RESISTANCE: 500 MEGA OHMS MIN. INITIAL  
AFTER 500V DC FOR 1 MINUTE.  
CONTACT RESISTANCE: SINGLE TERMINAL 30 MILLIOHMS MAX.  
INITIAL 50 MILLIOHMS MAX. AFTER  
DURABILITY TEST.

**LED Specification**

Standard LED Color	LED Wavelength	Foward(A)	Foward(V)
Green	568nm	20mA	1.85-2.45V
Yellow	585nm	20mA	1.7-2.2V



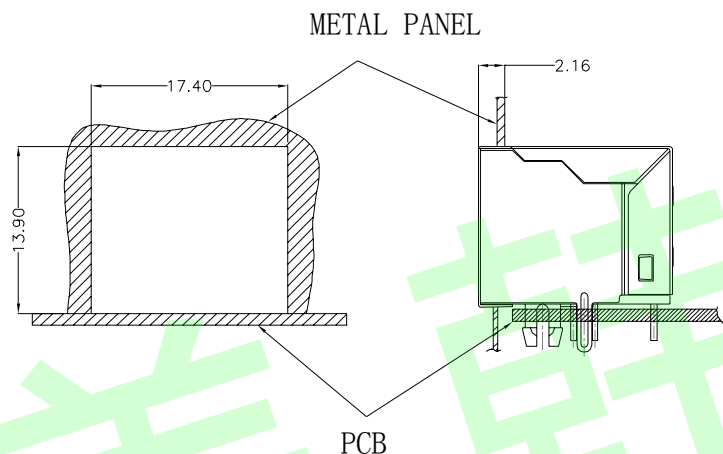
<b>TITLE:</b> RJ45直通 56带屏蔽带灯	<b>SIZE</b> A4	<b>UNITS</b> MM[INCH]	<b>GENERAL TOLERANCES</b> UNLESS SPECIFIED		<b>APPROVED BY:</b> JP.Gong
<b>PART NO.:</b> DGUK561188AB1A1DY128	<b>SACLE</b> 1:1	<b>REV</b> A1	$x\pm 0.35$	$x^{\circ}\pm 3.0^{\circ}$	<b>CHECKED BY:</b> TW.Xu
<b>REMARK:</b>	<b>SHEET</b> 1/2		$.xx\pm 0.25$	$.xx^{\circ}\pm 1.5^{\circ}$	<b>DESIGND BY:</b> ZG.Hu
			$.xxx\pm 0.10$	$.xxx^{\circ}\pm 1.0^{\circ}$	

东莞市美韩电子科技有限公司  
Dongguan Usakro Electronic Technology Co., Ltd.  
Tel : 0769-87869902    http://www.usakro.com

REACH & RoHS  
COMPLIANT

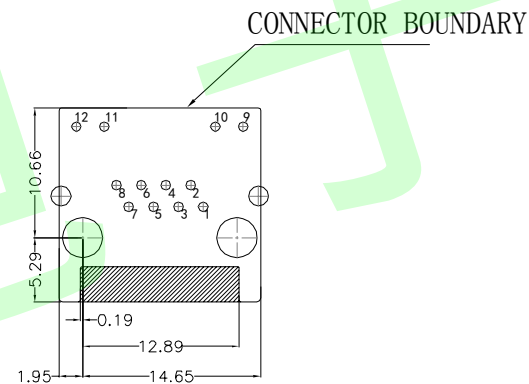
REV.	ECN / DESCRIPTION	BY	DATE
A0	NEW	ZG.Hu	2017.12.28
A1	PCB板直径修改	ZG.HU	2021.08.06

RECOMMENDED PANEL CUTOUT (REFERENCE ONLY):



UNIT: MM / INCH  
TOLERANCES:  $\pm 0.10 / 0.004$   
REFERENCE ONLY

KEEP-OUT AREA (COMPONENT SIDE VIEW):



PLUG-IN SIDE

UNIT: MM / INCH  
TOLERANCES:  $\pm 0.10 / 0.004$



东莞市美韩电子科技有限公司

Dongguan Usakro Electronic Technology Co., Ltd.

Tel : 0769-87869902

http://www.usakro.com

TITLE:  
RJ45直通 56带屏蔽带灯

PART NO.:  
DGKUK561188AB1A1DY128

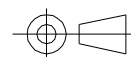
REMARK:

SIZE  
A4  
UNITS  
MM[INCH]

SACLE  
1:1

SHEET  
2/2

REV  
A1



GENERAL TOLERANCES  
UNLESS SPECIFIED

$x \pm 0.35$	$x^\circ \pm 3.0^\circ$
$.x \pm 0.30$	$.x^\circ \pm 2.0^\circ$
$.xx \pm 0.25$	$.xx^\circ \pm 1.5^\circ$
$.xxx \pm 0.10$	$.xxx^\circ \pm 1.0^\circ$

APPROVED BY:  
JP.Gong

CHECKED BY:  
TW.Xu

DESIGN BY:  
ZG.Hu