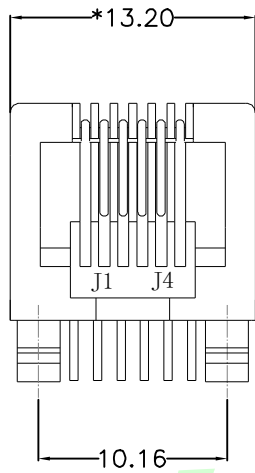
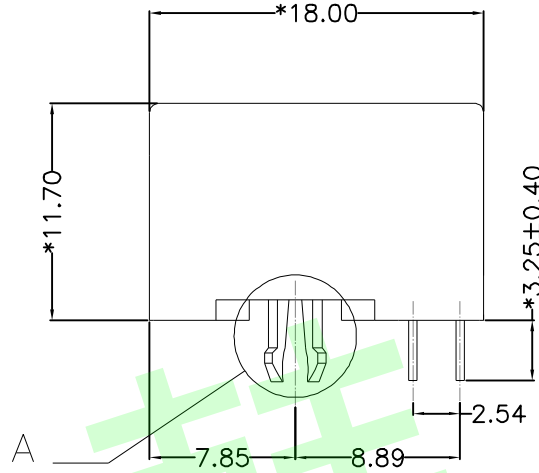


REACH & RoHS
COMPLIANT

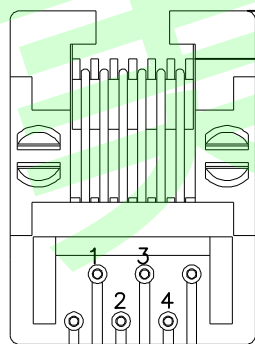
REV.	ECN / DESCRIPTION	BY	DATE
A0	NEW	ZG.Hu	2015.11.29



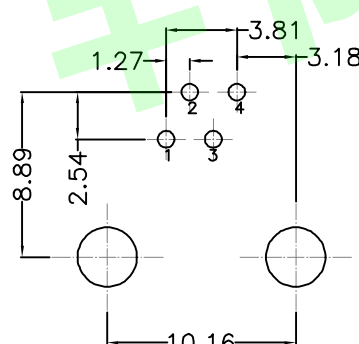
FRONT VIEW



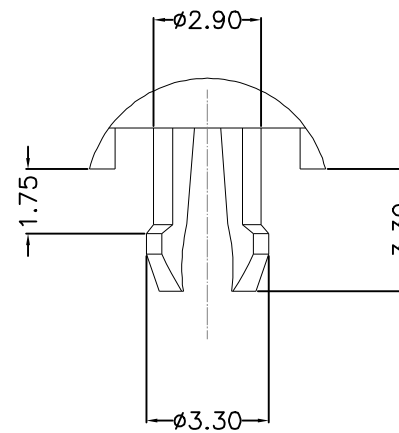
RIGHT SIDE VIEW



BOTTOM VIEW



RECOMMENDED PCB LAYOUT
VIEWED FROM COMPONENT SIDE



A(2:1)

MATERIAL:

HOUSING: PBT,UL94V-0,BLACK.
TERMINAL: PHOSPHOR BRONZE $\phi=0.46\text{MM,G/FU}$ GOLD PLATING.

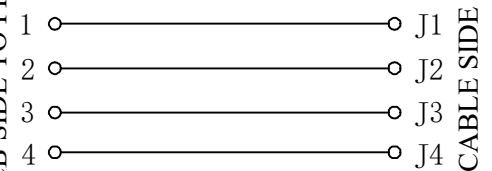
MACHANICAL:

DURABILITY: 750 CYCLES MIN,12.5MM/MINUTE.
INSERTION FORCE: 2.2KG.F MAX.
RETENTION STRENGTH : 7.7KG.F BETWEEN JACK AND PLUG.
OPERATING TEMPERATURE: $-40^{\circ}\text{C}\sim+85^{\circ}\text{C}$.
STORAGE TEMPERATURE: $-40^{\circ}\text{C}\sim+85^{\circ}\text{C}$.
ALL CRITICAL DIMENSIONS WITH "*"

ELECTRICAL:

VOLTAGE: 125 VOLTS AC.
CURRENT RATING : 1.5AMP.
DIELECTRIC STRENGTH: 1000 VAC RMS 50HZ OR 60HZ,1MIN.
INSULATION RESISTANCE: 500 MEGA OHMS MIN. INITIAL
AFTER 500V DC FOR 1 MINUTE.
CONTACT RESISTANCE: SINGLE TERMINAL 30 MILLIOHMS MAX.
INITIAL 50 MILLIOHMS MAX. AFTER
DURABILITY TEST.

PCB SIDE TO PHY



东莞市美韩电子科技有限公司
Dongguan Usakro Electronic Technology Co., Ltd.
Tel : 0769-87869902 http://www.usakro.com

TITLE:
5321 1X1 6P4C 全塑

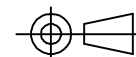
PART NO.:
DGUK53211164IWA1DY1

REMARK:

SIZE
A4
UNITS
MM[INCH]

SACLE
1:1
REV
A0

SHEET
1/1



GENERAL TOLERANCES
UNLESS SPECIFIED

$x\pm 0.35$	$x^{\circ}\pm 3.0^{\circ}$
$.x\pm 0.30$	$.x^{\circ}\pm 2.0^{\circ}$
$.xx\pm 0.25$	$.xx^{\circ}\pm 1.5^{\circ}$
$.xxx\pm 0.10$	$.xxx^{\circ}\pm 1.0^{\circ}$

APPROVED BY:
JP.Gong

CHECKED BY:
TW.Xu

DESIGND BY:
ZG.Hu