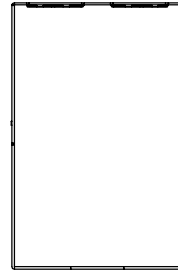
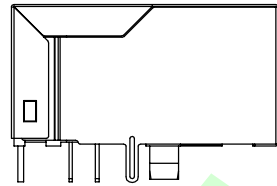


1 REACH & RoHS COMPLIANT

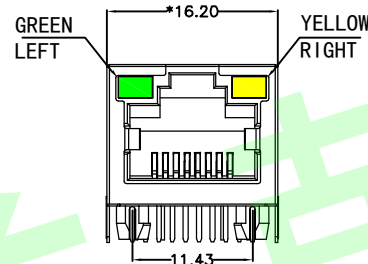
REV.	ECN / DESCRIPTION	BY	DATE
A0	NEW	ZG.Hu	2018.10.15



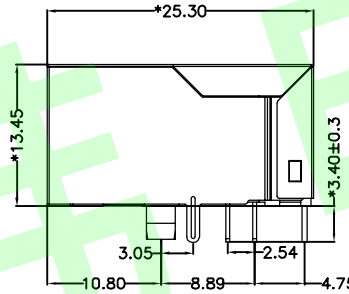
TOP VIEW



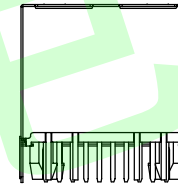
LEFT SIDE VIEW



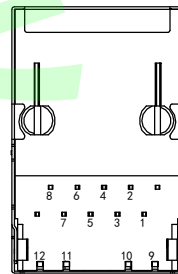
FRONT VIEW



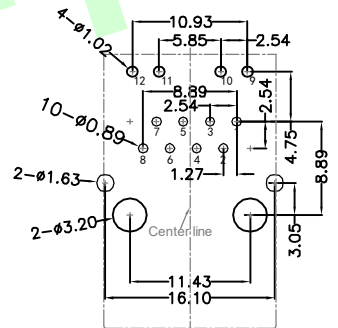
RIGHT SIDE VIEW



BACK VIEW



BOTTOM VIEW



RECOMMENDED PCB LAYOUT VIEWED FROM COMPONENT SIDE

MATERIAL:

HOUSING : PBT,UL94V-0,BLACK.
 TERMINALS BRACKET: PBT,UL94V-0,BLACK.
 SHIELD: C2680,T=0.20MM,NICKEL PLATING ON ALL AREA.
 TERMINAL: PHOSPHOR BRONZE C5210,T=0.35MM,
 6U" GOLD PLATING ON CONTACT AREA.

MECHANICAL:

DURABILITY : 750 CYCLES MIN.
 MATING FORCE : 23N MAX.
 OPERATING TEMPERATURE: -40°C~+85°C.
 STORAGE TEMPERATURE: -40°C~+85°C.
 ALL CRITICAL DIMENSIONS WITH "*"



TITLE: TAB-UP 1X1 10/100BASE	SIZE A4	UNITS MM[INCH]	GENERAL TOLERANCES UNLESS SPECIFIED		APPROVED BY: JP.Gong
PART NO.: DGUK311B075AA2A4DN	SACLE 1:1	REV A0	x±0.35	x°±3.0°	CHECKED BY: TW.XU
REMARK:	SHEET 1/4		.x±0.30	.x°±2.0°	DESIGN BY: ZG.Hu
			.xx±0.25	.xx°±1.5°	
			.xxx±0.10	.xxx°±1.0°	

东莞市美韩电子科技有限公司
 Dongguan Usakro Electronic Technology Co., Ltd.
 Tel : 0769-87869902
 http://www.usakro.com

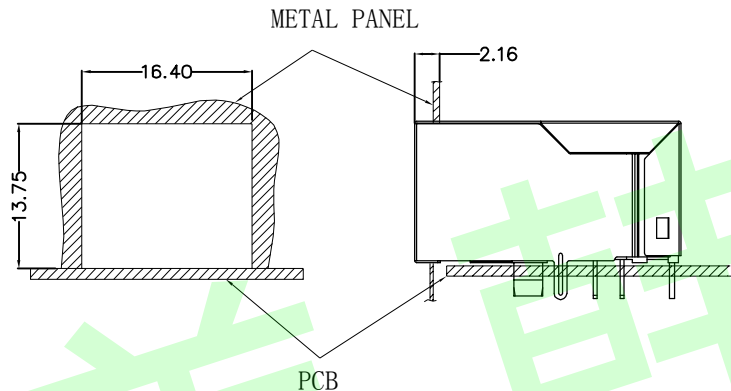
A

A

REACH & RoHS
COMPLIANT

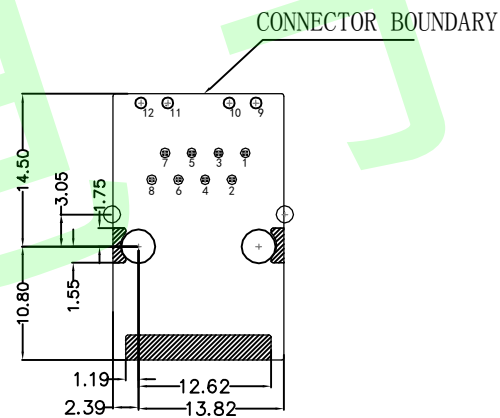
REV.	ECN / DESCRIPTION	BY	DATE
A0	NEW	ZG.Hu	2018.01.16

RECOMMENDED PANEL CUTOUT (REFERENCE ONLY):



UNIT: MM / INCH
TOLERANCES: ± 0.10 / 0.004
REFERENCE ONLY

KEEP-OUT AREA (COMPONENT SIDE VIEW):



PLUG-IN SIDE

UNIT: MM / INCH
TOLERANCES: ± 0.10 / 0.004

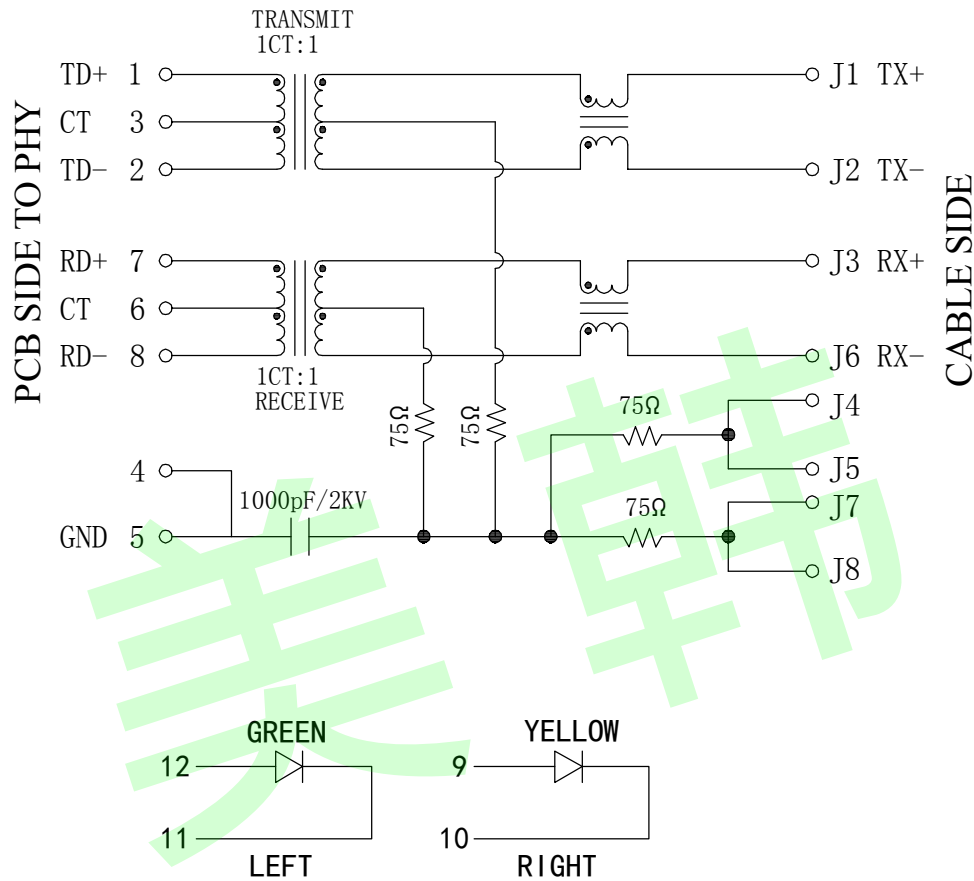


TITLE: TAB-UP 1X1 10/100BASE	SIZE A4	UNITS MM[INCH]	GENERAL TOLERANCES UNLESS SPECIFIED		APPROVED BY: JP.Gong
PART NO.: DGUK311B075AA2A4DN	SACLE 1:1	REV A0	$x \pm 0.35$	$x^\circ \pm 3.0^\circ$	CHECKED BY: TW.XU
REMARK:	SHEET 2/4		$.xx \pm 0.25$	$.xx^\circ \pm 1.5^\circ$	DESIGN BY: ZG.HU
			$.xxx \pm 0.10$	$.xxx^\circ \pm 1.0^\circ$	

东莞市美韩电子科技有限公司
Dongguan Usakro Electronic Technology Co., Ltd.
Tel : 0769-87869902 <http://www.usakro.com>

REACH & RoHS
COMPLIANT

REV.	ECN / DESCRIPTION	BY	DATE
A0	NEW	ZG.Hu	2018.01.16



Electrical:

- Turn ratio: 1~2: J1~J2=1CT:1CT(±2%).
7~8: J3~J6=1CT:1CT(±2%).
- OCL: 350uH Min. at 100KHz 100mV 8mA DC.
- Insertion Loss: -1.0 dB Max 1~100MHz.
- Return loss: -20dB Min 1~10MHz;
-16dB Min 10~30MHz;
-12dB Min 30~60MHz;
-10dB Min 60~80MHz.
- Cross talk: -40dB Min 1~30MHz;
-35dB Min 30~60MHz;
-30dB Min 60~100MHz;
- CMR: -30dB Min 1~100MHz;
- Hi-Pot: 1500V AC & 2250V DC
6S 1mA PRI TO SEC

LED Specification

Standard LED Color	LED Wavelength	Foward(A)	Foward(V)
Green	568nm	20mA	1.85-2.45V
Yellow	585nm	20mA	1.7-2.2V



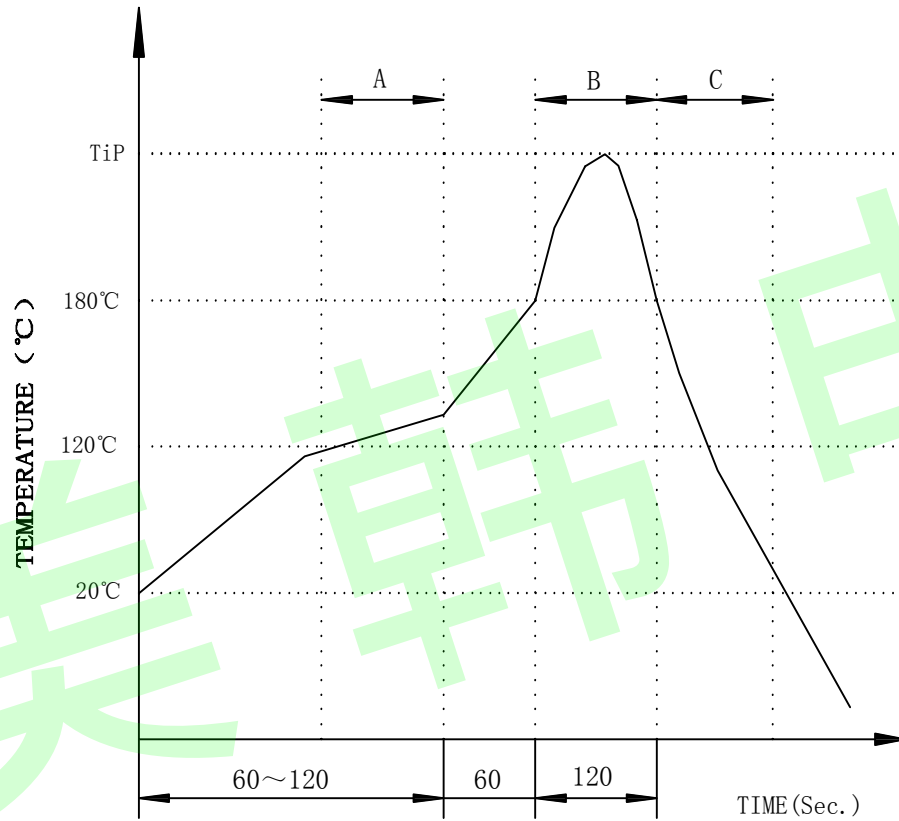
东莞市美韩电子科技有限公司
Dongguan Usakro Electronic Technology Co., Ltd
Tel : 0769-87869902 http://www.usakro.com

TITLE: TAB-UP 1X1 10/100BASE	SIZE A4	UNITS MM[INCH]	GENERAL TOLERANCES UNLESS SPECIFIED		APPROVED BY: JP.Gong
PART NO.: DGUK311B075AA2A4DN	SACLE 1:1	REV A0	x±0.35 .x±0.30	x°±3.0° .x°±2.0°	CHECKED BY: TW.XU
REMARK:	SHEET 3/4		.xx±0.25 .xxx±0.10	.xx°±1.5° .xxx°±1.0°	DESIGND BY: ZG.HU

REACH & RoHS
COMPLIANT

PROFILE OF WAVE SOLDER

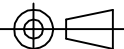
REV.	ECN / DESCRIPTION	BY	DATE
A0	NEW	ZG.Hu	2018.01.16



A.Preheating B.Soldering C.Gradual Cooling
 Tip temperature:260±5°C.
 Tip temperature time:5Sec Max.
 Tip melting point of Sn96.5/Ag3/Cu0.5:217°C.

Remarks: after wave soldering, the plastic positioning columns of the product which under the PCB will be slightly melted, but it won't affect its function.



TITLE: TAB-UP 1X1 10/100BASE PART NO.: DGUK311B075AA2A4DN REMARK:	SIZE A4	UNITS MM[INCH]	GENERAL TOLERANCES UNLESS SPECIFIED		APPROVED BY: JP.Gong
	SACLE 1:1	REV A0	$x \pm 0.35$ $.x \pm 0.30$	$x^\circ \pm 3.0^\circ$ $.x^\circ \pm 2.0^\circ$	CHECKED BY: TW.XU
	SHEET 4/4		$.xx \pm 0.25$ $.xxx \pm 0.10$	$.xx^\circ \pm 1.5^\circ$ $.xxx^\circ \pm 1.0^\circ$	DESIGND BY: ZG.HU

东莞市美韩电子科技有限公司
 Dongguan Usakro Electronic Technology Co., Ltd.
 Tel : 0769-87869902 <http://www.usakro.com>

