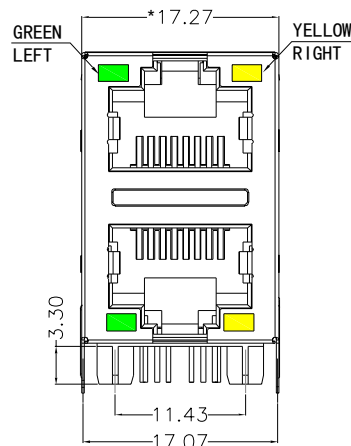
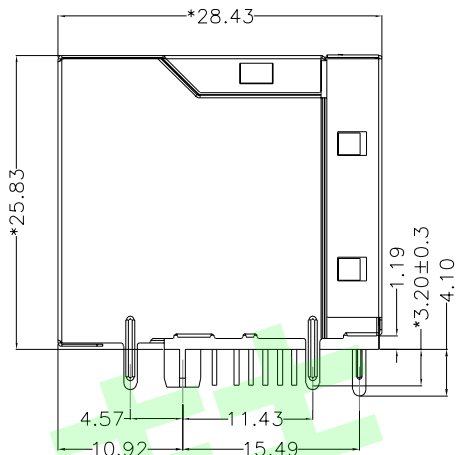


REACH & RoHS  
COMPLIANT

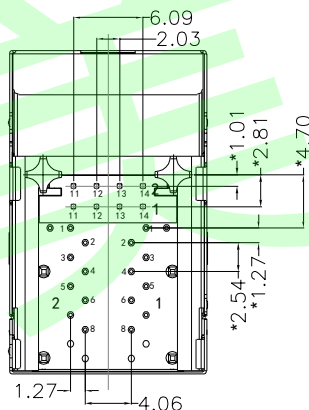
| REV. | ECN / DESCRIPTION | BY    | DATE      |
|------|-------------------|-------|-----------|
| A0   | NEW               | ZG.Hu | 2017.9.20 |



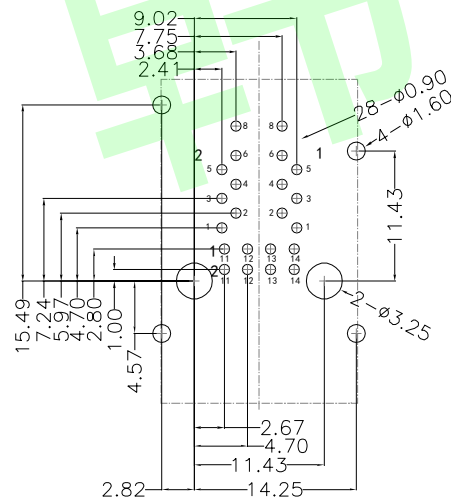
FRONT VIEW



RIGHT SIDE VIEW



BOTTOM VIEW



RECOMMENDED PCB LAYOUT  
VIEWED FROM COMPONENT SIDE

**MATERIAL:**

HOUSING: PA66,UL94V-0,BLACK.  
TERMINALS BRACKET: PBT,UL94V-0,BLACK.  
SHIELD: C2680,T=0.20MM,NICKEL PLATING ON ALL AREA.  
TERMINAL: PHOSPHOR BRONZE C5191,T=0.35MM,  
6U" GOLD PLATING ON CONTACT AREA.

**MECHANICAL:**

DURABILITY: 750 CYCLES MIN.  
MATING FORCE: 23N MAX.  
OPERATING TEMPERATURE: -40°C~+85°C.  
STORAGE TEMPERATURE: -40°C~+85°C.  
ALL CRITICAL DIMENSIONS WITH "\*"



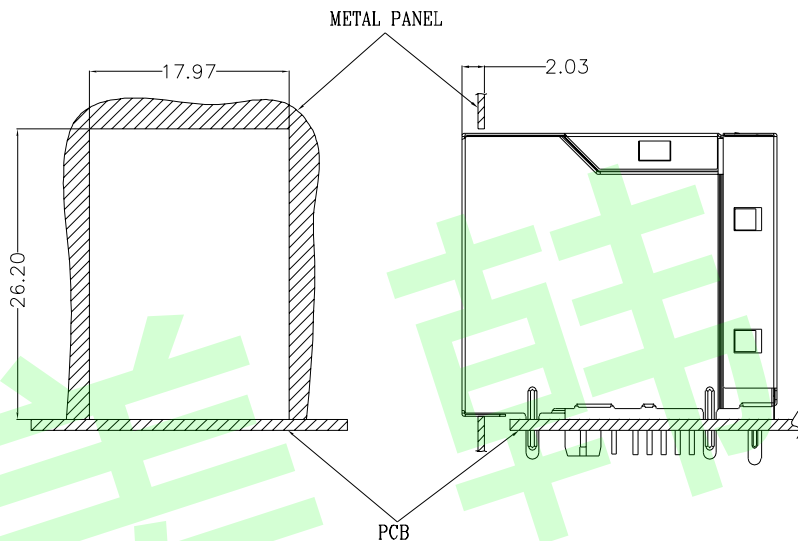
东莞市美韩电子科技有限公司  
Dongguan Usakro Electronic Technology Co., Ltd.  
Tel : 0769-87869902      http://www.usakro.com

|                                   |              |                   |  |            |                         |
|-----------------------------------|--------------|-------------------|--|------------|-------------------------|
| TITLE:<br>RJ45 2X1 100BASE        | SIZE<br>A4   | UNITS<br>MM[INCH] | GENERAL TOLERANCES<br>UNLESS SPECIFIED |            | APPROVED BY:<br>JP.Gong |
| PART NO.:<br>DGUK21B083AC2A2DQ057 | SCALE<br>1:1 | REV<br>A0         | x±0.35                                 | x°±3.0°    | CHECKED BY:<br>TW.Xu    |
|                                   |              |                   | .x±0.30                                | .x°±2.0°   |                         |
| REMARK:                           | SHEET<br>1/4 |                   | .xx±0.25                               | .xx°±1.5°  | DESIGND BY:<br>ZG.Hu    |
|                                   |              |                   | .xxx±0.10                              | .xxx°±1.0° |                         |

REACH & RoHS  
COMPLIANT

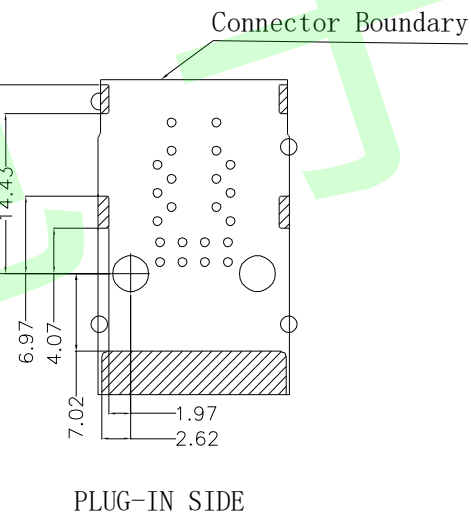
| REV. | ECN / DESCRIPTION | BY    | DATE      |
|------|-------------------|-------|-----------|
| A0   | NEW               | ZG.Hu | 2017.9.20 |

SUGGESTED PANEL OPENING:



UNIT: MM / INCH  
TOLERANCES: ±0.10 / 0.004

KEEP-OUT AREA (COMPONENT SIDE VIEW):



UNIT: MM / INCH  
TOLERANCES: ±0.10 / 0.004

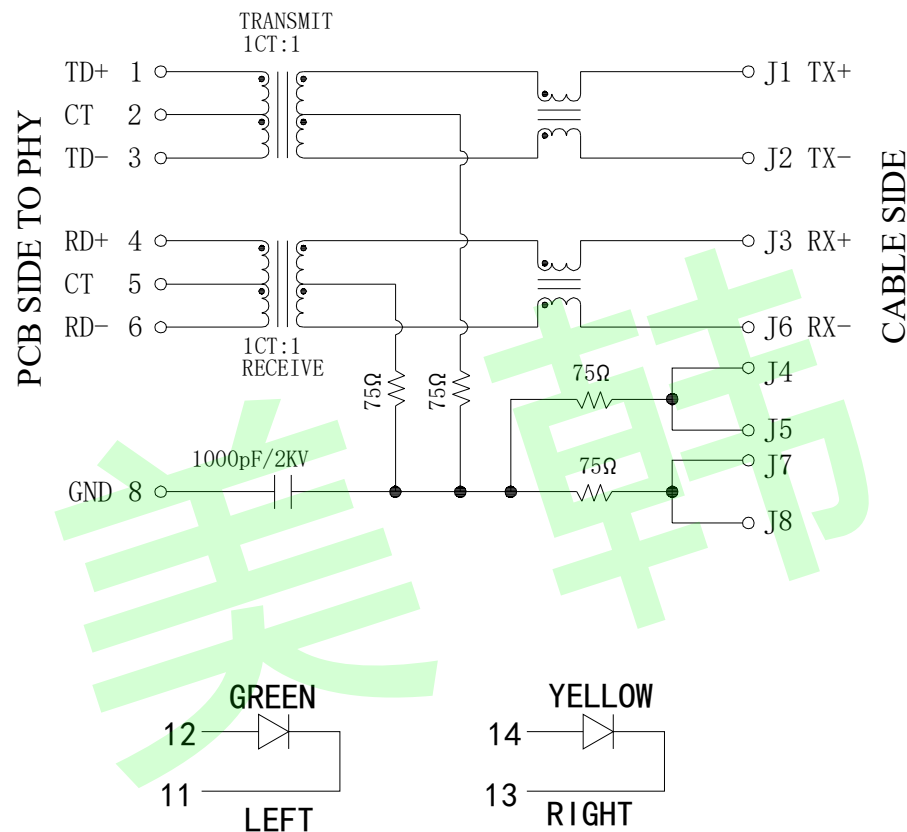


东莞市美韩电子科技有限公司  
Dongguan Usakro Electronic Technology Co., Ltd.  
Tel : 0769-87869902      http://www.usakro.com

|                                   |              |                   |  |                         |                         |
|-----------------------------------|--------------|-------------------|--|-------------------------|-------------------------|
| TITLE:<br>RJ45 2X1 100BASE        | SIZE<br>A4   | UNITS<br>MM[INCH] | GENERAL TOLERANCES<br>UNLESS SPECIFIED |                         | APPROVED BY:<br>JP.Gong |
| PART NO.:<br>DGUK21B083AC2A2DQ057 | SACLE<br>1:1 | REV<br>A0         | x±0.35<br>.x±0.30                      | x°±3.0°<br>.x°±2.0°     | CHECKED BY:<br>TW.Xu    |
| REMARK:                           | SHEET<br>2/4 |                   | .xx±0.25<br>.xxx±0.10                  | .xx°±1.5°<br>.xxx°±1.0° | DESIGND BY:<br>ZG.Hu    |

REACH & RoHS  
COMPLIANT

| REV. | ECN / DESCRIPTION | BY    | DATE      |
|------|-------------------|-------|-----------|
| A0   | NEW               | ZG.Hu | 2017.9.20 |



### Electrical:

1. Turn ratio: 1~3: J1~J2=1CT:1CT(±2%).  
4~6: J3~J6=1CT:1CT(±2%).
2. OCL: 350uH Min. at 100KHz 100mV 8mA DC.
3. Insertion Loss: -1.2 dB Max 1~100MHz.
4. Return loss: -16dB Min 1~30MHz;  
-12dB Min 30~60MHz;  
-10dB Min 60~80MHz.
5. Cross talk: -30dB Min 1~100MHz;
6. CMR: -30dB Min 1~100MHz;
7. Hi-Pot: 1500V AC & 2250V DC  
6S 1mA PRI TO SEC

### LED Specification

| Standard LED Color | LED Wavelength | Foward(A) | Foward(V) |
|--------------------|----------------|-----------|-----------|
| Green              | 565nm          | 20mA      | 2.2-2.4V  |
| Yellow             | 605nm          | 20mA      | 2.1-2.5V  |



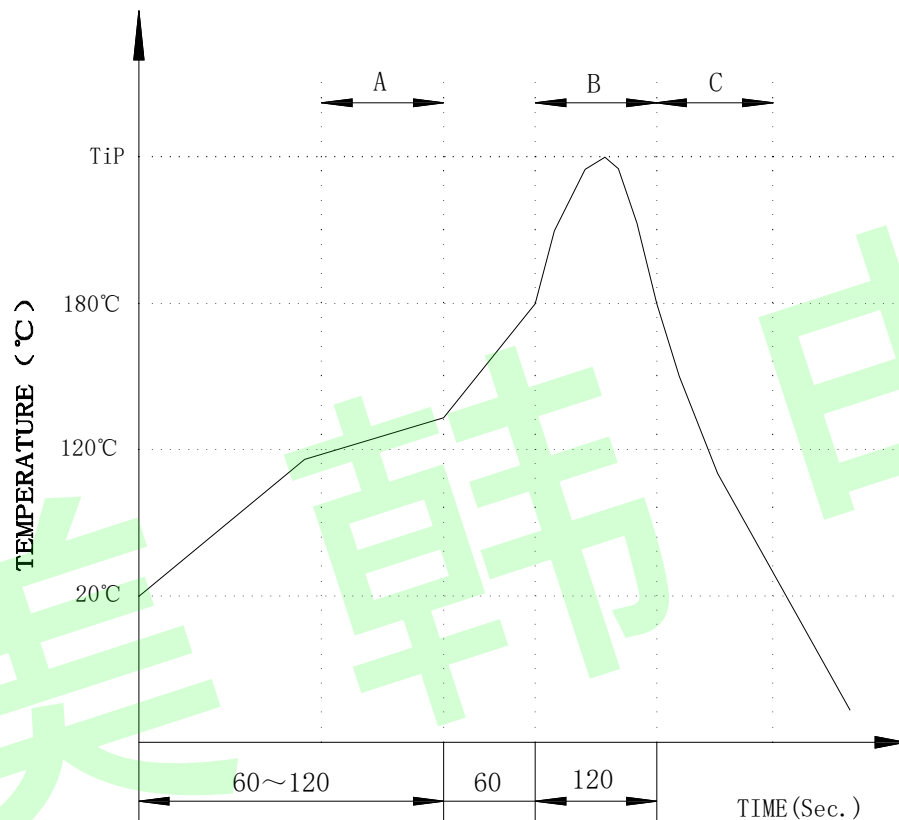
|                                   |              |                   |  |            |                         |
|-----------------------------------|--------------|-------------------|--|------------|-------------------------|
| TITLE:<br>RJ45 2X1 100BASE        | SIZE<br>A4   | UNITS<br>MM[INCH] | GENERAL TOLERANCES<br>UNLESS SPECIFIED |            | APPROVED BY:<br>JP.Gong |
| PART NO.:<br>DGUK21B083AC2A2DQ057 | SACLE<br>1:1 | REV<br>A0         | x±0.35                                 | x°±3.0°    | CHECKED BY:<br>TW.Xu    |
| REMARK:                           | SHEET<br>3/4 |                   | .xx±0.25                               | .xx°±1.5°  | DESIGND BY:<br>ZG.Hu    |
|                                   |              |                   | .xxx±0.10                              | .xxx°±1.0° |                         |

东莞市美韩电子科技有限公司  
Dongguan Usakro Electronic Technology Co., Ltd.  
Tel : 0769-87869902      http://www.usakro.com

REACH & RoHS  
COMPLIANT

# PROFILE OF WAVE SOLDER

| REV. | ECN / DESCRIPTION | BY    | DATE      |
|------|-------------------|-------|-----------|
| A0   | NEW               | ZG.Hu | 2017.9.20 |



A.Preheating B.Soldering C.Gradual Cooling  
 Tip temperature:260±5°C.  
 Tip temperature time:5Sec Max.  
 Tip melting point of Sn96.5/Ag3/Cu0.5:217°C.

Remarks: after wave soldering, the plastic positioning columns of the product which under the PCB will be slightly melted, but it won't affect its function.



|                                   |              |                   |  |            |                         |
|-----------------------------------|--------------|-------------------|--|------------|-------------------------|
| TITLE:<br>RJ45 2X1 100BASE        | SIZE<br>A4   | UNITS<br>MM[INCH] | GENERAL TOLERANCES<br>UNLESS SPECIFIED |            | APPROVED BY:<br>JP.Gong |
| PART NO.:<br>DGUK21B083AC2A2DQ057 | SACLE<br>1:1 | REV<br>A0         | x±0.35                                 | x°±3.0°    | CHECKED BY:<br>TW.Xu    |
| REMARK:                           | SHEET<br>4/4 |                   | .x±0.30                                | .x°±2.0°   | DESIGND BY:<br>ZG.Hu    |
|                                   |              |                   | .xx±0.25                               | .xx°±1.5°  |                         |
|                                   |              |                   | .xxx±0.10                              | .xxx°±1.0° |                         |

东莞市美韩电子科技有限公司  
 Dongguan Usakro Electronic Technology Co., Ltd.  
 Tel : 0769-87869902      http://www.usakro.com

