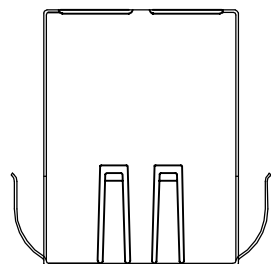
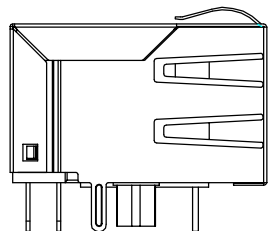


REACH & RoHS  
COMPLIANT

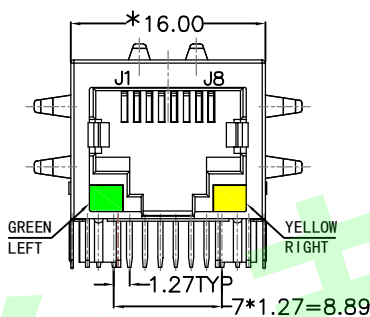
REV.	ECN / DESCRIPTION	BY	DATE
A0	NEW	ZG.Hu	2017.11.8



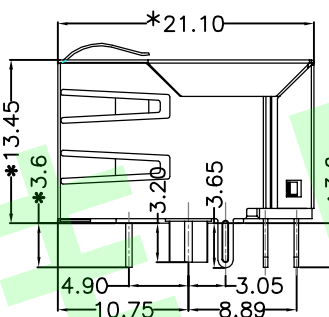
TOP VIEW



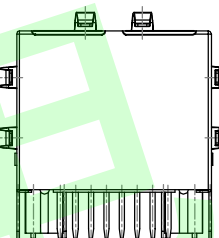
LEFT SIDE VIEW



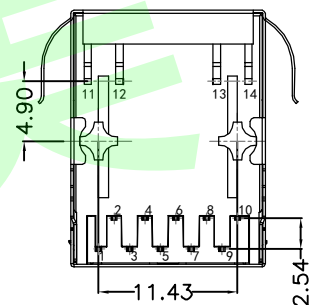
FRONT VIEW



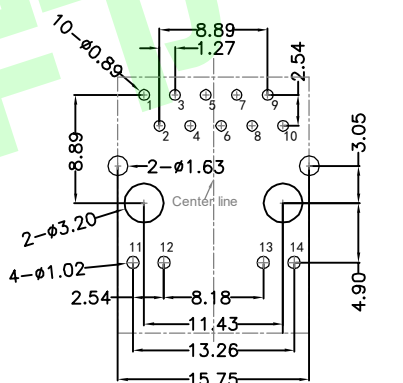
RIGHT SIDE VIEW



BACK VIEW



BOTTOM VIEW



RECOMMENDED PCB LAYOUT  
VIEWED FROM COMPONENT SIDE

**MATERIAL:**

HOUSING : PBT,UL94V-0,BLACK.  
 TERMINALS BRACKET: PBT,UL94V-0,BLACK.  
 SHIELD: C2680,T=0.20MM,NICKEL PLATING ON ALL AREA.  
 TERMINAL: PHOSPHOR BRONZE C5210,T=0.35MM,  
 6U" GOLD PLATING ON CONTACT AREA.

**MECHANICAL:**

DURABILITY : 750 CYCLES MIN.  
 MATING FORCE : 23N MAX.  
 OPERATING TEMPERATURE: -40°C~+85°C.  
 STORAGE TEMPERATURE: -40°C~+85°C.  
 ALL CRITICAL DIMENSIONS WITH "\*"



东莞市美韩电子科技有限公司

Dongguan Usakro Electronic Technology Co., Ltd.

Tel : 0769-87869902

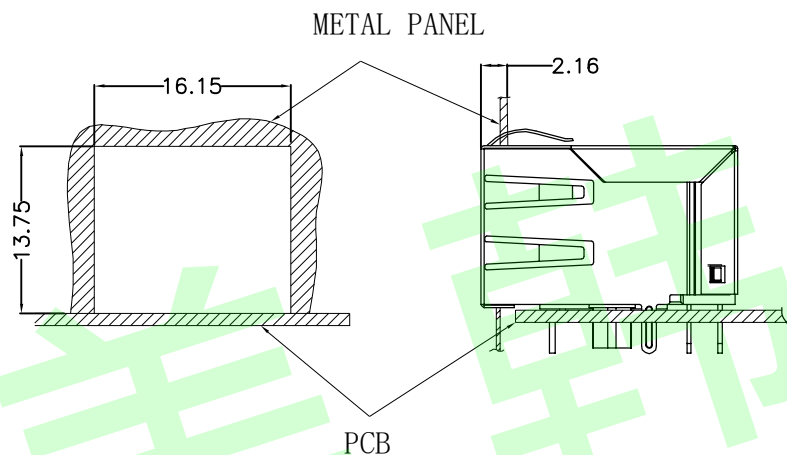
http://www.usakro.com

TITLE: TAB-DOWN 1X1 10/100/1000BASE	SIZE A4	UNITS MM[INCH]	GENERAL TOLERANCES UNLESS SPECIFIED		APPROVED BY: JP.Gong
PART NO.: DGUK111Q066EA2A1D	SACLE 1:1	REV A0	x±0.35	x°±3.0°	CHECKED BY: TW.Xu
REMARK:	SHEET 1/4		.x±0.30	.x°±2.0°	DESIGND BY: ZG.Hu
			.xx±0.25	.xx°±1.5°	
			.xxx±0.10	.xxx°±1.0°	

REACH & RoHS  
COMPLIANT

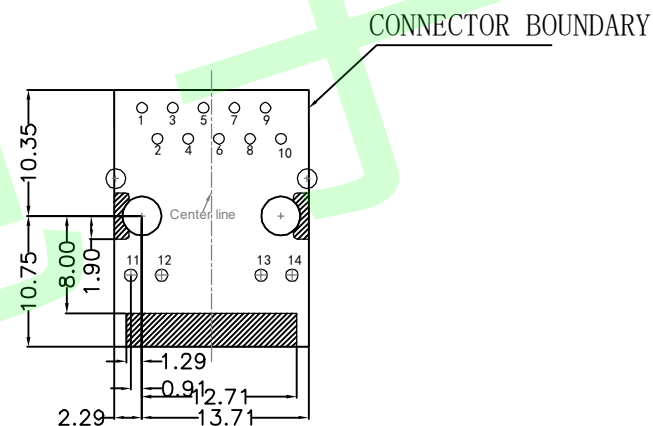
REV.	ECN / DESCRIPTION	BY	DATE
A0	NEW	ZG.Hu	2017.11.8

RECOMMENDED PANEL CUTOUT (REFERENCE ONLY):



UNIT: MM / INCH  
TOLERANCES:  $\pm 0.10$  / 0.004  
REFERENCE ONLY

KEEP-OUT AREA (COMPONENT SIDE VIEW):



PLUG-IN SIDE

UNIT: MM / INCH  
TOLERANCES:  $\pm 0.10$  / 0.004



东莞市美韩电子科技有限公司  
Dongguan Usakro Electronic Technology Co., Ltd.  
Tel : 0769-87869902    <http://www.usakro.com>

TITLE:  
TAB-DOWN 1X1 10/100/1000BASE  
PART NO.:  
DGUK111Q066EA2A1D  
REMARK:

SIZE  
A4  
SACLE  
1:1  
SHEET  
2/4

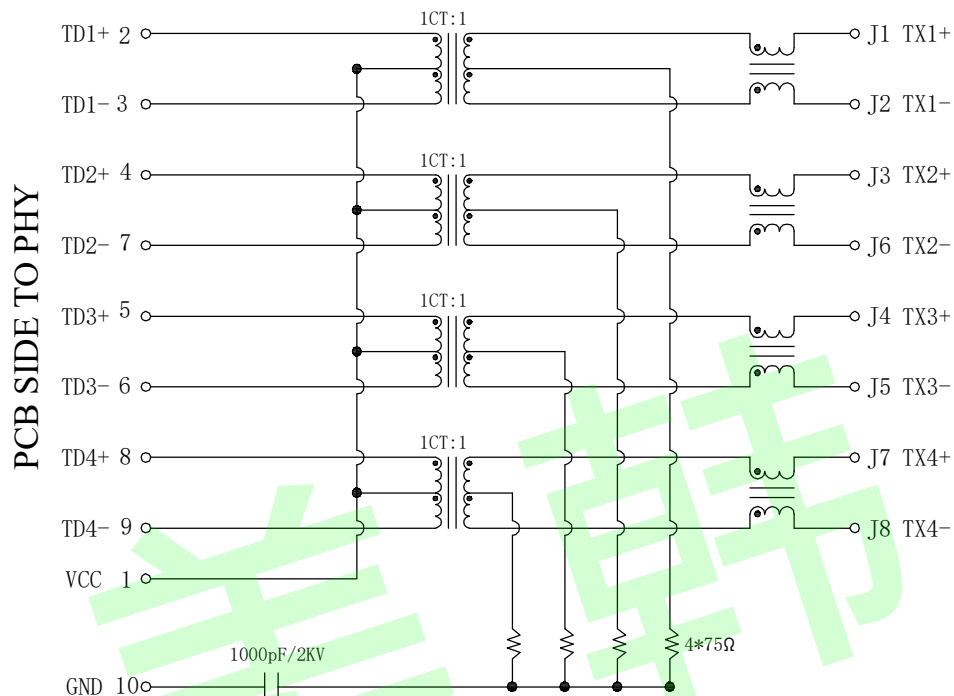
UNITS  
MM[INCH]  
REV  
A0

GENERAL TOLERANCES  
UNLESS SPECIFIED  
x $\pm$ 0.35  
x $\pm$ 0.30  
.xx $\pm$ 0.25  
.xxx $\pm$ 0.10  
x $^\circ$  $\pm$ 3.0 $^\circ$   
.x $^\circ$  $\pm$ 2.0 $^\circ$   
.xx $^\circ$  $\pm$ 1.5 $^\circ$   
.xxx $^\circ$  $\pm$ 1.0 $^\circ$

APPROVED BY:  
JP.Gong  
CHECKED BY:  
TW.Xu  
DESIGND BY:  
ZG.Hu

REACH & RoHS  
COMPLIANT

REV.	ECN / DESCRIPTION	BY	DATE
A0	NEW	ZG.Hu	2017.11.8

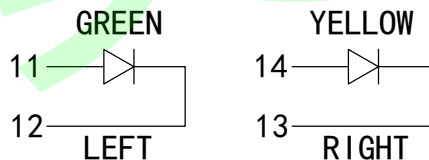


**Electrical:**

- Turn ratio: 2~3: J1~J2=1CT:1CT(±2%).  
4~7: J3~J6=1CT:1CT(±2%).  
5~6: J4~J5=1CT:1CT(±2%).  
8~9: J7~J8=1CT:1CT(±2%).
- OCL: 350uH Min. at 100KHz 100mV 8mA DC.
- Insertion Loss: -1.0 dB Max 1~100MHz.
- Return loss: -18dB Min 1~30MHz;  
-14dB Min 30~60MHz.  
-12dB Min 60~80MHz.  
-10dB Min 80~100MHz.
- Cross talk: -40dB Min 1~30MHz;  
-35dB Min 30~60MHz;  
-30dB Min 60~100MHz;
- CMR: -30dB Min 1~100MHz;
- Hi-Pot: 2250V DC 6S 1mA PRI TO SEC

PCB SIDE TO PHY

CABLE SIDE



**LED Specification**

Standard LED Color	LED Wavelength	Foward(A)	Foward(V)
Green	568nm	20mA	1.85-2.45V
Yellow	585nm	20mA	1.7-2.2V



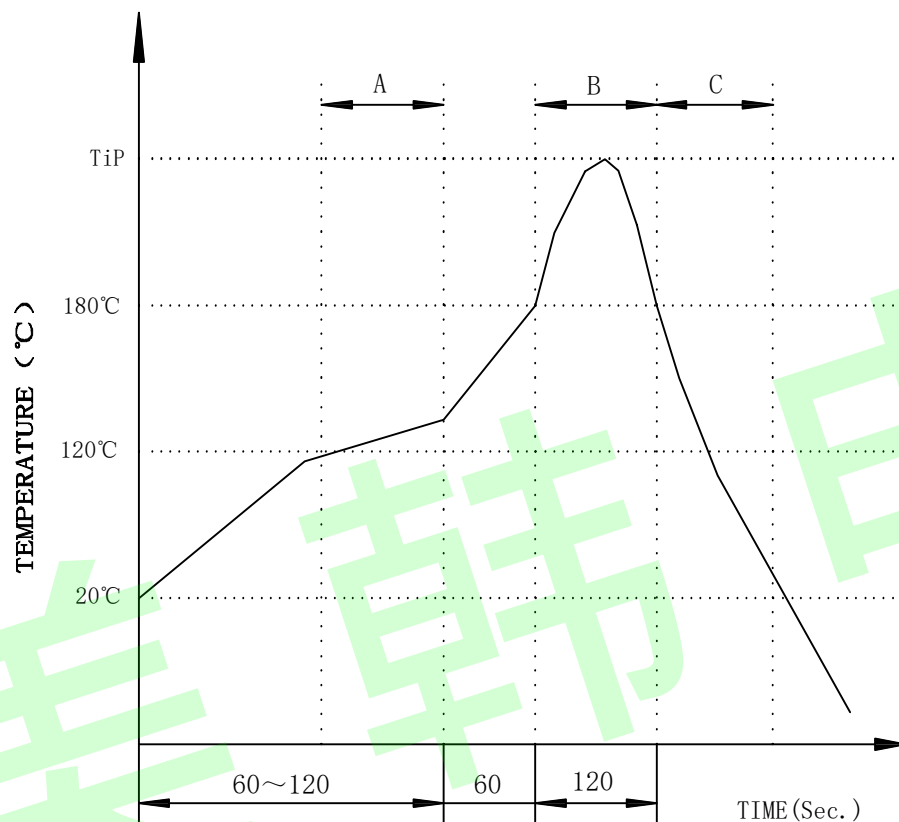
<b>TITLE:</b> TAB-DOWN 1X1 10/100/1000BASE  <b>PART NO.:</b> DGUK111Q066EA2A1D  <b>REMARK:</b>	<b>SIZE</b> A4	<b>UNITS</b> MM[INCH]	<b>GENERAL TOLERANCES</b> UNLESS SPECIFIED		<b>APPROVED BY:</b> JP.Gong
	<b>SACLE</b> 1:1	<b>REV</b> A0	$x \pm 0.35$ $.xx \pm 0.30$	$x^\circ \pm 3.0^\circ$ $.x^\circ \pm 2.0^\circ$	<b>CHECKED BY:</b> TW.Xu
	<b>SHEET</b> 3/4		$.xx \pm 0.25$ $.xxx \pm 0.10$	$.xx^\circ \pm 1.5^\circ$ $.xxx^\circ \pm 1.0^\circ$	<b>DESIGN BY:</b> ZG.Hu

东莞市美韩电子科技有限公司  
Dongguan Usakro Electronic Technology Co., Ltd.  
Tel : 0769-87869902    http://www.usakro.com

REACH & RoHS  
COMPLIANT

# PROFILE OF WAVE SOLDER

REV.	ECN / DESCRIPTION	BY	DATE
A0	NEW	ZG.Hu	2017.11.8



A.Preheating B.Soldering C.Gradual Cooling  
 Tip temperature:260±5°C.  
 Tip temperature time:5Sec Max.  
 Tip melting point of Sn96.5/Ag3/Cu0.5:217°C.

Remarks: after wave soldering, the plastic positioning columns of the product which under the PCB will be slightly melted, but it won't affect its function.



TITLE: TAB-DOWN 1X1 10/100/1000BASE	SIZE A4	UNITS MM[INCH]	GENERAL TOLERANCES UNLESS SPECIFIED		APPROVED BY: JP.Gong
PART NO.: DGUK111Q066EA2A1D	SACLE 1:1	REV A0	x±0.35 .x±0.30	x°±3.0° .x°±2.0°	CHECKED BY: TW.Xu
REMARK:	SHEET 4/4		.xx±0.25 .xxx±0.10	.xx°±1.5° .xxx°±1.0°	DESIGND BY: ZG.Hu

东莞市美韩电子科技有限公司  
 Dongguan Usakro Electronic Technology Co., Ltd.  
 Tel : 0769-87869902    http://www.usakro.com