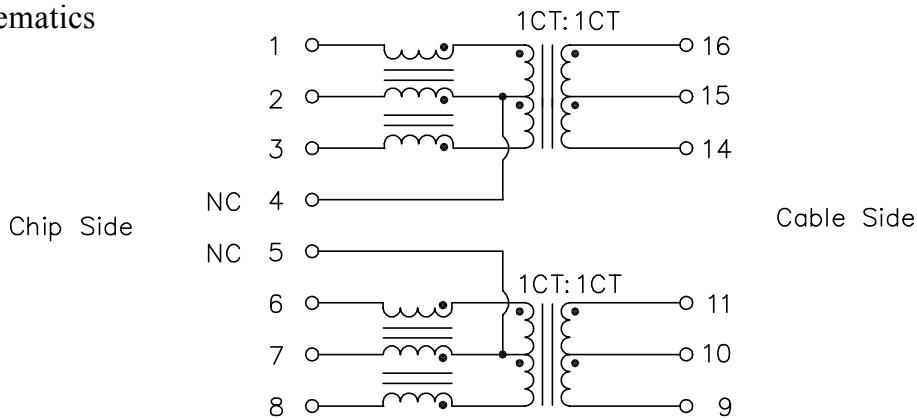


**HR641643E**

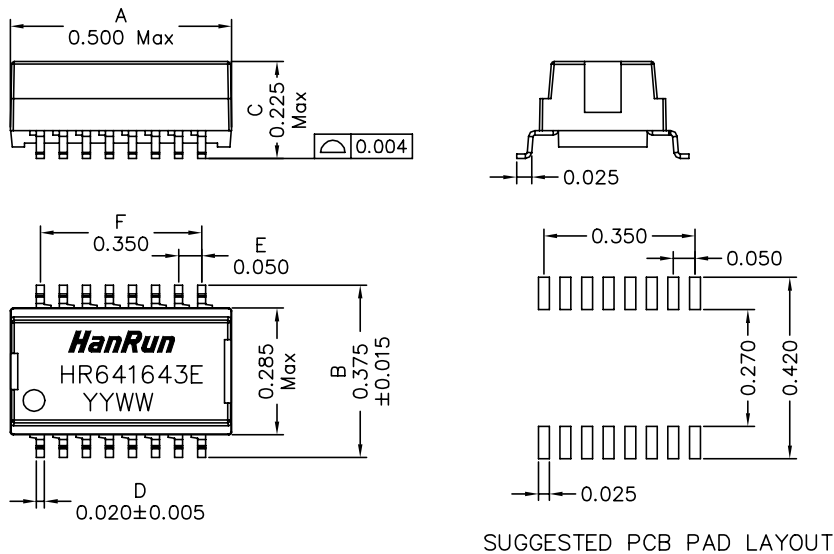
**Electrical Specification @25°C**

RoHS Compliant (PB Free)  
 Operating Temperature Range: -40°C ~ +85°C  
 Isolation: 1500Vrms 0.5mA 60sec (Primary to Secondary)  
 OCL: 350uH Minimum @100KHz 100mV with 8mADC  
 Insertion Loss: -1.0dB Maximum @1MHz ~ 100MHz  
 Return Loss: -18dB Minimum @1MHz ~ 30MHz / -13.5dB Minimum @30MHz ~ 60MHz  
                   -12dB Minimum @60MHz ~ 80MHz / -10dB Minimum @80MHz ~ 100MHz  
 Common Mode Rejection: -30dB Minimum @1MHz ~ 100MHz  
 Crosstalk: -30dB Minimum @1MHz ~ 100MHz  
 Designed To Support 57VDC, 600mA per centre tap (30W when using 2 centre taps)

**Schematics**



**Mechanical Dimensions**



Dimensions in inches

Unless otherwise specified, Tolerance: .xxx ±0.010

REV.: 00