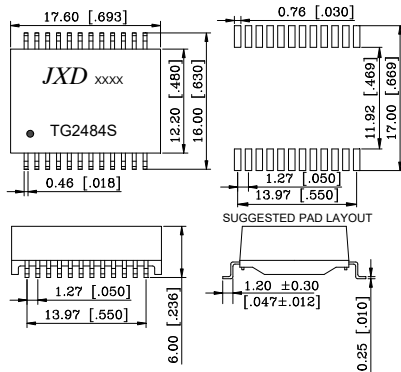


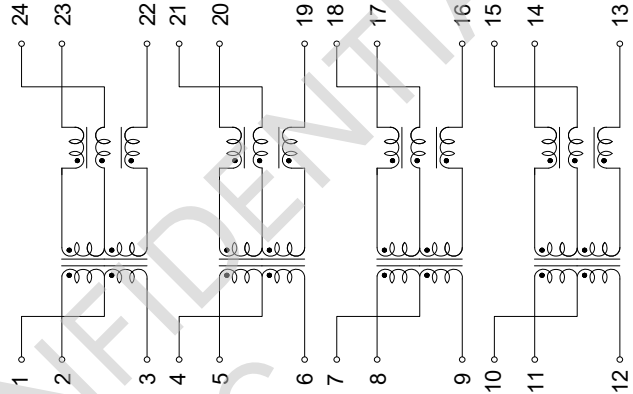
1. Designed for long haul 10G Single Port Transformer Module
2. Supports four pairs of category 5 UTP cable, Cable interface for isolation and low common mode emissions.
3. Low profile Surface Mount Packaging designed for Hi-Temp Reflow Process
4. Compliant with IEEE 802.3an standard for 10G Base-Z, Designed to support 1:1 Turns Ratio Transceivers.



DIMENSIONS & SCHEMATICS



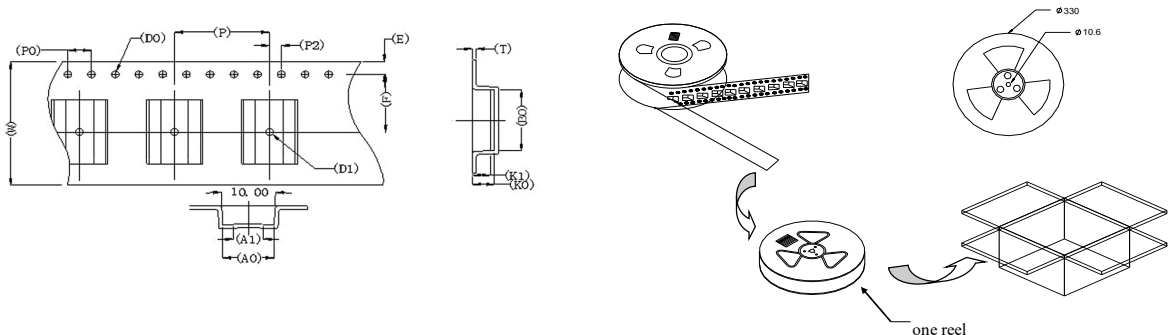
1. Unit: mm[inch]
2. Unless otherwise specified, all tolerances are $\pm 0.25[.01]$



TECHNICAL SPECIFICATIONS

OCL :	120 μ H Min. @ 100 KHz, 100mV with 8mA DC Bias
Leakage Inductance:	0.35 μ H Max. @ 100KHz, 0.1V
Cw/w:	35 pF Max. @ 100KHz, 0.1V
DCR:	1.00 Ω Max; Secondary: 1.2 Ω Max
Turns Ratio($\pm 5\%$):	1CT:1(TX), 1CT:1(RX)
Polarity:	1-24, 4-21, 7-18, 10-15 In-Phase
Insertion Loss:	-1.5 dB Max. @ 1-250MHz -3.0dB Max. @ 250-500MHz
Return Loss:	-16 dB Min. @ 1-40MHz -16 + 10log(f/40)dB Min@40-500MHz
Cross Talk:	-35dB Min.@ 1-100 MHz -30 dB Min.@ 100-500 MHz
Common Mode Rejection :	-30dB Min@1-250MHz -20dB Min@250-500MHz
Isolation HI-POT:	3000Vrms 1mA 2S
Operating Temperature range:	-40 C ~ +85 C
Storage temperature range:	-25 C ~ +125 C

PACKING SPECIFICATION



1. units/reel:350PCS
- 2 reel/carton:6PCS
- 3.units/carton :2100PCS