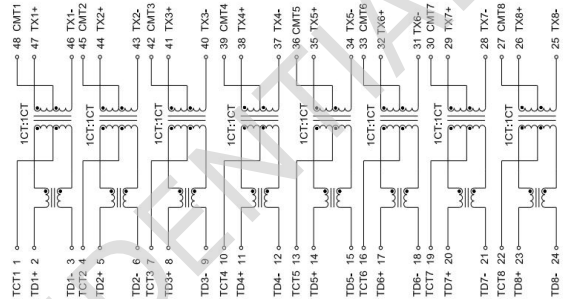
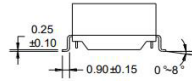
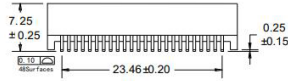
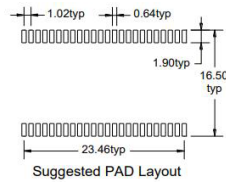
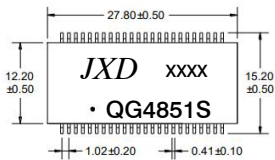


1. Designed for long haul 2.5G Single Port Transformer Module
2. Supports four pairs of category 5 UTP cable, Cable interface for isolation and low common mode emissions.
3. Low profile Surface Mount Packaging designed for Hi-Temp Reflow Process
4. Compliant with IEEE 802.3bz standard for 2.5G Base-Z, Designed to support 1:1 Turns Ratio Transceivers.
5. DC Line Current : 720mA Max @ 57V



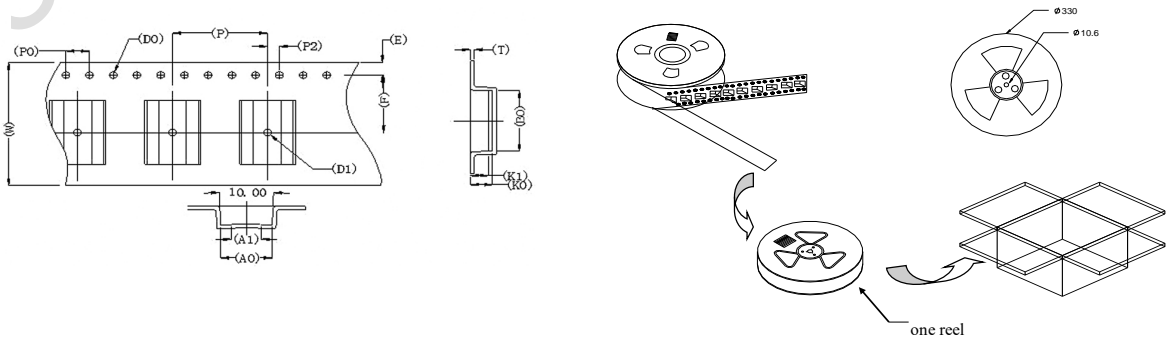
DIMENSIONS & SCHEMATICS



TECHNICAL SPECIFICATIONS

OCL :	200 μ H Min. @ 100 KHz, 100mV with 8mA DC Bias
Leakage Inductance:	0.50 μ H Max. @ 100KHz, 0.1V
Cw/w:	30pF Max. @ 100KHz, 0.1V
DCR:	1.20 Ω Max; Secondary: 1.20 Ω Max
Turns Ratio(\pm 5%):	1CT:1 (TX), 1CT:1 (RX)
Polarity:	1-48,4-45,7-42,10-39,13-36,16-33,19-30,22-27 In-Phase
Insertion Loss:	-1.0 dB Max. @ 1-100MHz -1.5dB Max. @ 100-125MHz
Return Loss:	-16dB Min. @ 1-40MHz -14.25dB Min. @ 4-60 MHz -12dB Min. @ 16-100 MHz
Cross Talk:	-11.05dB Min. @ 100-125 MHz -30dB Min. @ 1-125MHz
Common Mode Rejection :	-25dB Min. @ 1-125MHz
Isolation HI-POT:	1500Vrms 1mA 60S 1650VAC 1mA 6S
Operating Temperature range:	-40°C ~ +85°C
Storage temperature range:	-25°C ~ +125°C

PACKING SPECIFICATION



1. units/reel:300PCS
- 2 reel/carton:5PCS
- 3.units/carton :1500PCS