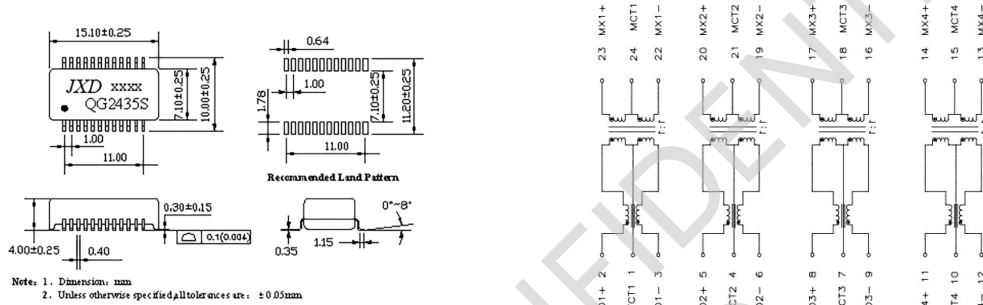


1. Designed for long haul 2.5G Single Port Transformer Module
2. Supports four pairs of category 5 UTP cable,Cable interface for isolation and low common mode emissions.
- 3 . Low profile Surface Mount Packaging designed for Hi-Temp Reflow Process
4. Compliant with IEEE 802.3bz standard for 2.5G Base-Z,Designed to support 1:1 Turns Ratio Transceivers.
5. DC Line Current : 600mA Max @ 57V



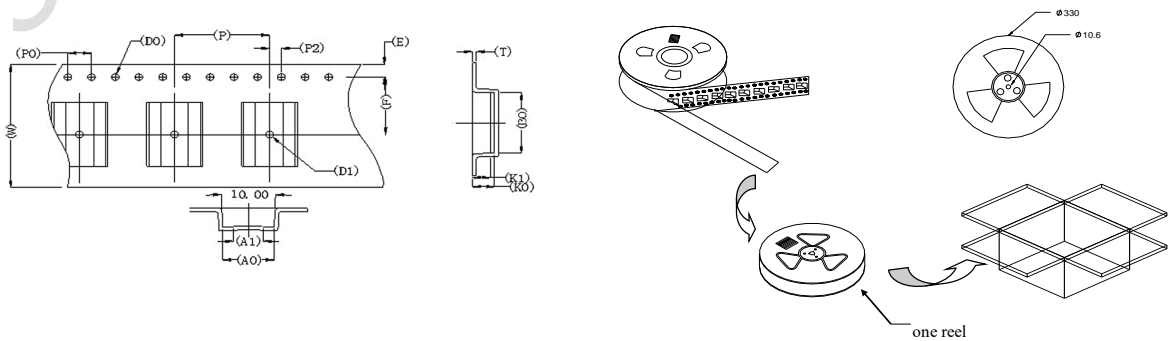
DIMENSIONS & SCHEMATICS



TECHNICAL SPECIFICATIONS

OCL :	180 μ H Min. @ 100 KHz, 100mV with 8mA DC Bias
Leakage Inductance:	0.5 μ H Max. @ 100KHz, 0.2V
Cw/w:	28 pF Max. @ 100KHz, 0.2V
DCR:	1.00 Ω Max
Turns Ratio(±5%):	1CT:1(TX), 1CT:1(RX)
Polarity:	2-23, 5-20, 8-17, 11-14 In-Phase
Insertion Loss:	-1.0 dB Max. @ 1-125MHz
Return Loss:	-20 dB Min. @ 1-40MHz
	-20 + 15*Log10(f/40) dB Min. @ 40-200 MHz
Cross Talk:	-30 dB Min.@ 1-125 MHz
Common Mode Rejection :	-25 dB Min.@ 1-200 MHz
Isolation HI-POT:	1500Vrms 1mA 1Second
Operating Temperature range:	-40°C ~ +85°C
Storage temperature range:	-25°C ~ +125°C

PACKING SPECIFICATION



1. units/reel:850PCS
- 2 reel/carton:5PCS
- 3.units/carton :4250PCS