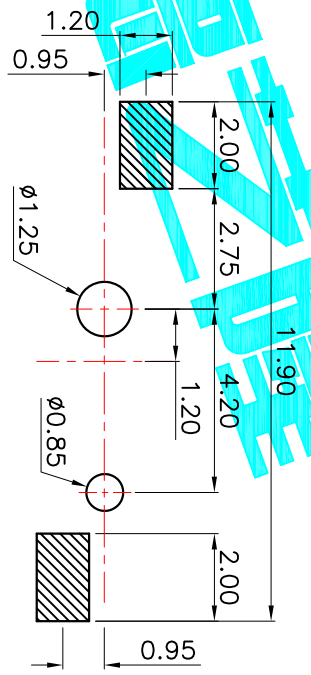
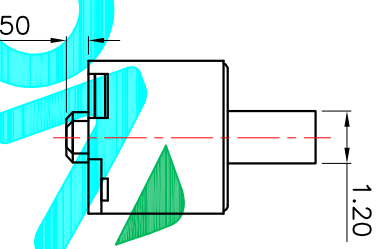
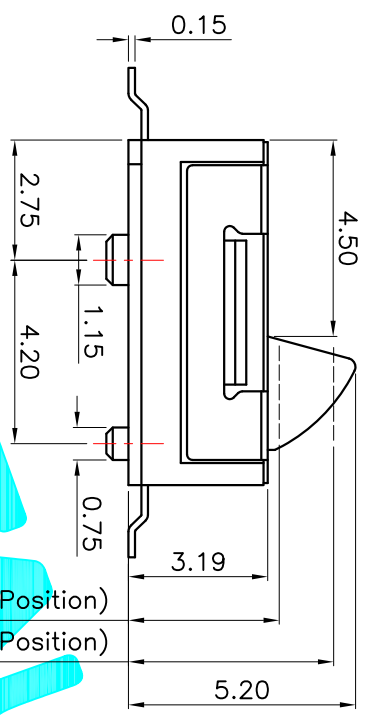
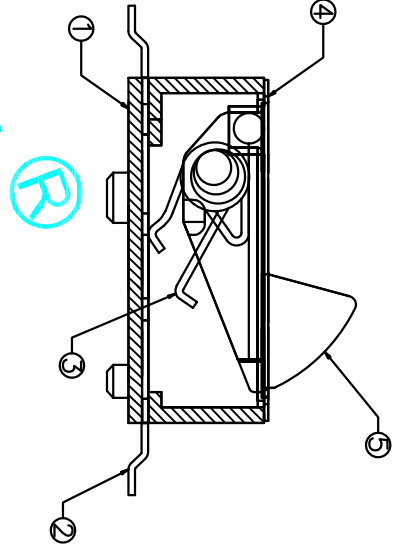


Circuit Diagram



PCB Layout(Pattern side)

1. Rating : DC 30V 0.1A
2. Contact Resistance:  $\leq 500m\Omega$
3. Insulation Resistance:  $\geq 100m\Omega$  DC500V
4. Operating Temperature Range:  $-25^{\circ}C + 80^{\circ}C$
5. Ambient Humidity Used:  $\leq 85\%RH$
6. Operating Force :50gf Max.
7. Life : 100,000 Cycles

ITEM	PART NAME	QTY.	MATERIAL	FINISHING
⑤	Knob	1	NYLON	Black
④	Cover	1	SUS	ct
③	Contact Spring	1	PhosphorBronze	Ag Plated
②	Terminal	4	PhosphorBronze	Ag Plated
①	Base	1	LCP	Black

APPROVALS		DATE	TITLE:	
DRAWN	G.M.Chen	2015/6/10	ELECTRONICS CO.,LTD	
CHECKED			DETECTOR SWITCHES	
APPROVALS			PART NO.	TK-2250-S

ECN NO.	REV.	DATE.	DESCRIPTION.	CHANGE.	CHECK.	APPRO.	TOLERANCES ARE	ANGLE	UNIT:	SCALE:	SHEET	PROJ.
	A		NEW				30 <sup>+0.15</sup> 10 <sup>+0.20</sup> 5 <sup>+0.15</sup>	$\pm 2^{\circ}$	mm	1:1	1 OF 1	

