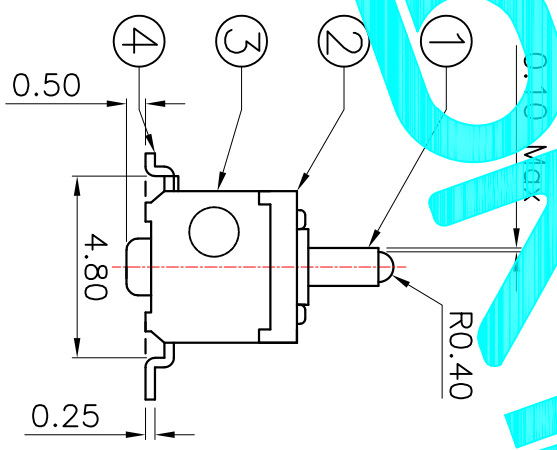
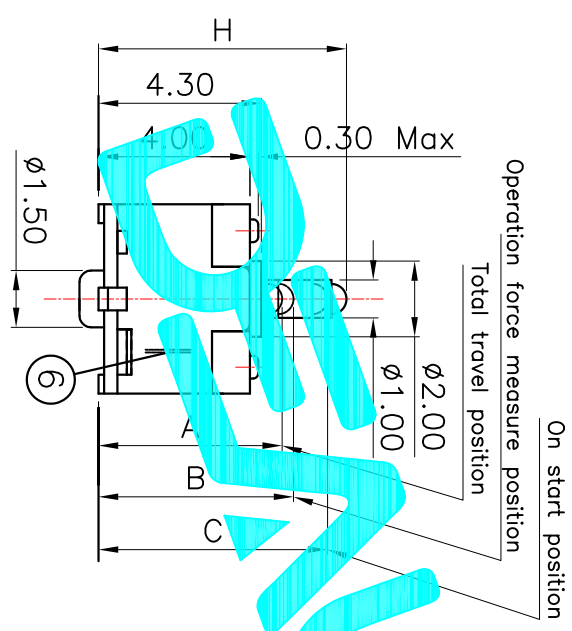
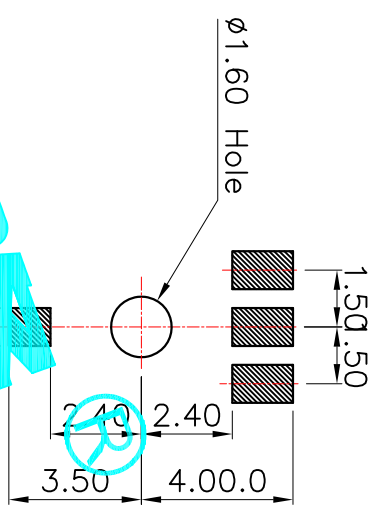


CIRCUIT DIAGRAM



NOTE:  
Operating Force: 30±10gf

ITEM	PART NAME	QTY	MATERIAL	FINISHING
⑥	Spring	1	SUS#0.17	Ag Plated
⑤	Contact Spring	1	Phosphor Bronze	Ag Plated
④	Terminal	4	Phosphor Bronze	Ag Plated
③	Base	1	PA46	Black
②	Cover	1	PA46	Black
①	Slider	1	PA46	Black

APPROVALS		DATE	PART NO.		SCALE	SHEET
DRAWN	G.M.Chen	2015/7/17	TK-1600-S		1:1	1 OF 1
CHECKED			ELECTRONICS CO.,LTD			
APPROVALS			DETECTOR SWITCHES			
TOLERANCES ARE						
	30 <sup>±0.15</sup>	±0.30	ANGLE	UNIT: mm	SCALE: 1:1	SHEET 1 OF 1
	10 <sup>±0.10</sup>	±0.20				
	5 <sup>±0.10</sup>	±0.15	±2°	DRAWING NO.		PROJ.
ECN NO.	REV.	DATE.	DESCRIPTION.			
	A		NEW			