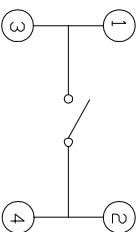
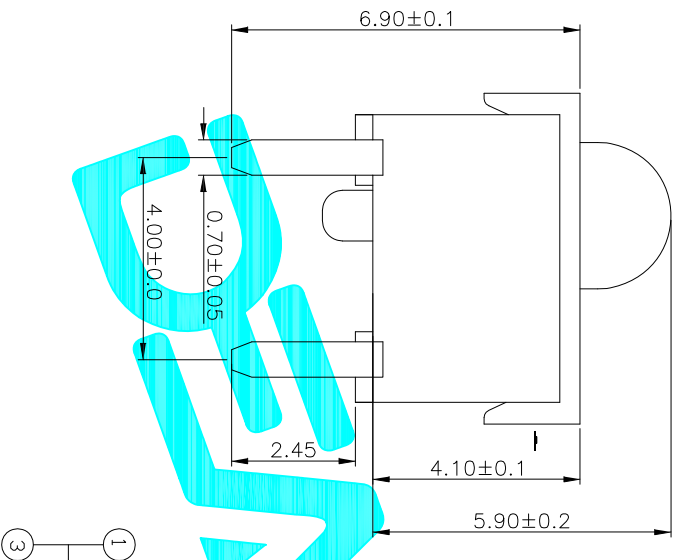
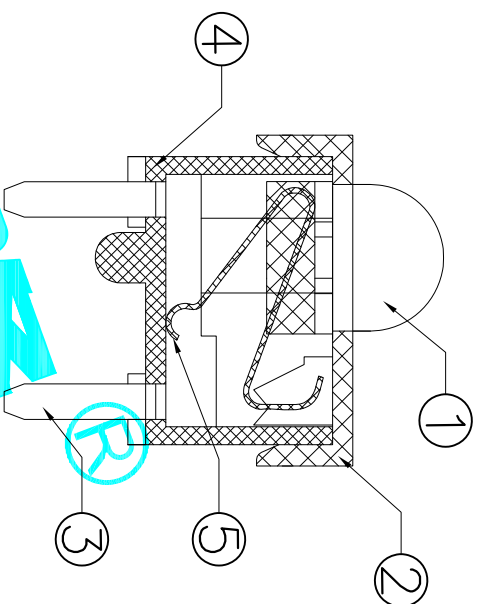
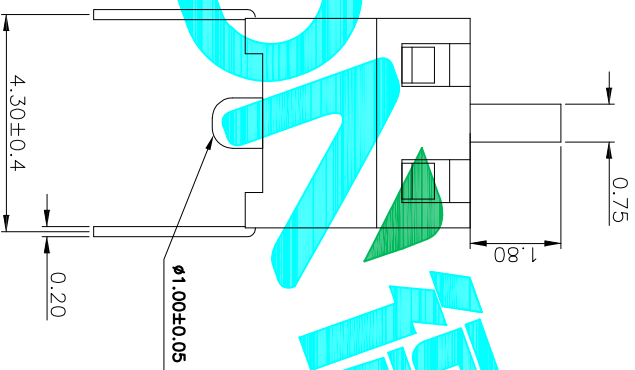


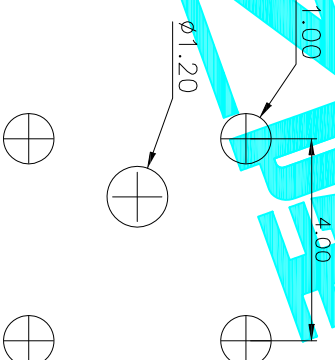
NOTE:
 Rating: DC12V 0.1A
 Operating Force: 40±10gf
 Life: 50,000 Cycles
 Travel: 0.5±0.2mm
 MAX Travel:1.8±0.2mm



Circuit Diagram



PCB Layout(Pattern side)



ITEM	PART NAME	QTY.	MATERIAL	FINISHING
⑤	Center Spring	1	Phosphor Bronze	Ag Plated
④	Base	1	PPA	Black
③	Terminal	4	Phosphor Bronze	Ag Plated
②	Cover	1	PA46	Natural
①	Knob	1	PA46	Black

APPROVALS		DATE	PART NO.		SCALE:	SHEET
DRAWN	G.M.Chen	2015/5/22	TK-1100-A		1:1	1 OF 1
CHECKED						
APPROVALS						
TOLERANCES ARE		30 ^{±0.15}	±0.30	ANGLE		
		10 ^{±0.10}	±0.20	UNIT: mm		
		5 ^{±0.10}	±0.15	DRAWING NO.		
		~ 5	±0.10			
ECN NO.	REV.	DATE.	DESCRIPTION.	CHANGE.	CHECK.	APPRO.
	A		NEW			



DETECTOR SWITCHES