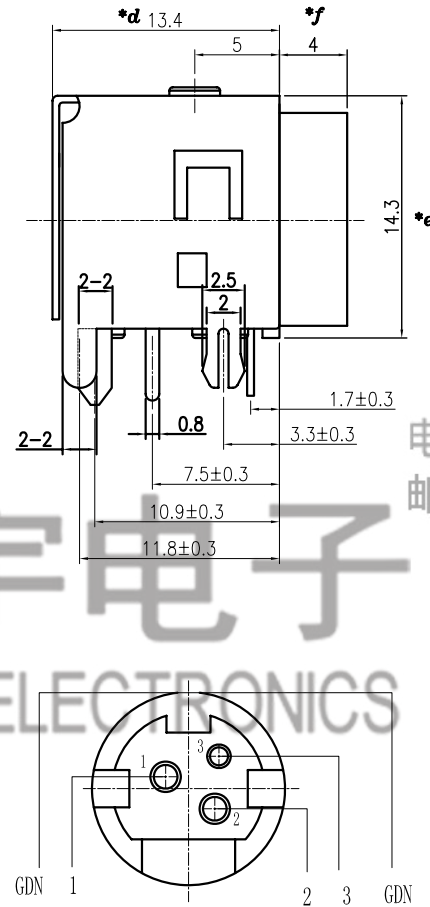


PCB板安装孔图



电路图

电话 : 0769-82310511-867
 邮箱 : hooya89@hooya.hk
 V : hooya89

皓宇电子
 HOOYA ELECTRONICS

NO.	PART NAME	MATERIAL	QTY	FINISHING	TOLERANCE UNLESS SPECIFIED		DATE		REVISIONS		BY	APPD
7	包圆	BRASS	1	Cu/Sn-PLATED	UP TO 5mm: ±0.1	ANGULAR	A1	2022.10.10	更新图纸		WM	
6	外壳	SPCC/BRASS	1	Cu/Sn-PLATED	ABOVE 5mm: ±0.2	±1°	NO					
5	右长针	BRASS	1	Cu/Sn-PLATED	TITLE: DIN SOCKET		UNIT: MM	ROHS	DWN			
4	左短针	BRASS	1	Cu/Sn-PLATED	MODEL: DIN-326		SCALE: 1:1	COMPLIANT	CHK'D			
3	弯针	BRASS	1	Cu/Sn-PLATED	DONGGUANG HAOYU ELECTRONICS CO., LTD		APPD					
2	后盖	PBT	1		东莞市弘皓电子有限公司		PRO.AGL:		☞	☉	REV: A1	
1	底座	PBT	1									