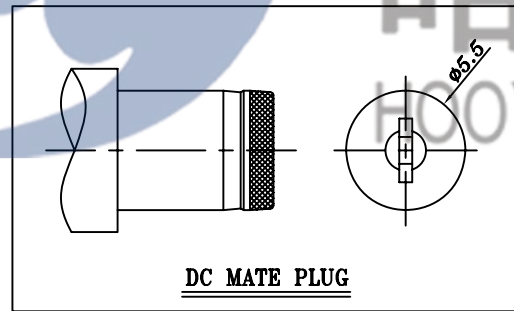
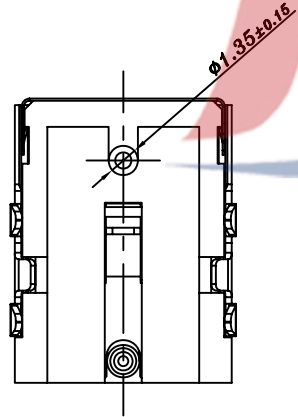
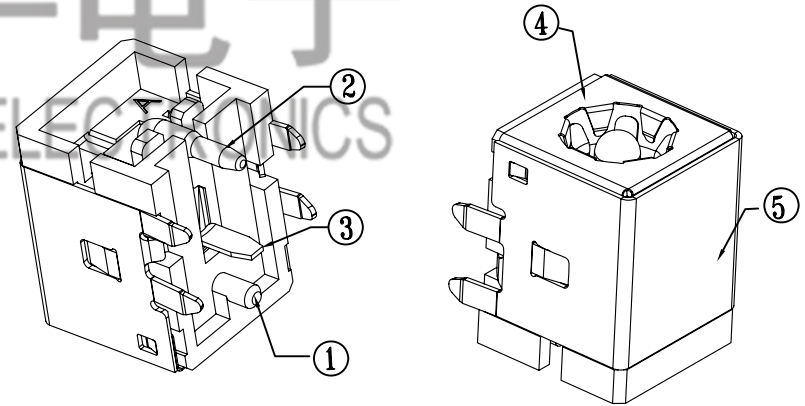


PCB LAYOUT

电话: 0769-82310511-867  
 邮箱: hooya89@hooya.hk  
 V: hooya89



PIN	Ø2.0	Ø2.5
APPD.		



				TOLERANCE UNLESS SPECIFIED							
				UP TO 5mm: ±0.1	ANGULAR ±1°	A2	2018.5.7	取消前盖电镀			PWJ
				ABOVE 5mm: ±0.2		A1	2016.3.17	图纸更新			Lan
						NO	DATE	REVISIONS		BY	APPD
5	COAT	PHOSPHOR BRONZE	1	Ni-PLATED	TITLE: DC JACK		UNIT : MM	ROHS COMPLIANT	DWN		
4	SHIELD PLATE	STAINLESS STEEL	1	2	MODEL: DC-528 2.5-AU		SCALE: 1:1	CHK'D			
3	SPRING PIECE	PHOSPHOR BRONZE	1	Au/Ag-PLATED	HAOYU(HONGKONG)LIMITED 皓宇(香港)有限公司		APPD				
2	PIN	ZN ALLOY	1	Au/Ni-PLATED			PRO.AGL:		REV: A2		
1	HOUSING	PA9T	1								
NO.	PART	NAME	MATERIAL	QTY	FINISHING						