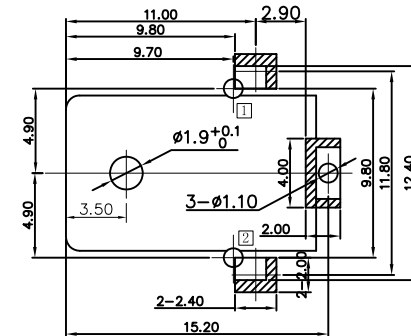
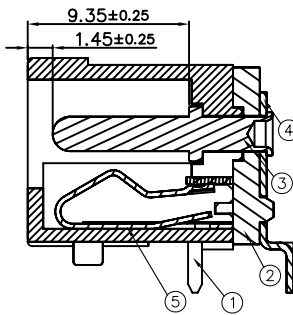
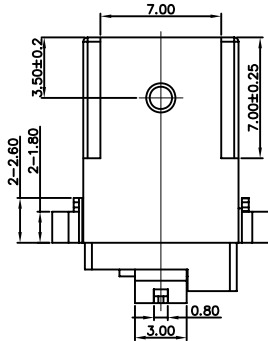
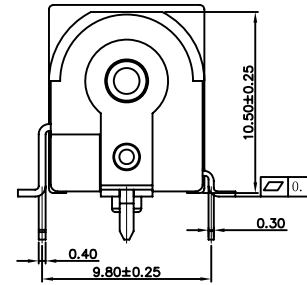
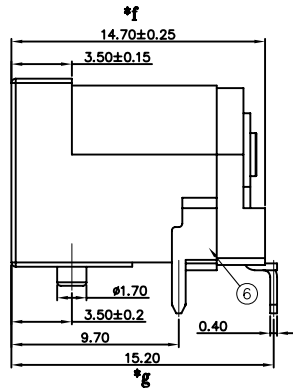
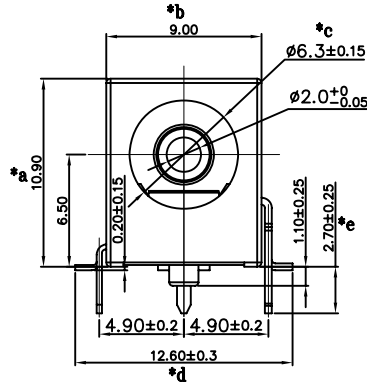
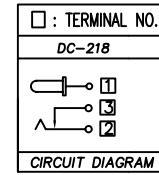
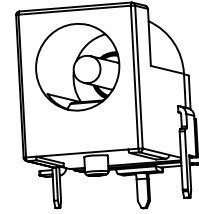
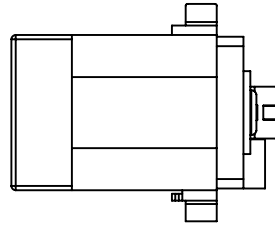
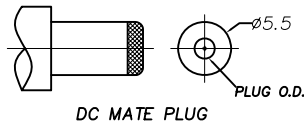


# HAOYU



RECOMMENDED PCB LAYOUT (TOP VIEW)  
TOLERANCE: ±0.05mm

|     |                     |                                     |          | TOLERANCE<br>UNLESS SPECIFIED |           |   |      |            |           |          |      |
|-----|---------------------|-------------------------------------|----------|-------------------------------|-----------|---|------|------------|-----------|----------|------|
|     |                     |                                     |          | UP TO 5mm: ±0.1               | ANGULAR   |   |      |            |           |          |      |
|     |                     |                                     |          | ABOVE 5mm: ±0.2               | ±1°       | NO  | DATE | REVISIONS  |           | BY       | APPD |
| 6   | SHUNT TERMINAL      | <input checked="" type="checkbox"/> | BRASS    | 1                             | Sn PLATED | TITLE:DC JACK                               |      | UNIT : MM  | ROHS      | DWN      |      |
| 5   | TIP SPRING          | <input checked="" type="checkbox"/> | PBS      | 1                             | Sn PLATED | MODEL: DC-218 2.0                           |      | SCALE: 5:1 | COMPLIANT | CHK'D    |      |
| 4   | CONTER PIN TERMINAL | <input checked="" type="checkbox"/> | BRASS    | 1                             | Sn PLATED | <b>HAOYU(HONGKONG)LIMITED</b><br>皓宇(香港)有限公司 |      | APPD       |           | PRO.AGL: |      |
| 3   | CONTER PIN          | <input checked="" type="checkbox"/> | BRASS    | 1                             | Ni PLATED |   |      |            |           |          |      |
| 2   | COVER               |                                     | PA66     | 1                             | BLACK     |   |      |            |           |          |      |
| 1   | HOUSING             |                                     | PA66     | 1                             | BLACK     |   |      |            |           |          |      |
| NO. | PART NAME           |                                     | MATERIAL | QTY                           | FINISHING |   |      |            |           | REV :A0  |      |