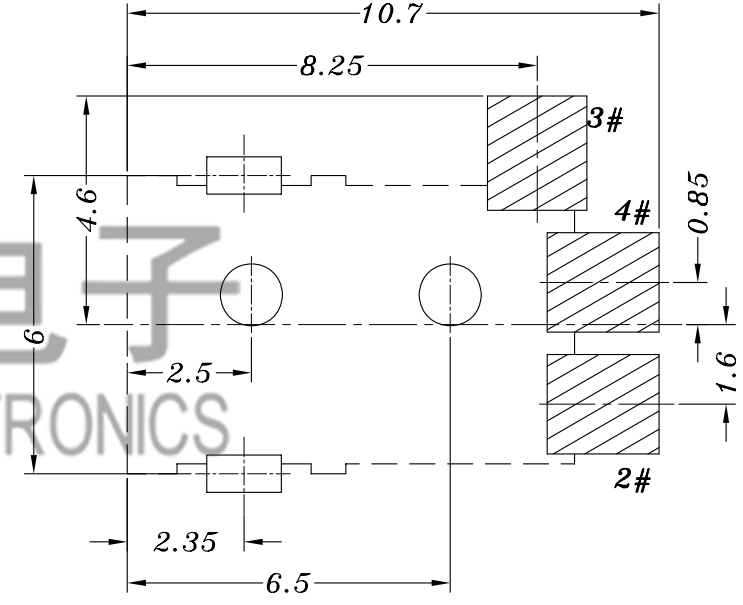
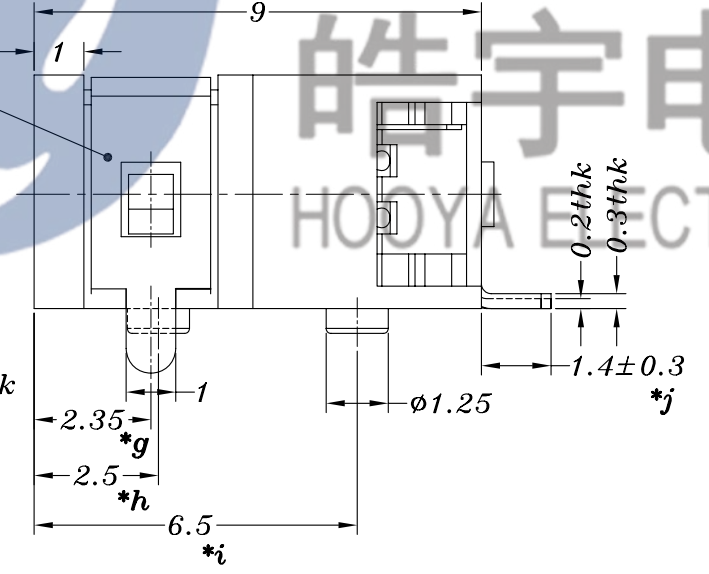
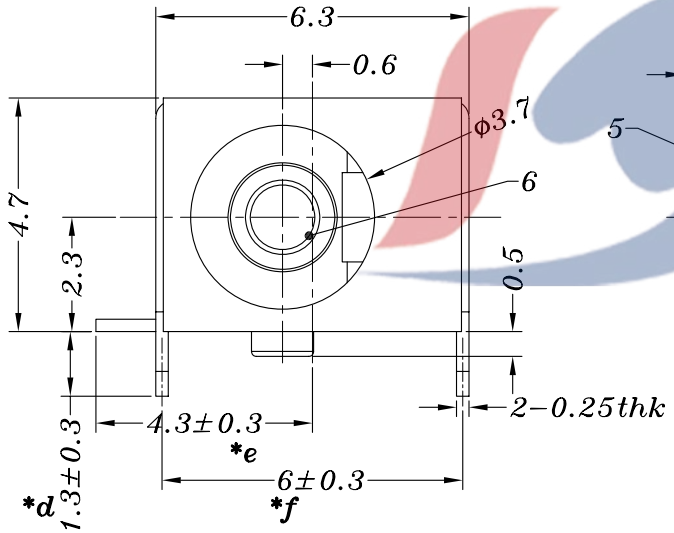
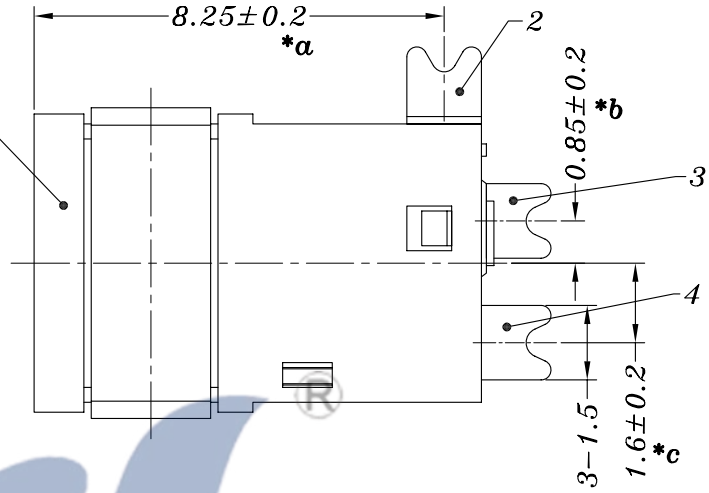
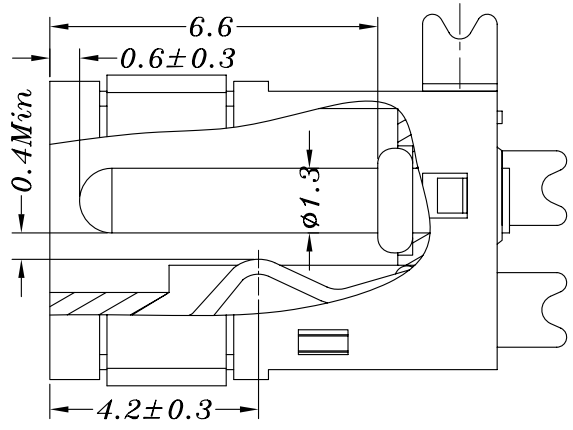
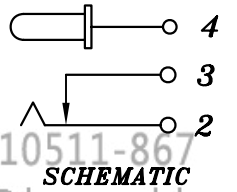


HAOYU



电话 : 0769-82310511-867
 邮箱 : hooya89@hooya.hk
 V : hooya89



P.C.B LAYOUT

PIN	φ1.0	φ1.3
APPD.		

NO.	PART NAME	MATERIAL	QTY	FINISHING	TOLERANCE UNLESS SPECIFIED					
6	DC-045 PING	BRASS	1	Ni PLATED	UP TO 5mm: ±0.1	ANGULAR	1			
5	COVER	SUS	1	Ag PLATED	ABOVE 5mm: ±0.2	±1°	NO	DATE	REVISIONS	BY APPD
4	DC-045 2#SPRING	SUS	1	Ag PLATED	TITLE:DC JACK		UNIT : MM	ROHS COMPLIANT	DWN	
3	DC-045 4#FLAT PIECE	BRASS	1	Ag PLATED	MODEL:DC-045A 1.3 LCP		SCALE: 6:1		CHK'D	
2	DC-045 3#CURVE PIECE	BRASS	1	Ag PLATED	HOOYA ELECTRONIC CO. LTD 皓宇电子有限公司				APPD	
1	DC-045 CASE	PA9T/LCP	1	BLACK					PRO.AGL:	