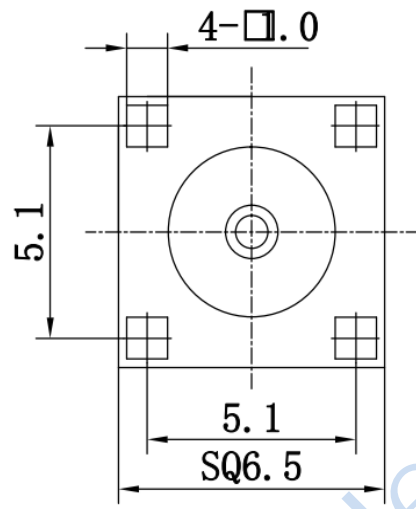
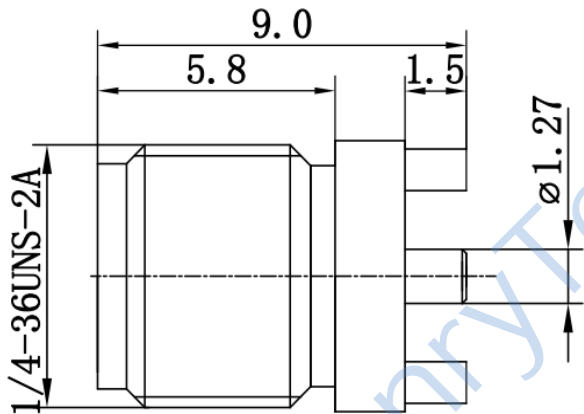
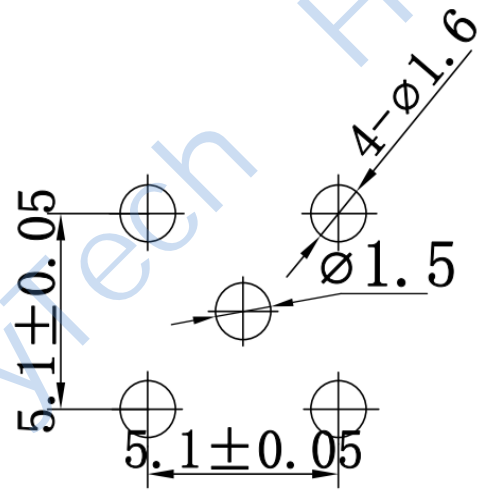


This document contains proprietary information and such information may not be disclosed to others for any purposes, not used for sales/marketing/procurement purposes without written permission

REV	DESCRIPTION OF REVISION	ECN NO.	BY	DATE	APPROVED
A	Initial Release	—	H.wei	19/03/17	19/03/17



- 1 Electrical**
 - 1.1 Impedance: 50 Ω
 - 1.2 Frequency: DC~6.0GHz
 - 1.3 VSWR: ≤1.30
 - 1.4 Insulation resistance: ≥5000M Ω
 - 1.5 Dielectric strength: 1000V
 - 1.6 Center contact ≤ 3.0m Ω
 - 1.7 Outer contact ≤ 2.0m Ω
- 2 Environmental&Mechanical**
 - 2.1 Temperature range: -55℃~+125℃
 - 2.2 RoHS Compliant
 - 2.3 Durability: >500 cycles
- 3 Materials&Finish**
 - 3.1 Body: Brass, Gold plated
 - 3.2 Insulator: Teflon
 - 3.3 Contact Pin: Beryllium-Copper, Gold plated



Notes:
 1. ALL SPECIFICATIONS ARE SUBJECT TO CHANGE NOTICE AT ANY TIME
 2. CUSTOMER OUTLINE DRAWING FOR REFERENCE ONLY

DRAWN: H.wei 19/03/17 ENGINEER: L.yu 19/03/17 APPROVED: W.yi 19/03/17 TOLERANCES UNLESS OTHERWISE SPECIFIED X ±0.50 .X ±0.20 .XX ±0.10 ANGLES ±1°	TITLE: RF Connector SMA Female Connector For PCB	
PART NO: HL-SMA-KHD2	SIZE: A4	SCALE: N/A
	SHEET: 1/1	REV: A

DIMENSION IN MILLIMETERS (mm)