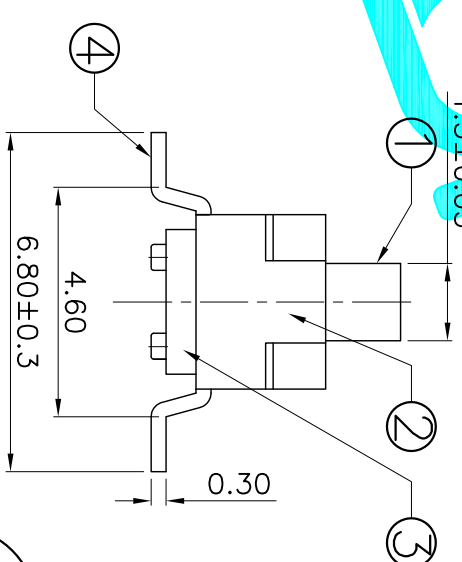
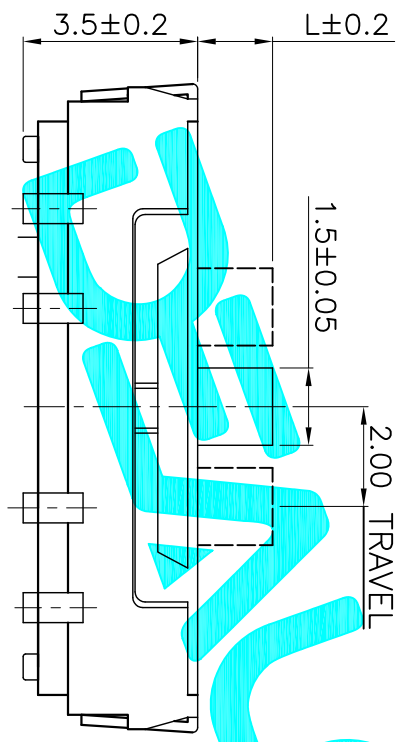


PCB Layout (Pattern side)



PART NO.	L	Operating force
MS-23D22-G2	2	250±100gf
MS-23D22-G3	3	
MS-23D22-G4	4	

ITEM	PART NAME	QTY.	MATERIAL	FINISHING
⑤	Contact Spring	2	Beryllium copper	Ag Plated
④	Terminal	8	Brass Strip	Ag Plated
③	Base	1	NYLON	Black
②	Cover	1	SUS	Natural
①	KNOB	1	NYLON	White

APPROVALS		DATE	EDELON ELECTRONICS CO., LTD	
DRAWN	G.M.Chen	2014/8/18	SLIDE SWITCHES	
CHECKED				
APPROVALS				

ECN NO.	REV.	DATE.	DESCRIPTION.	CHANGE.	CHECK.	APPRO.	TOLERANCES ARE	ANGLE	UNIT:	SCALE:	SHEET	PROJ.
	A		NEW				30 ^{±0.15} 10 ^{±0.30} 5 ^{±0.10}	±2°	mm	1:1	1 OF 1	