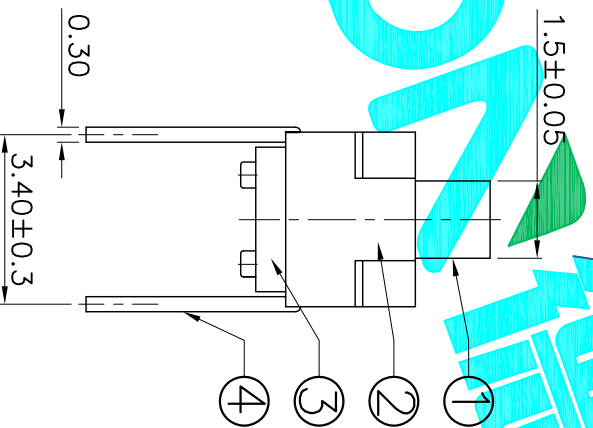
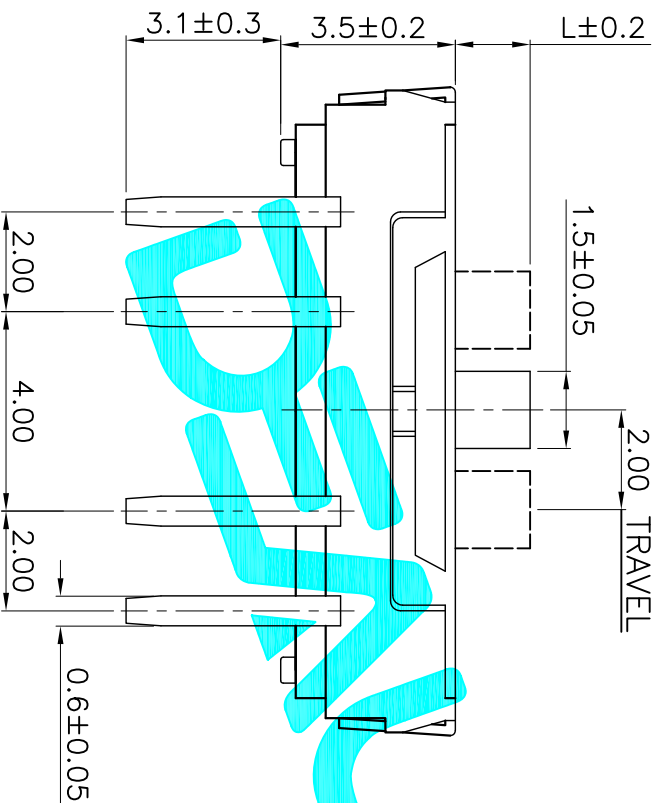
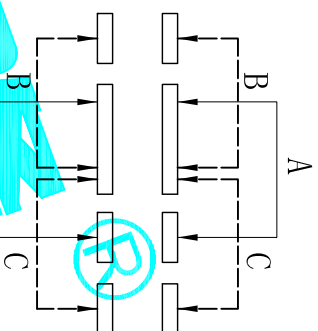


PCB Layout (Pattern side)



PART NO.	L	Operating force
MS-23D18-G2	2	250±100gf
MS-23D18-G3	3	
MS-23D18-G4	4	

ITEM	PART NAME	QTY.	MATERIAL	FINISHING
⑤	Contact Spring	2	Beryllium copper	Ag Plated
④	Terminal	8	Brass Strip	Ag Plated
③	Base	1	NYLON	Black
②	Cover	1	SUS	Natural
①	KNOB	1	NYLON	White

APPROVALS		DATE	TITLE:
DRAWN	G.M.Chen	2014/8/18	ELECTRONICS CO.,LTD
CHECKED			SLIDE SWITCHES
APPROVALS			MS-23D18-G

ECN NO.	REV.	DATE.	DESCRIPTION.	CHANGE.	CHECK.	APPRO.	TOLERANCES ARE	30°±0.1°	±0.30	ANGLE	PART NO.	SCALE:	SHEET
	A		NEW				10±0.30	±0.20		±2°	MS-23D18-G	1:1	1 OF 1
							5±0.10	±0.15					PROJ.