

4

3

2

1

THIS DRAWING IS UNPUBLISHED.

RELEASED FOR PUBLICATION

1996

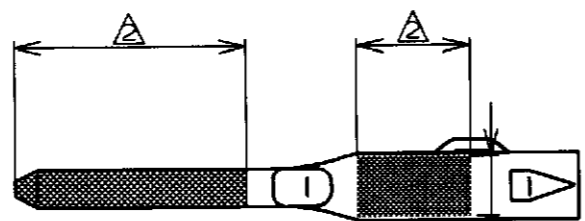
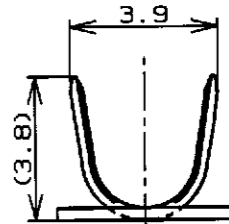
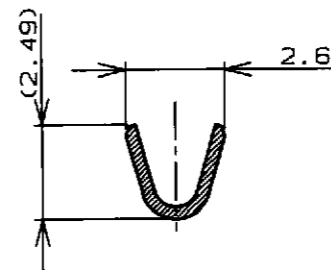
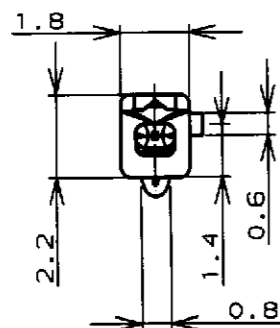
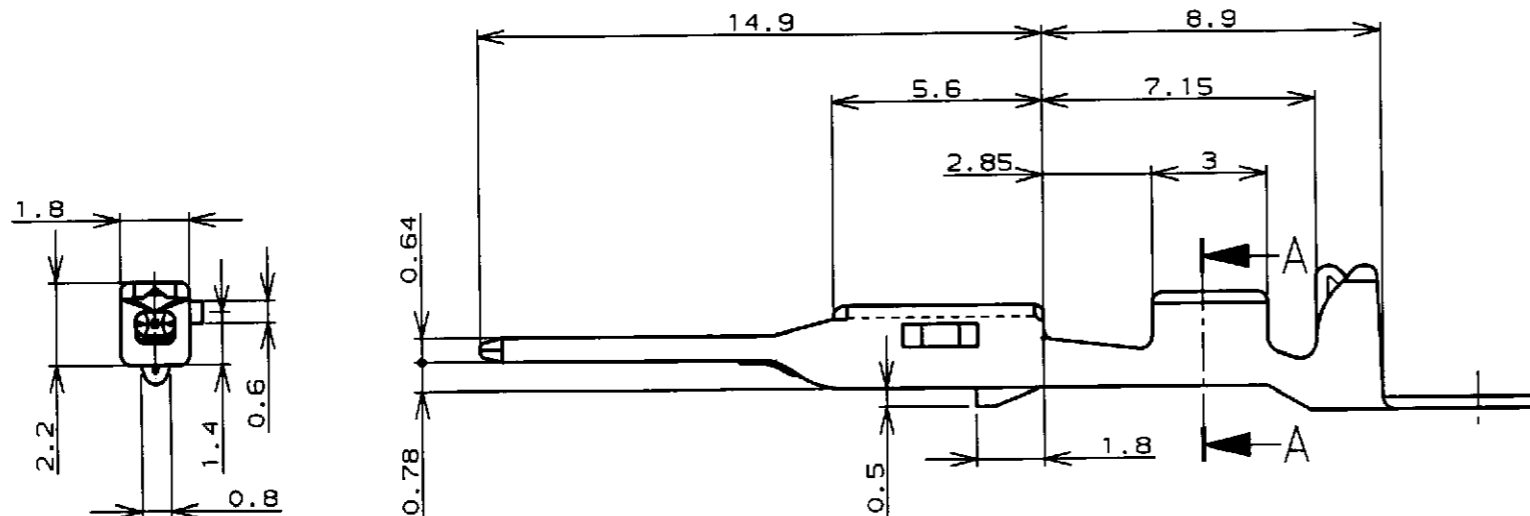
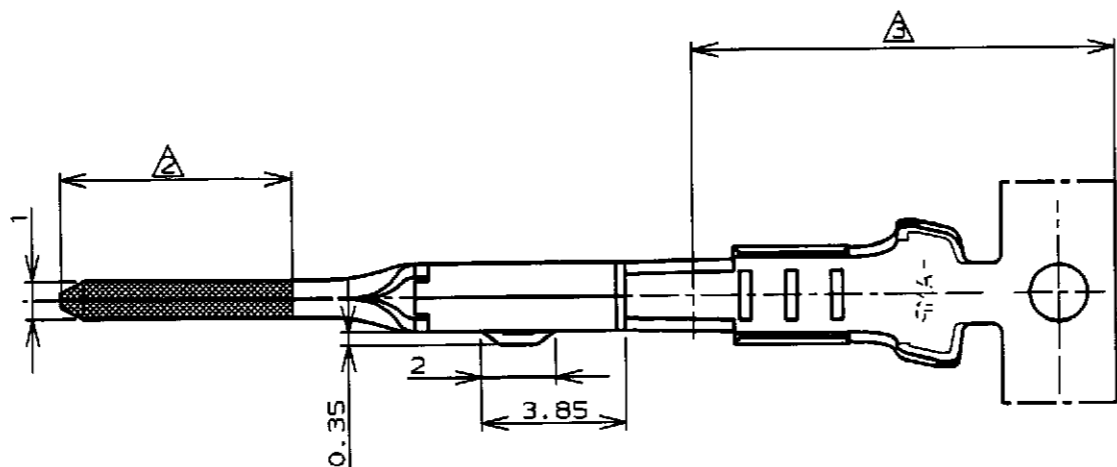
LOC DIST
J -

REVISIONS

© COPYRIGHT 1996

BY AMP INCORPORATED, ALL RIGHTS RESERVED.

P	LTR	DESCRIPTION	ECN	DATE	DWN	APVD
	0	DRAWN	FJ00-4529-96	4/24'96	HY	NS
	A	REVISED	FJ00-5196-96	9/17'96	SO	KO
	B	REVISED	FJ00-1823-97	08DEC97	HY	NS
	C	REVISED	FJ00-2179-98	26JAN99	HY	NS



注記;
 △ 適用電線: AVSS,CAVS 0.3~0.5mm²
 △ 金めつき範囲(-2のみ).
 △ すずめつき範囲(-2のみ).

NOTES;
 1. APPLICABLE WIRE RANGE ;
 AVSS,CAVS 0.3~0.5mm²
 △ GOLD PLATING AREA (-2 ONLY)
 △ TIN PLATING AREA (-2 ONLY)

SELECTIVE GOLD/TIN (部分金めつき/すずめつき)	316834-2
PRE-TINNED (すずめつき)	316834-1
FINISH (仕上)	PART NUMBER (型番)

THIS DRAWING IS A CONTROLLED DOCUMENT FOR AMP INCORPORATED. IT IS SUBJECT TO CHANGE AND THE CONTROLLING ENGINEERING ORGANIZATION SHOULD BE CONTACTED FOR THE LATEST REVISION.		DWN H. YAMAGAMI 4/24'96		AMP 日本エー・エム・ピー株式会社 Kawasaki, Japan	
DIMENSIONS: 単位: 概 mm		TOLERANCES UNLESS OTHERWISE SPECIFIED		APVD T. KOHNO 4/25'96	
MATERIAL 材料 BRASS 黄銅		FINISH 仕上 SEE TABLE 表参照		NAME N. SAI 名称	
PRODUCT SPEC 製品規格 - - -		APPLICATION SPEC 取付適用規格 114-5227		DRAWING NO 番号 C-316834	
WEIGHT 0.34g		CUSTOMER DRAWING		SIZE A3	
SCALE 尺度 5-1		SHEET 1 OF 1		REV C	