

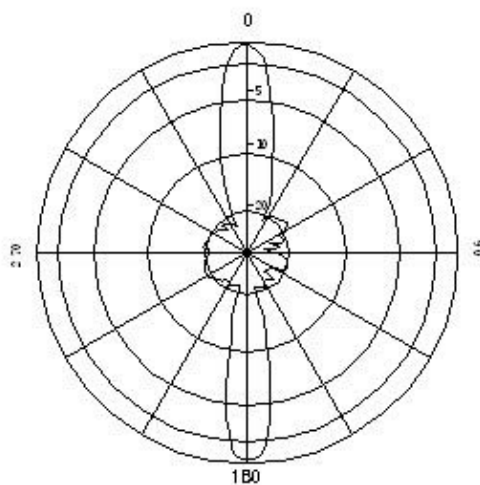
# WIFI Rubber Antenna Specification



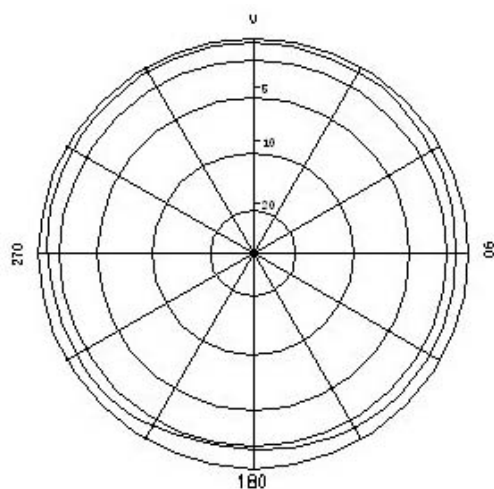
## Main Technical Specifications

<b>Frequency Range</b>	2400-2500MHz
<b>Gain</b>	9DB
<b>VSWR</b>	≤1.5:1
<b>Input Impedance</b>	50ohm
<b>Polarization Type</b>	Vertical
<b>Radiation</b>	Omni
<b>Max Input power</b>	50w
<b>Antenna Length</b>	295mm
<b>Connector Type</b>	SMA/BNC etc.
<b>Antenna Color</b>	Black
<b>Storage Temperature</b>	-30°C to +75°C

## Characteristic curve



Vertical Pattern



Horizontal Pattern

	FRE (MHz)	Max dBi	Min dBi
	2400	9.13	8.97
	2450	9.25	9.06
	2500	9.16	9.02